



MANUALE TECNICO

TENDE A RULLO SCREEN



Indice – Tende a Rullo SCREEN

Denominazione del prodotto CE	3	SCREEN ZIP	120
		Specificazione base del prodotto	121
SCREEN ALFA-ZIP	6	Misurazione e montaggio	126
Specificazione base del prodotto	7		
Comando a manovella	8	SCREEN ZIP ECONOMY	133
Comando a motore	11	Specificazione base del prodotto	134
Misurazione e montaggio	24	Misurazione e montaggio	138
SCREEN ALFA-ZIP SOLAR	37	SCREEN GW	141
		Specificazione base del prodotto	142
SCREEN ALFA PLUS-ZIP	39	Misurazione e montaggio	145
Specificazione base del prodotto	40		
Comando a motore	43	SCREEN LITE	152
Misurazione e montaggio	51	Specificazione base del prodotto	153
		Misurazione e montaggio	156
SCREEN HR7	67		
Specificazione base del prodotto	68	SCREEN ZIP, ZIP ECONOMY, GW, LITE	160
Misurazione e montaggio	78	Comando a manovella	160
		Comando a motore	162
SCREEN HR8-ZIP	82		
Specificazione base del prodotto	83	SCREEN SKY	163
		Specificazione base del prodotto	164
SCREEN HR7, HR8-ZIP	87	Misurazione e montaggio	166
Comando a manovella	87		
Comando a motore	88		
Montaggio	100		
Alimentazione solare HR8-ZIP	105		
SCREEN HR10-ZIP	107		
Specificazione base del prodotto	108		
Misurazione e montaggio	115		


I prodotti in questo gruppo di assortimento sono sempre misurati dall'interno.

A causa del continuo sviluppo dei nostri prodotti, ci riserviamo il diritto di apportare lievi modifiche al design rispetto alle illustrazioni.

ISOTRA *Quality*

Un marchio che simboleggia la tradizione, inestimabili investimenti nello sviluppo, l'uso di materiali di alta qualità, la tecnologia di livello avanzato, il lavoro di centinaia di dipendenti e molte altre caratteristiche, che creano un insieme unico, ossia il prodotto finale della società ISOTRA.

Denominazione del prodotto CE

ISOTRA 

DECLARATION OF PERFORMANCE

No. 001/2013

Producer: **ISOTRA a.s., Bílovecká 2411/1, 746 01 Opava, IČ: 47679191**

Hereby declares that:

Type: **SCREEN – outside curtains (outside roller blind) with motor driving**

Model: **ZIP**

Has been designed and manufactured in conformity with Regulation (EU) No 305/2011 of the European Parliament and of the Council (CPR).

Product description and designed use:

Screen ZIP is a product of interior and exterior shading technique, which has vertically mounted tube with winding fabrics. Screen ZIP is operated with motor. Control may be to the left or right side of the roller. The engine upper and lower roller position is determined electronically within the engine.

SCREEN ZIP is unique screen system. Thanks to the special guidance of the fabric in the side rails SCREEN ZIP substantially increases resistance to wind shutters in the closed position partially replaces anti-insect screen.

The product is used for shading according to the type of fabric up to 100%, to protect against glare (the sun, streetlights, car), to adjust the intensity of light passing through from the exterior to protect privacy (before observing from the outside) and complete blackout.

The product is designed for installation into the jamb. The blind is mounted with the help of screws with anchors on the wall before opening the window or the window frame.

Evaluation system: 4

Product evaluation according system 4 was performed by:

Product evaluation was made by component supplier: RESTENDE S.r.l, Via Ghiringella, 74 – 20864 Agrate Brianza (MB), Italy

Declared performance:


Essential characteristics	Performance	Harmonized standard
Wind resistance	3	EN 13561:2009

The performance of ZIP is in conformity with the performance declared in declared performance.


ZIP does not contain substances which are within the meaning of Article 33 of the European Parliament and Council Regulation (EC) No 1907/2006 (REACH) subject to the obligation to inform the customer.

This declaration has been issued under the sole responsibility of the manufacturer.

Opava: 01. 07. 2013


Ing. Bohumír Blachut
General manager

ISOTRA a.s., Bílovecká 2411/1, 746 01 Opava
tel.: +420 553 885 111, fax: +420 553 885 110

ISOTRA 

DECLARATION OF PERFORMANCE

No. 002/2013

Producer: **ISOTRA a.s., Bílovecká 2411/1, 746 01 Opava, IČ: 47679191**

Hereby declares that:

Type: **SCREEN – outside curtains (outside roller blind) with motor driving**

Model: **GW**

Has been designed and manufactured in conformity with Regulation (EU) No 305/2011 of the European Parliament and of the Council (CPR).

Product description and designed use:

Screen GW is a product of interior and exterior shading technique, which has vertically mounted tube with winding fabrics. Screen GW is operated with motor or manually. Control may be to the left or right side of the roller. The engine upper and lower roller position is determined electronically within the engine.

SCREEN GW is a modern element of shading. The product is suitable for shading both interior and exterior and is suitable for both office buildings and houses. SCREEN GW is offered with a cover profile with the possibility to operate by the side cable or guide rail.

The product is used for shading according to the type of fabric up to 100%, to protect against glare (the sun, streetlights, car), to adjust the intensity of light passing through from the exterior to protect privacy (before observing from the outside) and for complete blackout.

The product is designed for installation into the jamb. The blind is mounted with the help of screws with anchors on the wall before opening the window or the window frame.

Evaluation system: 4

Product evaluation according system 4 was performed by:

Product evaluation was made by component supplier: RESTENDE S.r.l, Via Ghiringella, 74 – 20864 Agrate Brianza (MB), Italy

Declared performance:


Essential characteristics	Performance	Harmonized standard
Wind resistance	3	EN 13561:2009

The performance of SCREEN GW is in conformity with the performance declared in declared performance.


SCREEN GW does not contain substances which are within the meaning of Article 33 of the European Parliament and Council Regulation (EC) No 1907/2006 (REACH) subject to the obligation to inform the customer.

This declaration has been issued under the sole responsibility of the manufacturer.

Opava: 01. 07. 2013


Ing. Bohumír Blachut
General manager

ISOTRA a.s., Bílovecká 2411/1, 746 01 Opava
tel.: +420 553 885 111, fax: +420 553 885 110

ISOTRA 

DECLARATION OF PERFORMANCE

No. 003/2013

Producer: **ISOTRA a.s., Bílovecká 2411/1, 746 01 Opava, IČ: 47679191**

Hereby declares that:

Type: **SCREEN – outside curtains (outside roller blind) with motor driving**

Model: **LITE**

Has been designed and manufactured in conformity with Regulation (EU) No 305/2011 of the European Parliament and of the Council (CPR).

Product description and designed use:

Screen LITE is a product of interior and exterior shading technique, which has vertically mounted tube with winding fabrics. Screen LITE is operated with motor or manually. Control may be to the left or right side of the roller. The engine upper and lower roller position is determined electronically within the engine.

SCREEN LITE is a lightweight variant of SCREEN GW. SCREEN LITE is offered with a cover profile with the possibility to operate by the side cable or guide rail.

The product is used for shading according to the type of fabric up to 100%, to protect against glare (the sun, streetlights, car), to adjust the intensity of light passing through from the exterior to protect privacy (before observing from the outside) and for complete blackout.

The product is designed for installation into the jamb. The blind is mounted with help of screws with anchors on the wall before opening the window or the window frame.

Evaluation system: 4

Product evaluation according system 4 was performed by:

Product evaluation was made by component supplier: RESTENDE S.r.l, Via Ghiringella, 74 – 20864 Agrate Brianza (MB), Italy

Declared performance:


Essential characteristics	Performance	Harmonized standard
Wind resistance	3	EN 13561:2009

The performance of SCREEN LITE is in conformity with the performance declared in declared performance.


SCREEN LITE does not contain substances which are within the meaning of Article 33 of the European Parliament and Council Regulation (EC) No 1907/2006 (REACH) subject to the obligation to inform the customer.

This declaration has been issued under the sole responsibility of the manufacturer.

Opava: 01. 07. 2013


Ing. Bohumír Blachut
General manager

ISOTRA a.s., Bílovecká 2411/1, 746 01 Opava
tel.: +420 553 885 111, fax: +420 553 885 110

ISOTRA 

DECLARATION OF PERFORMANCE

No. 035/2013

Producer: **ISOTRA a.s., Bílovecká 2411/1, 746 01 Opava, IČ: 47679191**

Hereby declares that:

Type: **SCREEN – outside curtains (outside roller blind) with motor driving**

Model: **ZIP ECONOMY**

Has been designed and manufactured in conformity with Regulation (EU) No 305/2011 of the European Parliament and of the Council (CPR).

Product description and designed use:

Screen ZIP ECONOMY is a product of interior and exterior shading technique, which has vertically mounted tube with winding fabrics. Launch and recovery controls the motor. Control may be to the left or right side of the roller. The engine upper and lower roller position is determined electronically within the engine.

SCREEN ZIP ECONOMY is unique screen system. Thanks to the special guidance of the fabric in the side rails SCREEN ZIP ECONOMY substantially increases resistance to wind shutters in the closed position partially replaces anti-insect screen.

The product is used for shading according to the type of fabric up to 100%, to protect against glare (the sun, streetlights, car), to adjust the intensity of light passing through from the exterior to protect privacy (before observing from the outside) and complete blackout.

The blind is mounted screws with anchors on the wall before opening the window or the window frame only with the front mounting of the guide rail.

Evaluation system: 4

Product evaluation according system 4 was performed by:

Product evaluation made by: CSI, a.s. Praha, pracoviště Zlín, K Cibulné 304, 764 32 Zlín – Louky a vydal hodnocení HSZ-13-014/OV.

Declared performance:


Essential characteristics	Performance	Harmonized standard
Wind resistance	3	EN 13561:2009

The performance of ZIP ECONOMY is in conformity with the performance declared in declared performance.

ZIP ECONOMY does not contain substances which are within the meaning of Article 33 of the European Parliament and Council Regulation (EC) No 1907/2006 (REACH) subject to the obligation to inform the customer.

This declaration has been issued under the sole responsibility of the manufacturer.

Opava: 01. 09. 2014


Ing. Bohumír Blachut
General Manager

ISOTRA a.s., Bílovecká 2411/1, 746 01 Opava
tel.: +420 553 885 111, fax: +420 553 885 110




DECLARATION OF PERFORMANCE

No. 030/2017

Producer: **ISOTRA a.s., Bilovecká 2411/1, 746 01 Opava, IČ: 47679191**

Hereby declares that:

Type: **SCREEN – outside curtains (outside roller blind) with motor driving**

Model: **HR7**

Has been designed and manufactured in conformity with Regulation (EU) No 305/2011 of the European Parliament and of the Council (CPR).

Product description and designed use:
The product is used for shading according to the type of fabric up to 100%.

Evaluation system: 4
 Harmonized standard:
EN 13561:2015

Declared performance:

Essential characteristics	Performance
Wind resistance	Class 2
Thermal transmittance value g_{gl}	0,03 - 0,6 (according to selected fabric)*

*valid for glazing with parameters $g = 0,59$ and $U_g = 1,2$ W/m²K

The performance of HR7 is in conformity with the performance declared in declared performance.
 This declaration has been issued under the sole responsibility of the manufacturer ISOTRA a.s., Bilovecká 2411/1, 746 01 Opava.

Opava, 01. 02. 2017





ISOTRA a.s., Bilovecká 2411/1, 746 01 Opava - www.isotra.cz
 Tel: +420 553 605 102 - 6 476 79 191

Ing. Petr Sedláček
Quality manager

ISOTRA a.s., Bilovecká 2411/1, 746 01 Opava, IČ: 47679191
 W: +420 553 605 111, fax: +420 553 605 110

zpracováno v elektronickém systému Certifikace výrobků, verze 2.0 (2015)
 © ISOTRA s.r.o. 2017

DECLARATION OF PERFORMANCE

No. 031/2017

Producer: **ISOTRA a.s., Bilovecká 2411/1, 746 01 Opava, IČ: 47679191**

Hereby declares that:

Type: **SCREEN – outside curtains (outside roller blind) with motor driving**

Model: **HRS-ZIP**

Has been designed and manufactured in conformity with Regulation (EU) No 305/2011 of the European Parliament and of the Council (CPR).

Product description and designed use:
The product is used for shading according to the type of fabric up to 100%.

Evaluation system: 4
 Harmonized standard:
EN 13561:2015


Declared performance:

Essential characteristics	Performance
Wind resistance	Class 3
Thermal transmittance value g_{gl}	0,03 - 0,6 (according to selected fabric)*

*valid for glazing with parameters $g = 0,59$ and $U_g = 1,2$ W/m²K

The performance of HRS-ZIP is in conformity with the performance declared in declared performance.
 This declaration has been issued under the sole responsibility of the manufacturer ISOTRA a.s., Bilovecká 2411/1, 746 01 Opava.

Opava, 01. 02. 2017



ISOTRA a.s., Bilovecká 2411/1, 746 01 Opava - www.isotra.cz
 Tel: +420 553 605 102 - 6 476 79 191

Ing. Petr Sedláček
Quality manager

ISOTRA a.s., Bilovecká 2411/1, 746 01 Opava, IČ: 47679191
 W: +420 553 605 111, fax: +420 553 605 110

zpracováno v elektronickém systému Certifikace výrobků, verze 2.0 (2015)
 © ISOTRA s.r.o. 2017




DECLARATION OF PERFORMANCE

č. 050/2020

Producer: **ISOTRA a.s., Bilovecká 2411/1, 746 01 Opava, IČ: 47679191**

Hereby declares that:

Type: **SCREEN – outside curtains (outside roller blind) with motor driving**

Model: **SCREEN ALFA-ZIP**

Has been designed and manufactured in conformity with Regulation (EU) No 305/2011 of the European Parliament and of the Council (CPR).

Product description and designed use:
The product is used for shading according to the type of fabric up to 100%.

Evaluation system: 4
 Harmonized standard:
EN 13561:2015

Declared performance:

Essential characteristics	Performance
Wind resistance	Class 6
Thermal transmittance value g_{gl}	0,03 - 0,6 (according to selected fabric)*

*valid for glazing with parameters $g = 0,59$ and $U_g = 1,2$ W/m²K

The performance of SCREEN ALFA-ZIP is in conformity with the performance declared in declared performance.
 This declaration has been issued under the sole responsibility of the manufacturer ISOTRA a.s., Bilovecká 2411/1, 746 01 Opava.

Opava, 1. 07. 2020





ISOTRA a.s., Bilovecká 2411/1, 746 01 Opava - www.isotra.cz
 Tel: +420 553 605 102 - 6 476 79 191

Ing. Petr Sedláček
Quality manager

ISOTRA a.s., Bilovecká 2411/1, 746 01 Opava, IČ: 47679191
 W: +420 553 605 111, fax: +420 553 605 110

zpracováno v elektronickém systému Certifikace výrobků, verze 2.0 (2015)
 © ISOTRA s.r.o. 2017

Declaration of Performance

No. 051/2020

Manufacturer: **ISOTRA a. s., Bilovecká 2411/1, CZ-74601 Opava, CZ, ID No.: 47679191**

hereby declares that

type: **SCREEN**

product: **SCREEN ALFA PLUS-ZIP**

was designed and manufactured in accordance with Regulation (EU) No. 305/2011 of the European Parliament and of the Council (CPR).

Intended use:
External sun screen.

System of assessment and verification of constancy of performance:
System 4

Harmonised standard:
EN 13659:2015

Characteristics declared:

Basic characteristics	Characteristic
Wind resistance	Class 6
Total solar transmittance factor g_{gl}	0,03-0,6 (depends on the fabric selected)*

*Applies to glazing with the following parameters: $g = 0,59$, $U_g = 1,2$ W/m²K

The properties of the products SCREEN ALFA PLUS-ZIP conform to the properties specified in the above table Characteristics declared.
 This Declaration of Performance has been issued under the sole responsibility of ISOTRA a. s., Bilovecká 2411/1, CZ-74601 Opava, Czech Republic.

Opava, 01.04.2021

Ing. Petr Sedláček
Quality Manager

ISOTRA a.s., Bilovecká 2411/1, 746 01 Opava, IČ: 47679191
 W: +420 553 605 111, fax: +420 553 605 110

zpracováno v elektronickém systému Certifikace výrobků, verze 2.0 (2015)
 © ISOTRA s.r.o. 2017

ISOTRA CE

DECLARATION OF PERFORMANCE
č. 034/2017

Producer: **ISOTRA a.s., Bilovecká 2411/1, 746 01 Opava, IČ: 47679191**

Hereby declares that:

Type: **SCREEN – outside curtains (outside roller blind) with motor driving**

Model: **HR10-ZIP**

Has been designed and manufactured in conformity with Regulation (EU) No 305/2011 of the European Parliament and of the Council (CPR).

Product description and designed use:
The product is used for shading according to the type of fabric up to 100%.

Evaluation system: 4
Harmonized standard:
EN 13561:2015

Declared performance:

Essential characteristics	Performance
Wind resistance	Class 3
Thermal transmittance value g_{tot}	0,03 - 0,6 (according to selected fabric)*

*valid for glazing with parameters $g = 0,39$ and $U_g = 1,2$ W/m²K

The performance of HR10-ZIP is in conformity with the performance declared in declared performance.
This declaration has been issued under the sole responsibility of the manufacturer ISOTRA a.s., Bilovecká 2411/1, 746 01 Opava.

Opava, 1. 02. 2018

ISOTRA
ISOTRA a.s., Bilovecká 2411/1
746 01 Opava - www.isotra.cz
tel.: +420 583 663 111 - e: info@isotra.cz

Ing. Petr Sedláček
Quality manager

ISOTRA a.s., Bilovecká 2411/1, 746 01 Opava
tel.: +420 583 663 111 - e: info@isotra.cz

ISOTRA CE

Declaration of Properties
No. 036/2017

Manufacturer: **ISOTRA a. s., Bilovecká 2411/1, 746 01 Opava, ID No.: 47679191**

hereby declares that:

type: **SCREEN – exterior motor-driven shade (exterior roller blind)**

product: **SCREEN SKY**

was designed and manufactured in accordance with Regulation (EU) No 305/2011 of the European Parliament and of the Council (CPR).

Product description and designed use:
The product is used for shading according to the type of fabric up to 100%.

Evaluation system: 4
Harmonized standard:
EN 13561:2015

Declared performance:

Essential characteristics	Performance
Wind resistance	Class 2
Thermal transmittance value g_{tot}	0,03 - 0,6 (according to selected fabric)*

*valid for glazing with parameters $g = 0,39$ and $U_g = 1,2$ W/m²K

The performance of SCREEN SKY is in conformity with the performance declared in declared performance.
This declaration has been issued under the sole responsibility of the manufacturer ISOTRA a.s., Bilovecká 2411/1, 746 01 Opava.

Opava, 01. 02. 2017

ISOTRA
ISOTRA a.s., Bilovecká 2411/1
746 01 Opava - www.isotra.cz
tel.: +420 583 663 111 - e: info@isotra.cz

Ing. Petr Sedláček
Quality manager

ISOTRA a.s., Bilovecká 2411/1, 746 01 Opava
tel.: +420 583 663 111 - e: info@isotra.cz

Dilatazione in lunghezza di tende a rullo schermanti

Se aumenta la temperatura di alluminio, il metallo si dilata; questo fenomeno si chiama dilatazione termica. Il coefficiente di dilatazione termica della lega di alluminio è 23,5 $\mu\text{m}/(\text{m} * \text{K})$.

Esempio:

La tenda a rullo schermante misura 4000 mm a 20 °C. Se raggiunge la temperatura di 50 °C – in un giorno di sole misurerà, a causa della dilatazione termica, 4003 mm. Come risultato della variazione della temperatura dell'alluminio, la struttura si allunga di +3 mm. Se la tenda a rullo schermante viene installata nelle strutture adiacenti, è necessario tener conto di un'eventuale variazione delle dimensioni di ingombro della lamiera, in base alla temperatura dell'ambiente.

Durante la misurazione e l'installazione delle tende a rullo schermanti è necessario tener conto della dilatazione termica del profilo in alluminio in base alla temperatura dell'ambiente. Si consiglia di prendere le misure ad una temperatura ambiente pari a 23 +/- 5°C.

SCREEN ALFA-ZIP

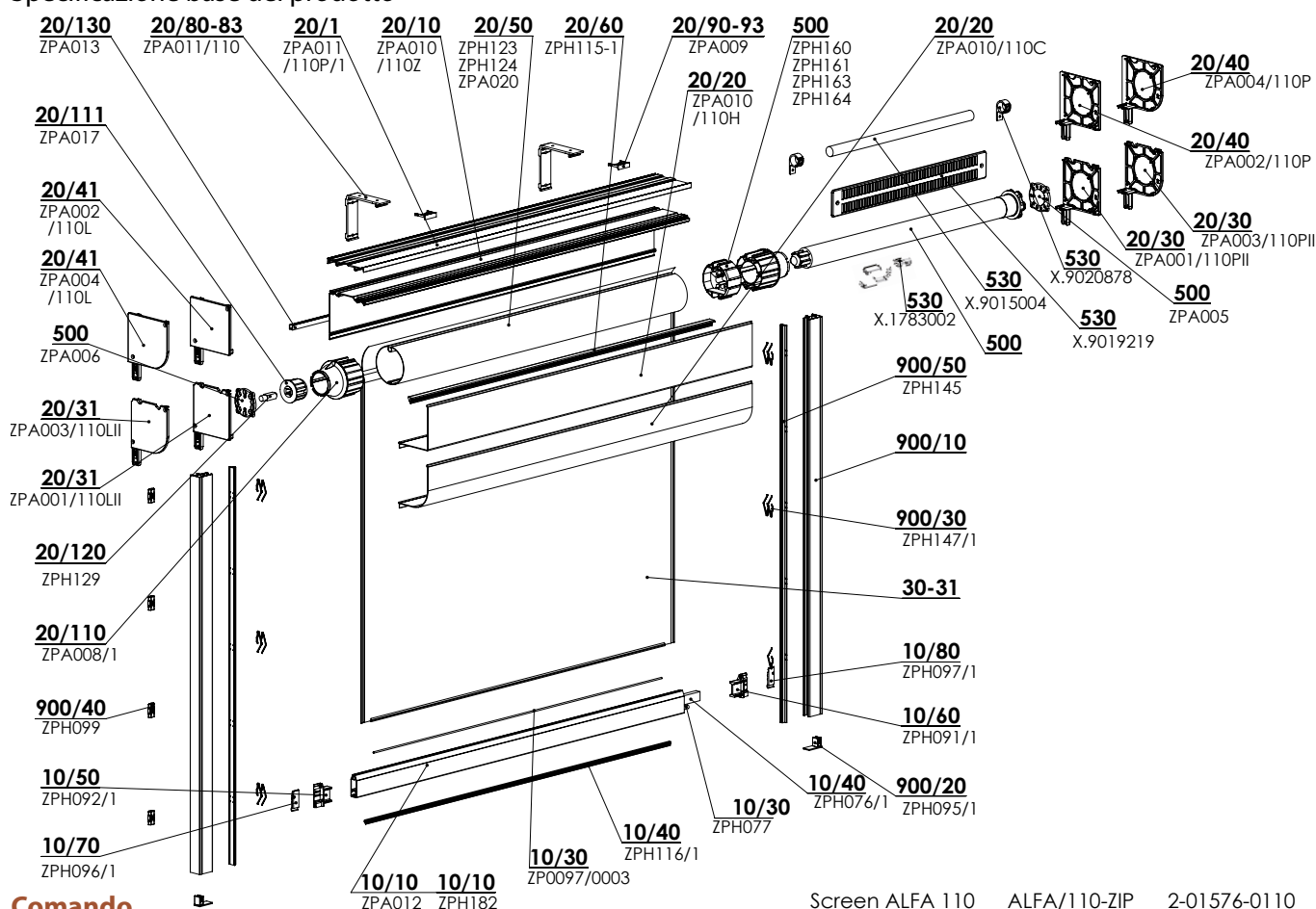


- ▲ 3 tipi di box moderni: quadrato per l'architettura semplice o arrotondato per edifici più tradizionali
- ▲ Lista inferiore bilanciata per la guida e il distendimento del tessuto
- ▲ Classe resistenza al vento 6
- ▲ Montaggio facile e veloce
- ▲ Area garantita di fino a 18 m²
- ▲ Possibilità di collegamento di fino a 3 tende a rullo
- ▲ Possibilità di alimentazione solare

ISOTRA *Quality*

SCREEN ALFA-ZIP

Specificazione base del prodotto




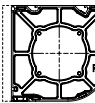
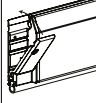

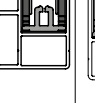

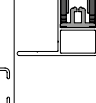
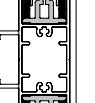
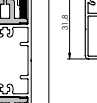
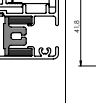


Comando

Serve a tirare su e giù le tende a rullo screen. Ci sono due tipi di comando disponibili:

A motore - motore asincrono tubulare standard Maestria Wt, o motore asincrono tubulare opzionale Maestria iO, Sunea Screen IO, Geiger, Altus RTS (larghezza minima della tende a rullo 795), comando ad alimentazione solare con motore Sunea 40 io a Sunea 40 RTS (larghezza minima della tende a rullo 595) Isostra Basic, Isostra Basic Solar 20/12, vedi pagina 37.

A manovella - meccanismo con filettatura autobloccante e ruota filettata, proporzione 1:4, arresto finale incorporato (impedisce l'avvolgimento del tessuto improprio).

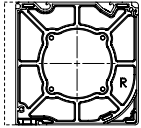
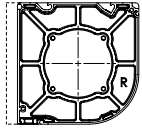
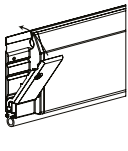
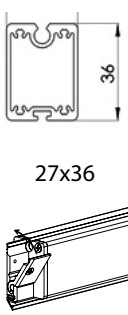
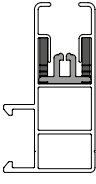
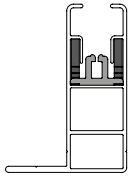
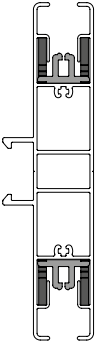
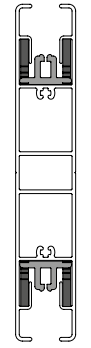
Specificazione (per il motore)

	Box		Profilo inferiore	Profilo inferiore	Guida laterale							
	quadrato	quarto rotondo	grande	grande	lista di guida							
Denominazione commerciale	BOX per SCREEN ALFA - 110		ZPA012	ZPH182	ZPA016 /839	ZPA016 /830	ZPH214 /837	ZPA016 /838	ZPH071	ZPH072	ZPA036/840-1	ZPA037/849
Dimensioni (mm)	90x90 110x110 150 x 150	90x90 110x110 150 x 150	18x50*	27x36**	30x40	20x40	40x70	40x40	30x80	20x80	31,8x40	41,8x40
Materiale	Al	Al	Al	Al	Al	Al	Al	Al	Al	Al	Al	Al
												
					tipo 839	tipo 830	tipo 837	tipo 838	tipo 865	tipo 866	tipo 840-1	tipo 849
Colore	Standard: RAL 9006 alluminio brillante RAL 9006S alluminio brillante struttura RAL 9007 alluminio grigiastro RAL 9007S alluminio grigiastro struttura RAL 9010 bianco puro RAL 9010M bianco puro opaco				RAL 9010S bianco puro struttura RAL 7016 grigio antracite RAL 7016M grigio antracite opaco RAL 7016S grigio antracite struttura RAL 8014M marrone seppia opaco RAL 8014S marrone seppia struttura				RAL 7021 grigio nerastro DB 702 grigio chiaro perla DB 703 grigio scuro perla altri colori RAL su richiesta*			

* per le scatole 90x90,110x110,150x150

** per le scatole 110x110,150x150 (per la manovella, per il motore)

Specificazione (per la manovella)

	Box		Profilo inferiore	Profilo inferiore	Guida laterale			
	quadrato	quarto rotondo	grande	grande	lista di guida			
Denominazione commerciale	BOX per SCREEN ALFA - 110		ZPA012	ZPH182	ZPH152	ZPH154	ZPH156	ZPH155
Dimensioni (mm)	90x90 110x110 150 x 150	90x90 110x110 150 x 150	18x50**	27x36***	30x55	40x55	30x110	20x110
Materiale	Al	Al	Al	Al	Al	Al	Al	Al
								
Colore	Standard: RAL 9006 alluminio brillante RAL 9007 alluminio grigiastro RAL 9010 bianco puro RAL 7016 grigio antracite			RAL 7016 grigio antracite struttura RAL 8014 marrone seppia RAL 7021 grigio nerastro			DB 703 DB 702 altri colori RAL su richiesta*	

*eccetto i pezzi in plastica

** Solo per box 90x90,110x110,150x150

*** per le scatole 110x110,150x150 (per la manovella, per il motore)

Tessuti di tipo Blackout:

In ogni tipo di montaggio, lo strato non trasparente è situato dalla parte della finestra. Nel caso del montaggio esterno, un forte vento può causare un leggero sollevamento della lista inferiore e del tessuto, e perciò non è sempre possibile garantire l'oscuramento al 100%. Nel caso dei tessuti Blackout, gli zip sono attaccati dalla parte di vista e non sullo strato non trasparente, e perciò è possibile che con un forte vento o uno sguardo inclinato sulla lista di guida sarà visibile un pezzo di tessuto del nastro zip, ma ciò ha solo una piccola importanza in confronto a una vista o la tenuta del tessuto (abbassamento dell'ondeggiamento).

Fenomeni comuni di tessuti tecnici

Un'increspatura del tessuto può apparire intorno alle saldature o nel centro del tessuto perché durante l'uso agiscono sul tessuto varie forze e perciò tale fenomeno è comune. Ne fa parte anche il cosiddetto "effetto da abete" quando il tessuto è increspato nella zona di cuciture. Dei visibili segni di pressione da parte del cilindro sul tessuto spariscono con temperature superiori, quando il tessuto si ripiana. La lista inferiore non arriva fino al box.

Effetti normali della tenda a rullo screen autoportante Alfa-ZIP

La tenda a rullo autoportante non dispone né del profilo di montaggio né della staffa parete/soffitto, per cui una leggera incurvatura del box per la larghezza della tenda è del tutto normale. Questa incurvatura crea uno spazio ottico tra il bordo superiore del box e la controsoffittatura, in cui si monta lo screen autoportante.

Dimensioni standard per box 90

Comando	Larghezza (mm)		Altezza (mm)		Area garantita (m ²)
	min.	max.	min.	max.	max.
manovella	400	3200**	400	2500*	8
motore RTS,iO,WT	795	3200**	400	2500*	8

* L'altezza massima con i tessuti STNZ, STNBZ, SCR4005, SLTZB92, SERGE 3Z e solo di 1800 mm

** La massima larghezza per la tenda a rullo screen autoportante Alfa-ZIP è 1500 mm.

Dimensioni standard per box 110

Comando	Larghezza (mm)		Altezza (mm)		Area garantita (m ²)
	min.	max.	min.	max.	max.
manovella	400	3900**	400	3500*, **	8
motore RTS,iO,WT	795	4200**	400	3500*, **	15

* L'altezza massima con i tessuti STNZ, STNBZ, SCR4005, SLTZB92, SERGE 3Z e solo di 2600 mm

** La massima larghezza per la tenda a rullo screen autoportante Alfa-ZIP è 3000 mm e la massima altezza 3000 mm.

Dimensioni standard per il box 150

Comando	Larghezza (mm)		Altezza (mm)		Area garantita (m ²)
	min.	max.	min.	max.	max.
manovella	400	3000	400	5000*	12
motore RTS, iO, WT	795	6000	400	5000*	18

NOTA: Non può essere usato per la tenda a rullo screen Alfa150 autoportante.

* Altezza massima con il tessuto STNBZ, SCR4005, SLTZB92 e soltanto 4500 mm

SCREEN ALFA-ZIP (2-01576-0110)

posizione	denominazione item	Denominazione commerciale	numero del disegno
10	Profili divisi - SCREEN ALFA - ZIP		vedi Profili divisi - SCREEN ALFA - ZIP
20	BOX per SCREEN ALFA 110 - QUARTO ROTONDO		vedi BOX per SCREEN ALFA - 110
20	BOX per SCREEN ALFA 110 - QUADRATO		vedi BOX per SCREEN ALFA - 110
30-31	Tessuto DIVISO (m2) per SCREEN		vedi il campionario SCREEN
50	Terminale della lista inferiore - sinistra nera	ZPH093/1	3-03657-9004
60	Terminale della lista inferiore - destra nera	ZPH094/1	3-03656-9004
70	Sicura del terminale della lista inferiore - sinistra nera	ZPH092/1	3-03659-9004
80	Sicura del terminale della lista inferiore - destra nera	ZPH091/1	3-03658-9004
160	Terminale dell'albero diam. 85mm - di passaggio	ZPA008/1	3-04003-9004
170	Inserto del terminale dell'albero - diam.50mm	ZPA017	3-03486-9004
180	Cavicchio della copertura del cilindro - 12mm Fe/Zn	ZPH129	6-013985-0000
210-213	Supporto Alfa 110 Parete-soffitto	ZPA011/110	3-03496-0000
220-223	Sicura parete-soffitto	ZPA009	3-03483-0000
500	Motori (SOMFY, GEIGER, BECKER) SCREEN SC700/800		vedi Motori SCREEN Alfa
530	Attrezzatura standard (Solar)		vedi Attrezzatura standard (Solar screen)
900-910	Guida - lista ALFA - SINISTRA/DESTRA		vedi Guida - lista - sinistra/destra

Profili divisi - SCREEN ALFA-ZIP (3-03390-0085)

posizione	denominazione item	denominazione commerciale	numero del disegno
10/10	Profilo inferiore Alfa	ZPA012	7-303495-0000
10/10	Profilo inferiore SC1000	ZPH182	6-015158-0000
10/30	Asta in plastica 3,0mm PVC	ZP0097/0003	6-016911-0003
10/30	Profilo dell'aggravamento della lista inferiore diam. 8mm - Fe/Zn	ZPH077	6-013966-0000
10/40	Guarnizione della lista inferiore	ZPH116/1	7-303664-0000
10/40	Profilo dell'aggravamento della lista inferiore diam. 20x12mm - Zn	ZPH076/1	3-04746-PU27
10/50	Tappo terminale della barra inferiore - sinistro nero	ZPH092/1	3-03657-9004
10/60	Tappo terminale della barra inferiore - destro nero	ZPH091/1	3-03656-9004
10/70	Fermo del tappo terminale della barra inferiore - sinistro	ZPH096/1	3-03659-9004
10/80	Fermo del tappo terminale della barra inferiore - destro	ZPH097/1	3-03658-9004

Guida - lista - sinistra/ destra (2-01580-PU11L)

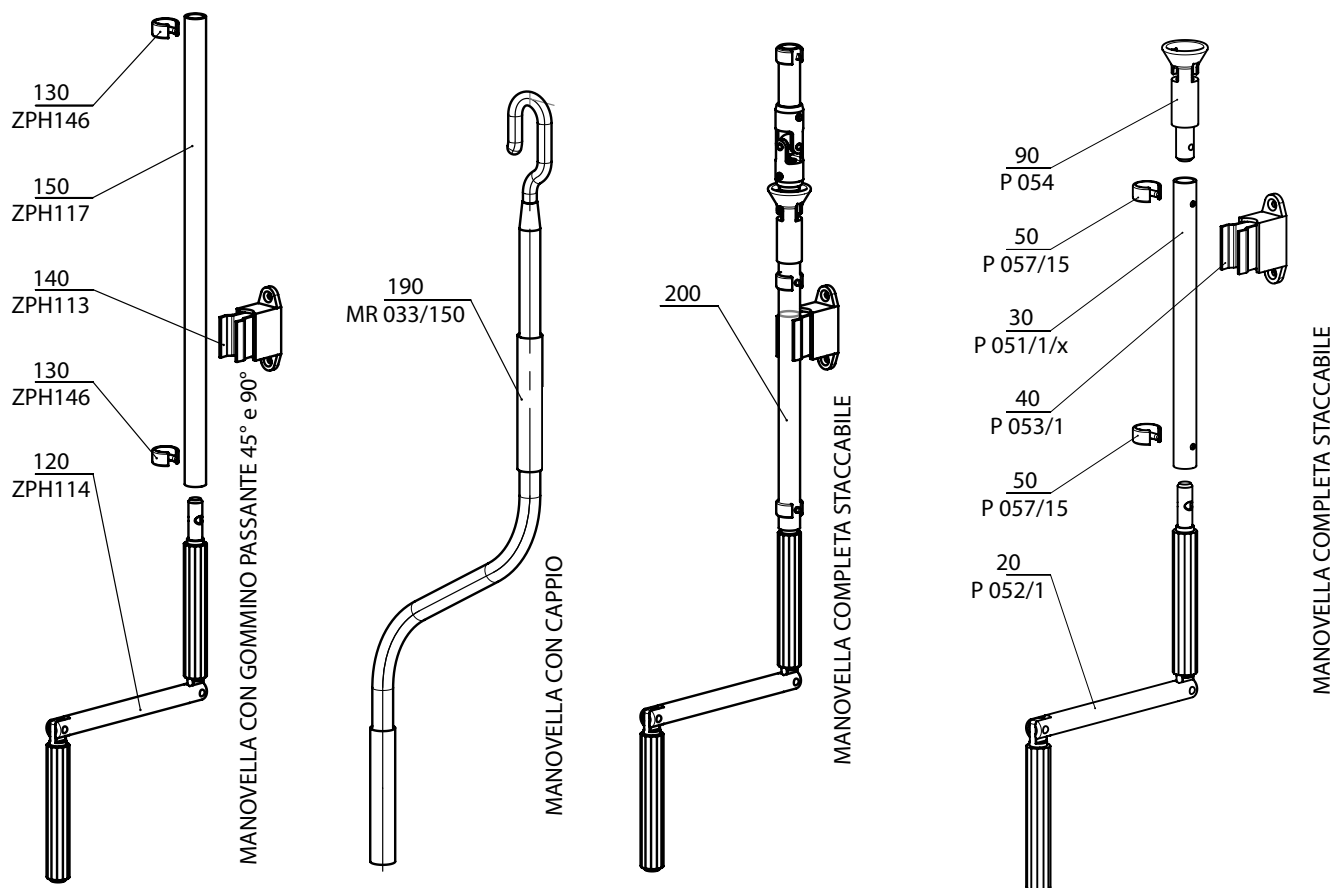
posizione	denominazione item	Denominazione commerciale	numero del disegno
900/10	Profili lista di guida A820, A828, A829, A830, A838, A837, A839, A855, A856 A866		per il box 110
900/20	Terminale della lista di guida VL SC800	ZPH095	6-014441-0000

BOX per SCREEN ALFA-ZIP - 110 (2-01578-PU11 quadrato / 2-01579-PU11 quarto rotondo)

posizione	denominazione item	Denominazione commerciale	numero del disegno
20/10	Profilo Box Alfa 110 Posteriore	ZPA010/110Z II	7-303491-0000
20/20	Profilo Box Alfa 110 Anteriore Quarto rotondo	ZPA010/110C	7-303491-0000
20/30	Sponda 110 Alfa H1-1 P N	ZPA001/110P/3	3-04130-0000
20/30	Sponda 110 Alfa H1-1 L N	ZPA001/110L/3	3-04131-0000
20/31	Sponda 110 Alfa K1-1 P N	ZPA003/110P/3	3-04132-0000
20/31	Sponda 110 Alfa K1-1 L N	ZPA003/110L/3	3-04133-0000
20/20	Profilo Box Alfa 110 Anteriore Quadrato	ZPA010/110H	7-303479-0000
20/40	Sponda 110 Alfa H1 L N	ZPA001/110L/1	7-304064-0000
20/40	Sponda 110 Alfa H2 P N	ZPA002/110P/1	7-304065-0000
20/41	Sponda 110 Alfa H2 L N	ZPA002/110L/1	7-304066-0000
20/41	Sponda 110 Alfa K2 P N	ZPA004/110P/1	7-304069-0000
20/41	Sponda 110 Alfa K2 L N	ZPA004/110L/1	7-304070-0000
20/900/20	Terminale della lista di guida - 40 mm	ZPH095/1	3-03667-0000
20/900/30	Molla della lista di guida ZIP SC800	ZPH147/1	7-303662-0000
20/900/40	Clip della lista di guida SC800	ZPH099	6-013993-0000
20/900/50	Profilo di guida SC800 per zip v3	ZPH145	6-014155-0000

SCREEN ALFA-ZIP

Comando a manovella



2-01372-XXXX-0

2-01436-XXXX-A

Comando manuale - SCREEN ALFA-ZIP (2-01372-XXXX_0)

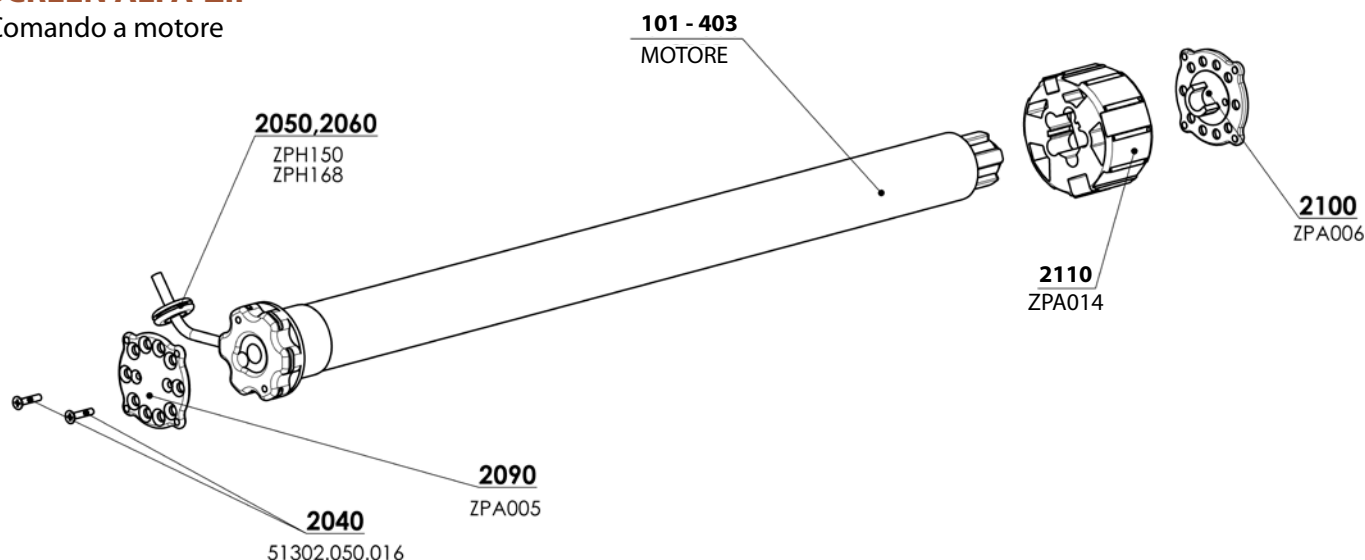
posi- one	denominazione item	Denominazione commerciale	numero del disegno
120	Manovella piegabile	ZPH114	6-014323-0000
130	Anello assicurativo con correggiato	ZPH146	6-014451-0000
140	Sostegno manovella	ZPH113	6-014319-0000
150	Tubo della manovella PVC – diametro 12 mm	ZPH117	6-014324-0000
190	Manovella della tenda da sole 1500 mm	MR 033/150	6-011095-1500
200	Manovella completa staccabile per SCREEN		2-01436-0000

Manovella completa staccabile per SCREEN ALFA-ZIP (2-01436-XXXX_0)

posi- one	denominazione item	Denominazione commerciale	numero del disegno
20	Manovella piegabile Al – diametro 12 mm grigia	P 052/1	6-006682-0000
30	Tubo della manovella Al – diametro 15 mm elox	P 051/1/X	7-301797-PU52
40	Sostegno manovella – grigio universale	P 053/1	6-006683-7045
50	Anello assicurativo con correggiato 15 mm grigio	P 057/15	6-006467-7035
90	Tromba della maniglia quadrangola	P 054	6-001190-0000

SCREEN ALFA-ZIP

Comando a motore

**Motori (SOMFY) Screen ALFA-ZIP (2-00530-0002)**

posizione	denominazione item	Denominazione commerciale	numero del disegno
101-103	Motore ALTUS 50 RTS	MR 091/06	6-011170-xxxx
201-203	Motore Sunea 50 Screen io	ZP0084	6-012559-xxxx
301-303	Motore MAESTRIA +50 IO	ZP0084/1	6-012538-xxxx
401-403	Maestria +50 WT	ZP0093/06	6-015258-0617
2040	Vite da 4,8x19 DIN 7982, testa accecata cardanica	51302.050.016	6-013928-0000
2050	Gommino passante del cavo DI GOMMA diam.7	ZPH150	6-014339-0000
2060	Collare di cavo 300x4,8 - NERO	ZPH168	6-014438-0000
2090	Asse del cuscinetto piana	ZPA005	3-03484-9004
2100	Asse del cuscinetto con clip	ZPA006	3-03485-9004
2110	Trascinatore DS 85 Imbac	ZPA014	6-015621-0000

Motori (Geiger) Screen ALFA-ZIP (2-00530-0002)

posizione	denominazione item	Denominazione commerciale	numero del disegno
10	Motore Geiger Solid Line Zip AIR 6/16	PR0790/06	6-015903-0006
11	Motore Geiger Solid Line Zip AIR 10/16	PR0790/10	6-015903-0010
12	Motore Geiger Solid Line Zip AIR 20/16	PR0790/20	6-015903-0020
70	Trascinatore SOLID line AIR - diam. 95	ZPA015/95	6-015904-0095
70	Trascinatore SOLID line AIR - diam. 78	ZPA015/78	6-015904-0078
70	Trascinatore SOLID line AIR - diam. 85	ZPA015/85	6-015904-0085
200	Gommino passante del cavo DI GOMMA diam.7	ZPH150	6-014339-0000
320	Vite 4,8x19 DIN 7982 C-H A2 testa accecata cardanica		6-013928-0000
330	Collare di cavo 300x4,8 - NERO		6-014438-0000
340	Vite 3,5x19 DIN 7982 C-H A2 testa accecata cardanica		6-014439-0000
350	Vite M6x10 DIN 965-H, A2, accecata-cardanica		6-014497-0000
400	Asse del cuscinetto piana	ZPA005	3-03484-9004
410	Asse del cuscinetto con clip	ZPA006	3-03485-9004

Motori (Becker) Screen ALFA-ZIP (6-015258 / 6-012538 / 6-002624 / 6-014483)

posizione	denominazione item	Denominazione commerciale	numero del disegno
500	Motore BECKER 50 E 08/17	X.2010/1301590	6-017861-0008
500	Motore BECKER 50 E 12/17	X.2010/1301600	6-017861-0012
500	Motore BECKER 50 E 20/17	X.2010/1301450	6-017861-0020
500	Motore BECKER 50 Screen C 08/17PLUS	X.2010/1302170	6-018761-0008
500	Motore BECKER 50 Screen C 12/17PLUS	X.2010/1302180	6-018761-0012
500	Motore BECKER 50 Screen C 20/17PLUS	X.2020/1301860	6-018761-0020

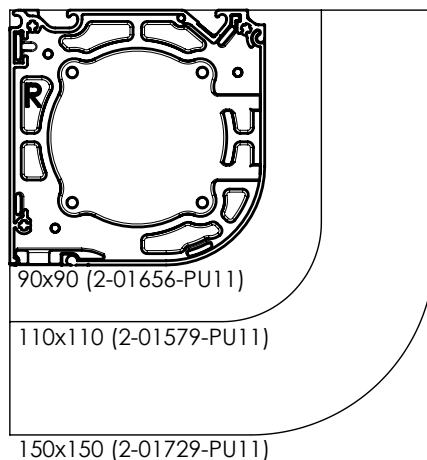
* Nota: E = elettronico motore / C = radio motore

Motori (ISOTRA BASIC) Screen ALFA-ZIP-BOX 110

posizione	denominazione item	Denominazione commerciale	numero del disegno
600	Motore ISOTRA BASIC, 10Nm/17, con ricevitore integrato, SC zip	X.AM45 10/17S	6-019173-0010
600	Moteur ISOTRA BASIC, 15Nm/17, con ricevitore integrato, SC zip	X.AM45 15/17S	6-019173-0015
600	Moteur ISOTRA BASIC, 20Nm/17, con ricevitore integrato, SC zip	X.AM45 20/17S	6-019173-0020

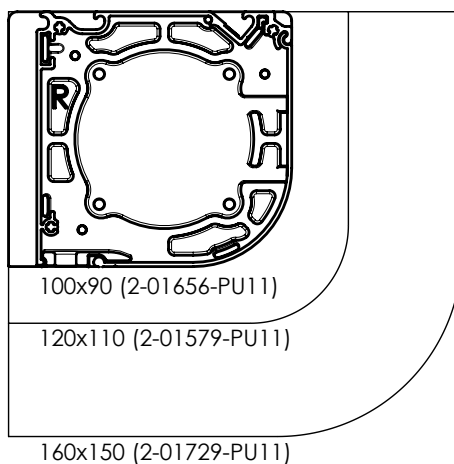
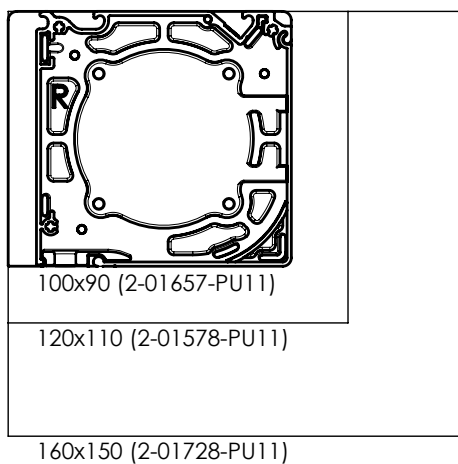
SCREEN ALFA-ZIP

Specificazione tecnologica

Profilo superiore – quadrato
(2-01578)**Profilo superiore – quarto rotondo**
(2-01579)

Profilo superiore - quadrato - con sponda ampliata
- non può essere usato per la tenda a rullo screen autoportante.

Profilo superiore - quarto rotondo - con sponda ampliata
- non può essere usato per la tenda a rullo screen autoportante.

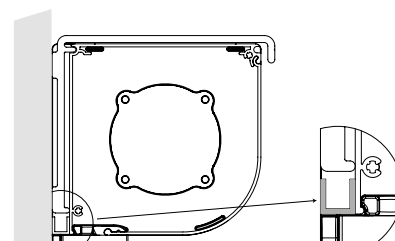


Peso indicativo: Box 90: $\pm 7,0 \text{ kg/m}^2$
Box 110: $\pm 7,6 \text{ kg/m}^2$
Box 150: $\pm 10,2 \text{ kg/m}^2$

Parti posteriori del box**U-profilo – orizzontale**

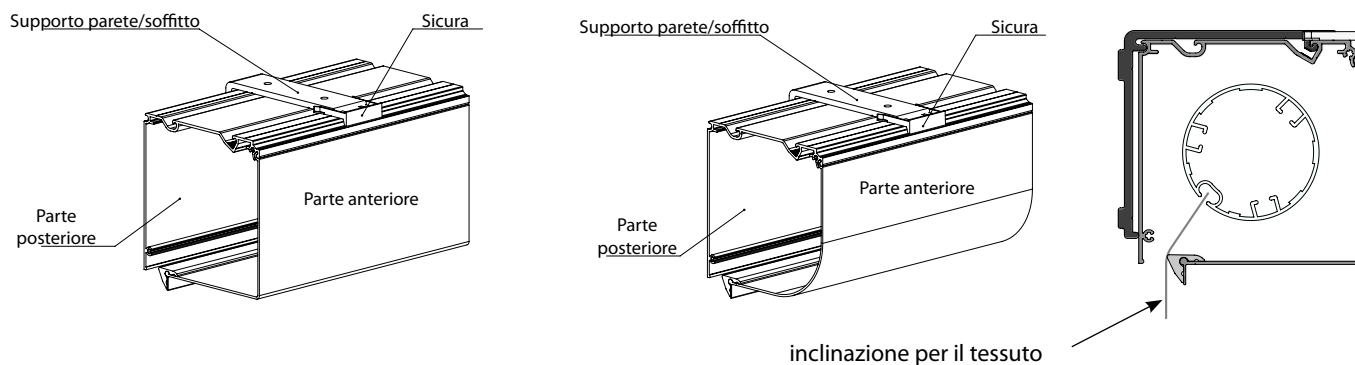
Lo spazio tra il box e la parete si può riempire orizzontalmente con aiuto dell'U-profilo
Dalle dimensioni $10 \times 10 \times 10 \text{ mm}$, la lunghezza è determinata dalla larghezza del box.

Uso: - nelle liste di guida A839 e A829



U-profilo – orizzontale

Supporto parete / soffitto



Materiale: alluminio estruso con verniciatura in polvere

Per l'installazione di tutte le misure del profilo superiore, indipendentemente dalle liste di guida

Numero standard dei supporti parete/soffitto:

Larghezza [mm]	Numero standard dei supporti parete/soffitto (box 90, 110, 150)
0 - 1500	2 pz
1501 - 3000	3 pz
3001 - 4500	4 pz
4501 - 6000	5 pz

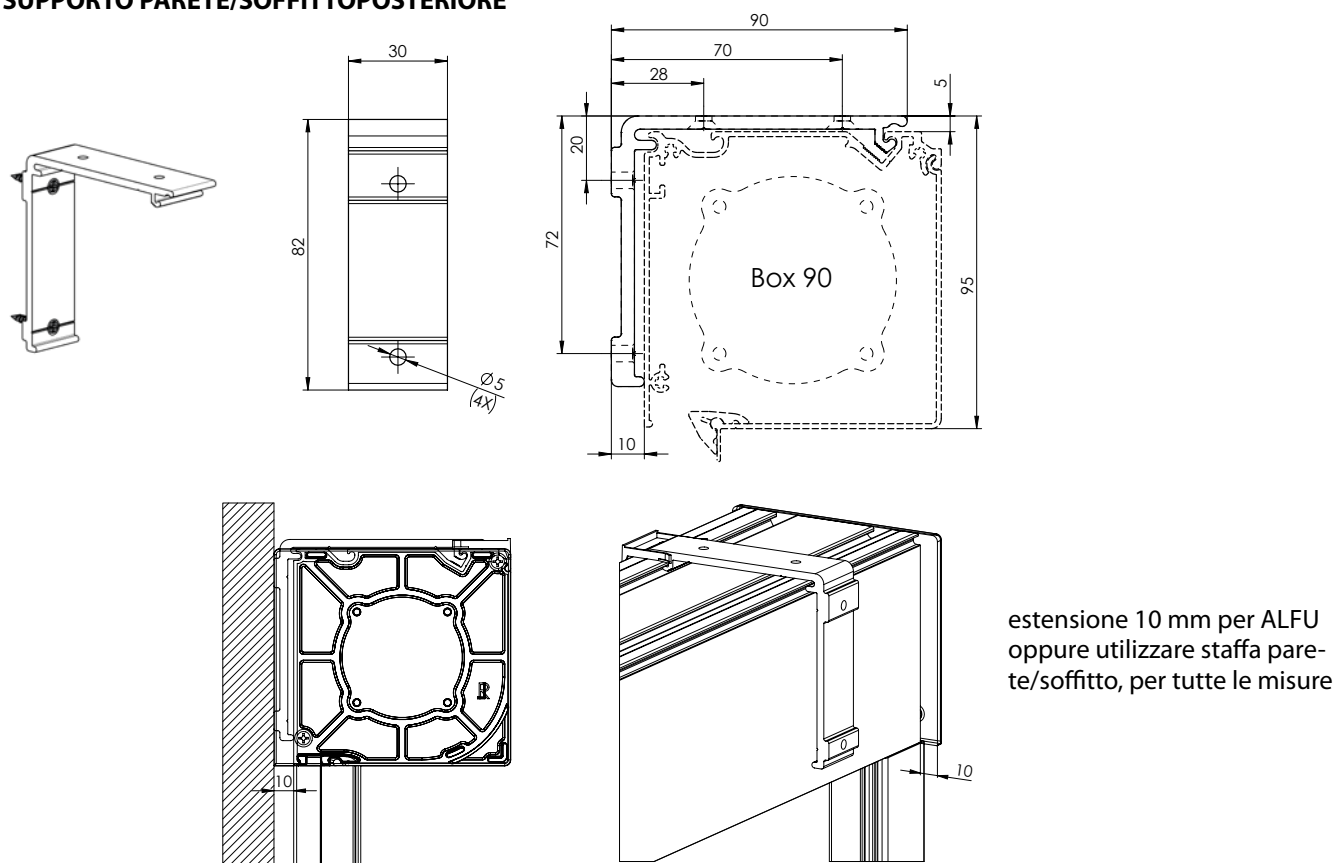
Per la tenda a rullo screen autoportante non saranno forniti, se rispettate le dimensioni limite L_{MAX} e A_{MAX} , né il profilo di montaggio né staffe parete-soffitto.

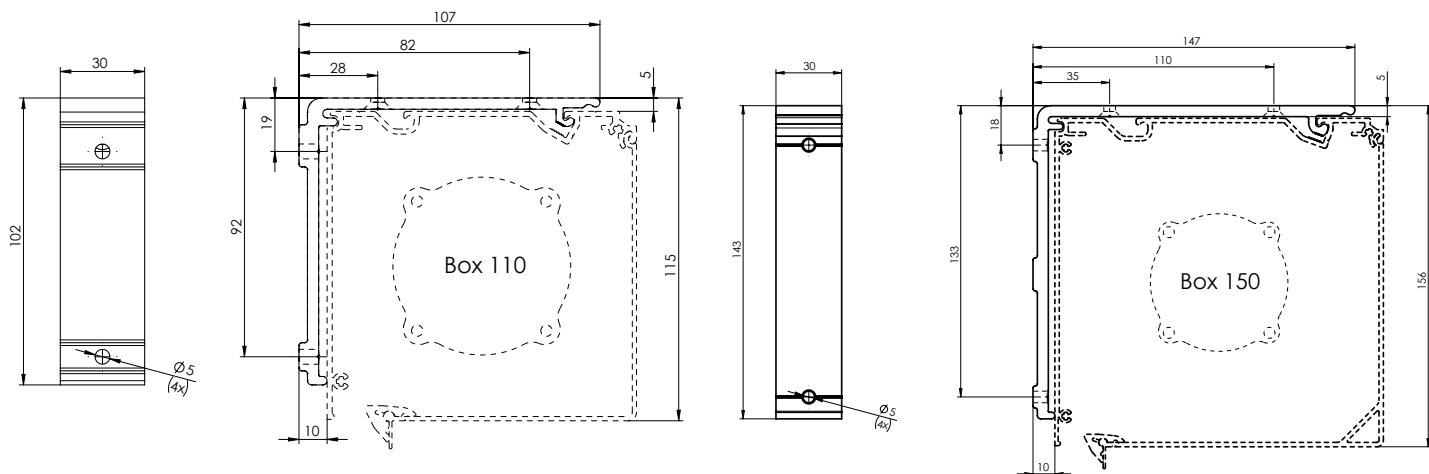
Se viene applicato il supporto parete/soffitto, consigliamo l'uso delle liste di guida di tipo A829, A839, A828, A837, A838, A865 e A855.

Larghezza del supporto parete/soffitto: 30 mm

Muove la parte posteriore del profilo superiore di 10 mm in avanti, così come le aste da sospensione delle liste di guida.

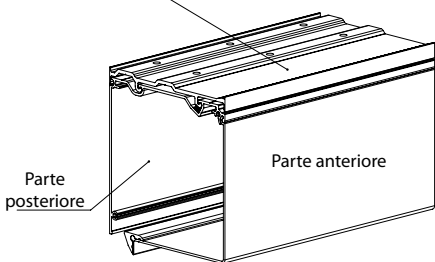
SUPPORTO PARETE/SOFFITTOPOSTERIORE



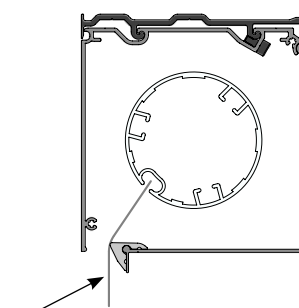
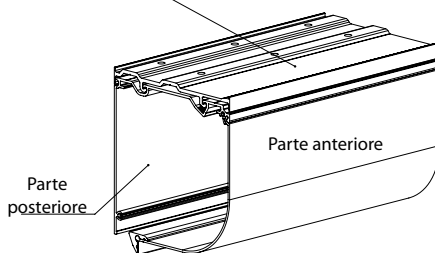


Supporto per la pergola (profilo montaggio)

Profilo di montaggio

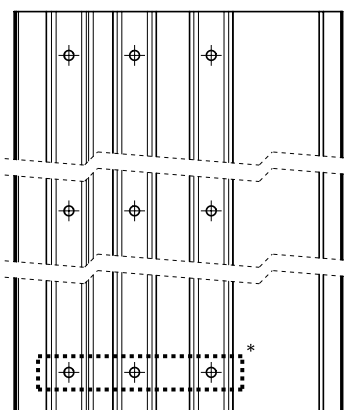
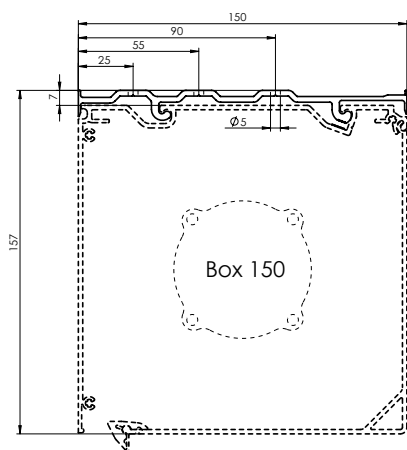
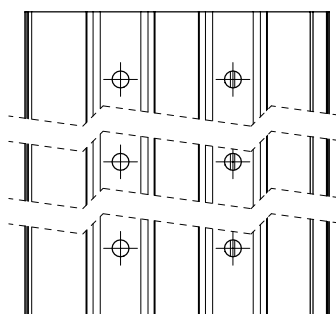
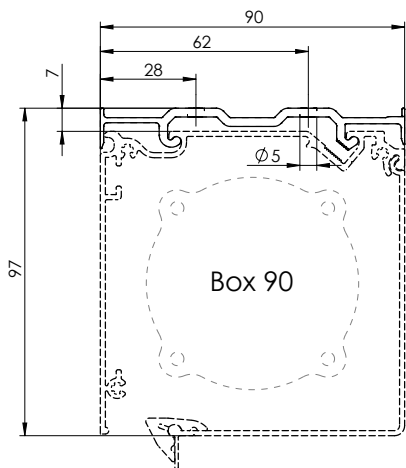


Profilo di montaggio

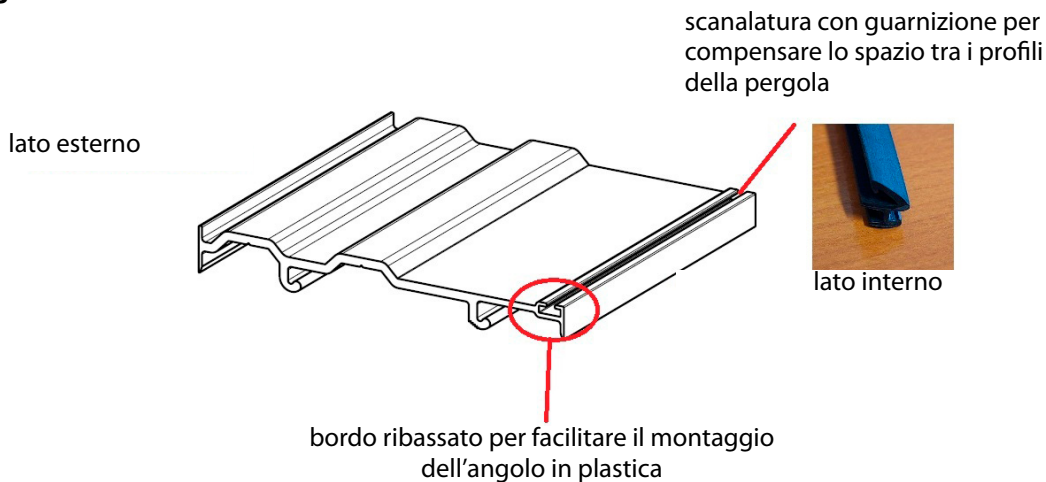


Supporto per la pergola (profilo di montaggio)
Spaziatura dei fori consigliata

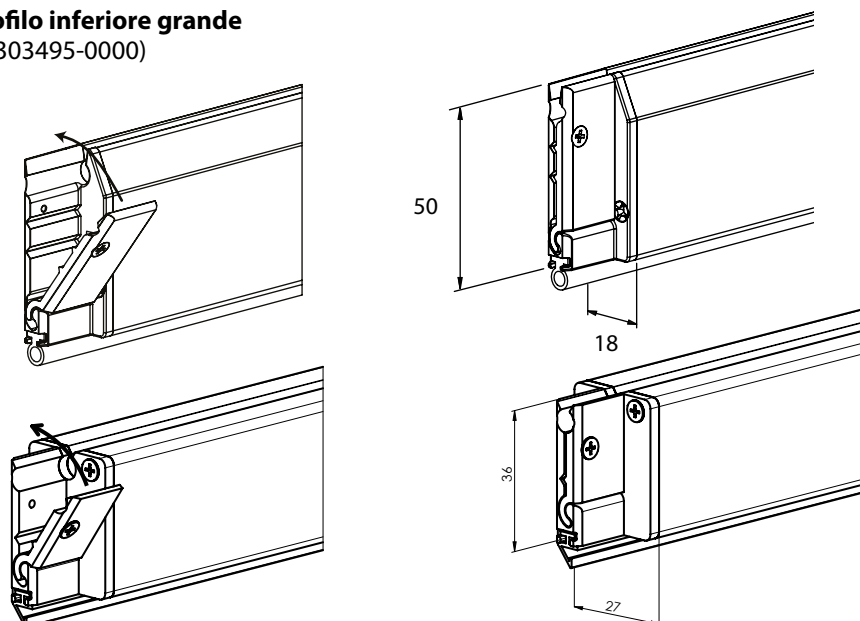
inclinazione per il tessuto



Supporto pergola 110 mm



Profilo inferiore grande (7-303495-0000)



Materiale: profili in alluminio estruso:

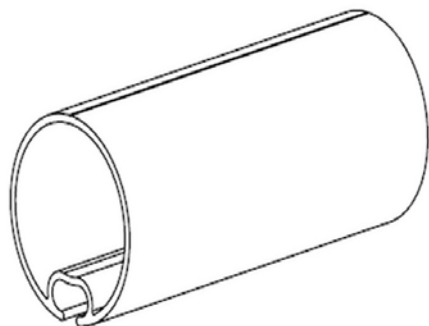
- con verniciatura in polvere
- con spazio per il profilo di carico
- con solco per il tessuto
- con solco per la gomma di guarnizione

Il tessuto è attaccato alla lista inferiore tramite l'asta in plastica Ø 3 mm.

Blocchi scorrevoli

coperture laterali per l'attacco del tessuto

Cilindro avvolgitore, diam. 55mm – 6m, diam. 85mm – 6m, pr. 100 mm - 6m (6-014027-0000, 7-303497, 6-016860-0000, 6-018526-00006)



Materiale: alluminio estruso per tubi Ø 55 ed acciaio zincato per tubi Ø 85 mm a Ø 100 mm.

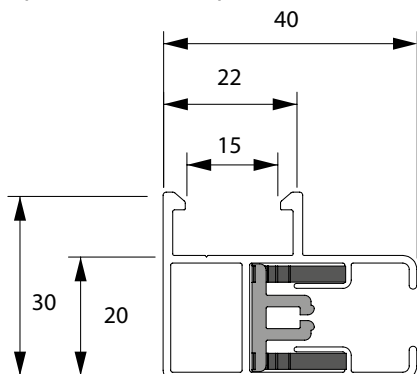
Contiene un solco per attaccarci il tessuto tramite un'asta in plastica Ø 4 mm per tubo Ø 55 mm e tramite un'asta in plastica Ø 6 mm per tubi Ø 85 mm a Ø 100 mm.

Liste di guida per il motore

Materiale: profili in alluminio estruso con verniciatura in polvere

Lista di guida A839 (7-303494)

- lista di guida standard da attaccare agli elementi di sospensione o a distanza minore rispetto alla parte laterale (10 mm).
- non può essere usato per la tenda a rullo screen autoportante



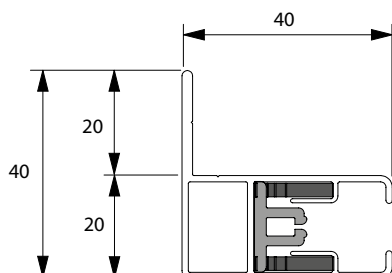
Lista di guida A830 (7-303492)

- lista di guida piana senza elementi di sospensione.



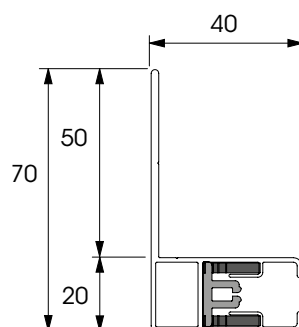
Lista di guida A838 (7-303493)

- lista di guida con flangia da montaggio corta.



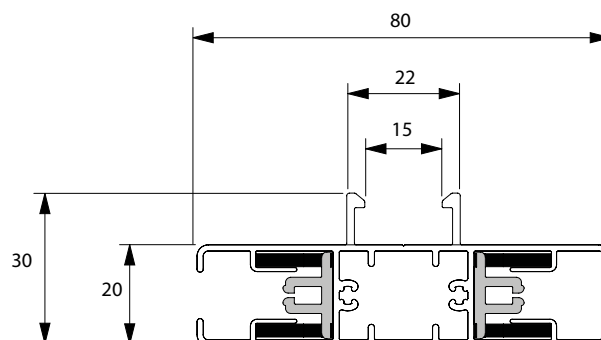
Lista di guida A837 (6-018856)

- lista di guida con flangia da montaggio lunga



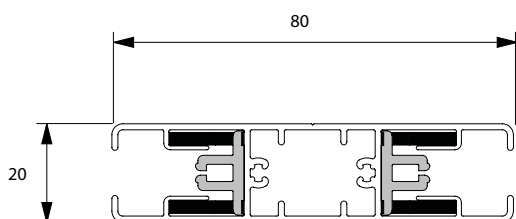
Lista di guida A865 (6-014420)

- lista di guida ausiliare.
- non può essere usato per la tenda a rullo screen autoportante



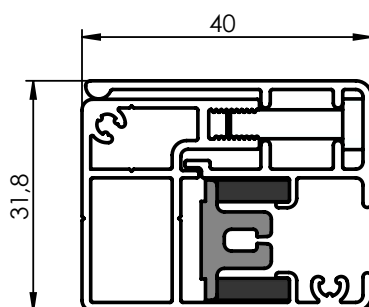
Lista di guida A866 (6-014421)

- lista di guida ausiliare.



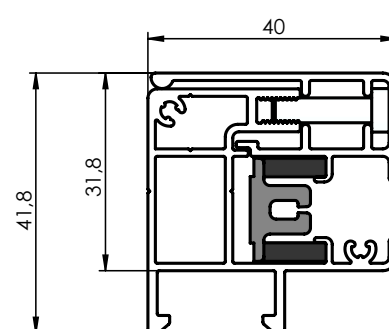
lista di guida A840-1 (7-304469-0000 + 7-304468-0000)

- guide composte, soltanto per il motore
- non adatto per il montaggio su telaio in combinazione con una supportoparete/soffittoposterore



lista di guida A849 (7-304470-0000+7-304468-0000)

- guide composte, soltanto per il motore
- elimina lo spazio di 10 mm quando si utilizza la staffa parete-soffitto, può essere utilizzato in combinazione con blocchi di montaggio

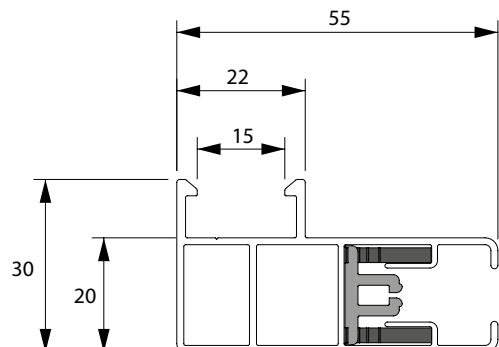


Liste di guida per la maniglia

Materiale: profili in alluminio estruso con verniciatura in polvere

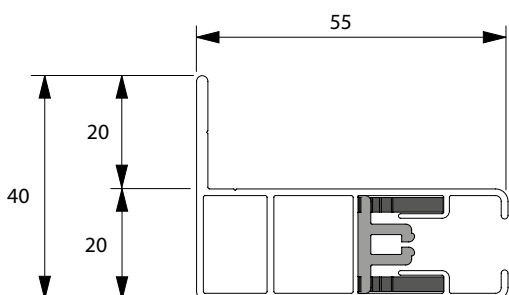
Liste di guida A829 (6-013989)

- lista di guida standard da attaccare agli elementi di sospensione o a distanza minore rispetto alla parte laterale (10 mm).
- non può essere usato per la tenda a rullo screen autoportante



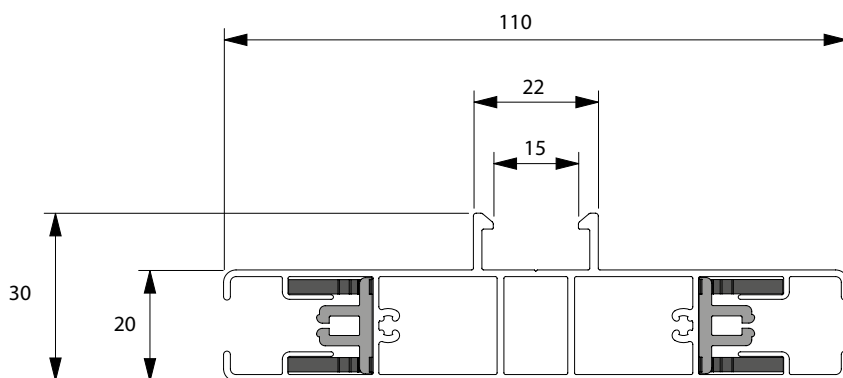
Liste di guida A828 (6-014153)

- lista di guida con flangia di montaggio corta



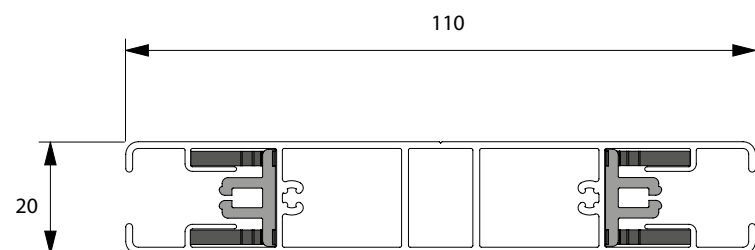
Liste di guida A855 (6-014827)

- lista di guida ausiliare
- non può essere usato per la tenda a rullo screen autoportante



Liste di guida A856 (6-014154)

- lista di guida ausiliare



Guide di foratura frontale/laterale (da entrambi i lati suibordi 200 mm)

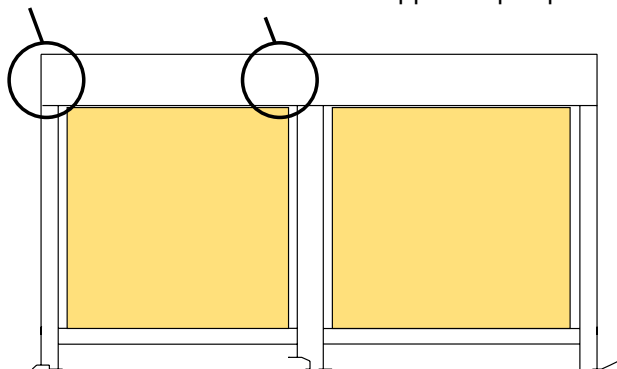
all'altezza 1500 mm	2 fori (terminali)
dall'alt. 1500 mm all'alt. 3000 mm	3 fori (2 foriterminali + 1 foro al centro)
dall'alt. 3000 mm all'alt. 4500 mm	4 fori (2 foriterminali + 2 fori al centro)
Dall'alt. 4500 mm	5 fori (2 foriterminali + 3 fori al centro)

Sponde:

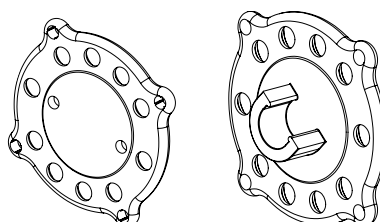
- Sponda di base:** - sponde in alluminio con cavicchi - pressofusione,
- sponde in alluminio complete con assi portanti universali di un materiale sintetico nero.

- Sponde centrali:** - sponde in alluminio con cavicchi - pressofusione,
- tiene il cuscinetto nelle tende a rullo collegate tra di loro o l'asse portante universale.

Sponda di base sponda centrale
La versione accoppiata si può produrre soltanto per il box 110.



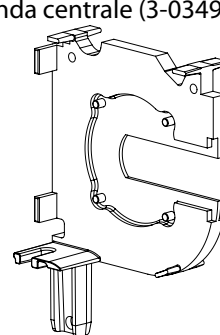
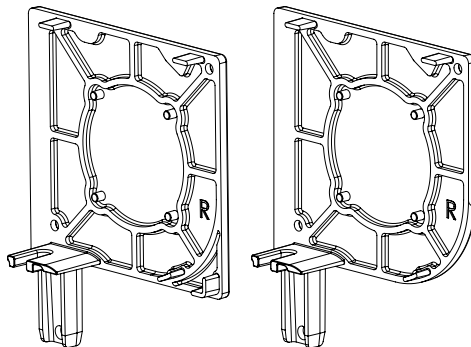
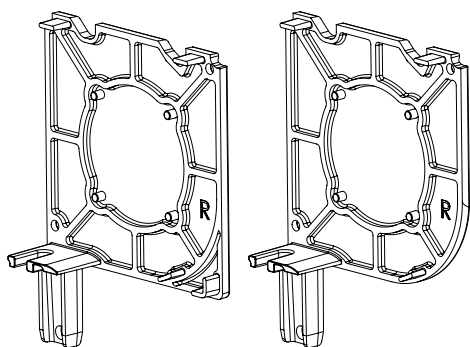
Asse portante universale:



Sponda per il profilo di montaggio

Sponda per il supporto parete-soffitto

sponda di base
sponda centrale (3-03490-0110)



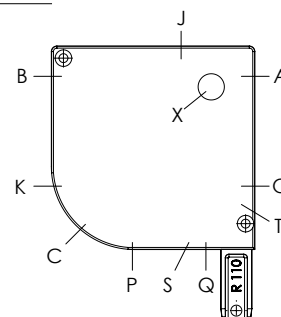
Comando posizione - uscita

Tipo di montaggio	Comando	O			A			J			T			B			K			
		90	110	150	90	110	150	90	110	150	90	110	150	90	110	150	90	110	150	
A-AE	Motore	x	x	x	x	x	x	o	x	x										
	Manovella 45°										x	x	x							
	Manovella 90°	x	x	x	x	x	x													
	Manovella Manovella con coppia																			
B-BE	Motore							o	x					x	x		x	x		
	Manovella 45°													x	x		x	x		
	Manovella 90°													x	x		x	x		
	Manovella Manovella con coppia																			

Tipo di montaggio	Comando	P			Q			C			S			X		
		90	110	150	90	110	150	90	110	150	90	110	150	90	110	150
A-AE	Motore								x					x	x	
	Manovella 45°															
	Manovella 90°															
	Manovella Manovella con coppia				o	o										
B-BE	Motore				o	o								x	x	
	Manovella 45°							x	x							
	Manovella 90°															
	Manovella Manovella con coppia				o	o										

- x Si
- x Possibilità soltanto con box quadrato
- Usato con trasmissione a coppia corto
- Usato con trasmissione a coppia lungo
- J Per il montaggio soffitto/architrave o uso negli interni, per motivo di penetrazione dell'acqua.
- o Non è possibile

Uscite di comando

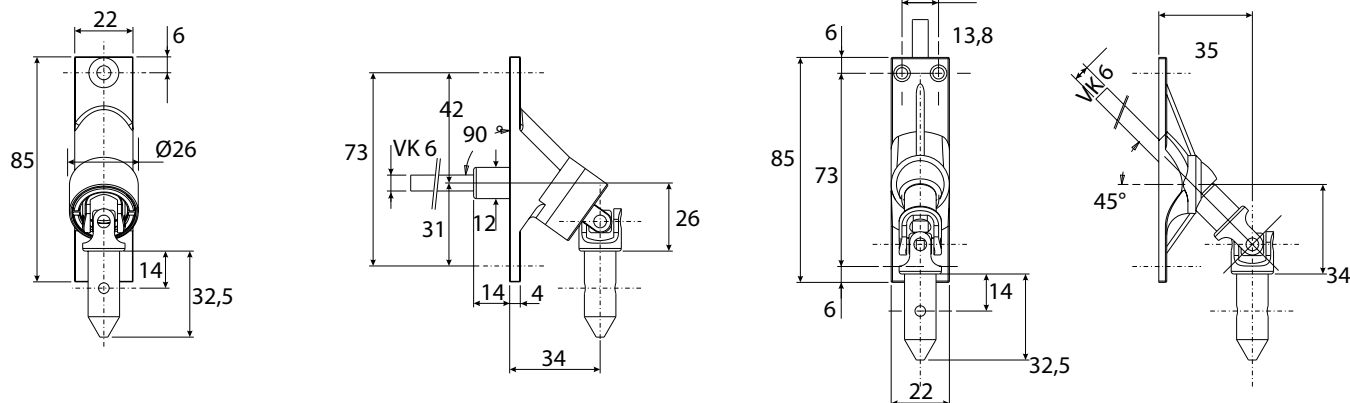


Comando - manovella

Comando interno

Standard: - manovella plastificata pieghevole grigia,
 - vita cardanica 90° o 45° o 0° (materiale della manovella: 6 mm quadrato, lunghezza 320 mm).
 - consolle magnetica tenente la manovella sulla parete,
 - lunghezza della manovella dipende dall'altezza della tende a rullo: $L = H - 150$ mm (con snodo a 90°),
 $L = H - 350$ mm (con snodo a 45° e a 0°).

Alternativa: - manovella staccabile con un giunto speciale,
 - senza manovella staccabile, con un giunto speciale.



Snodo cardanico 90°

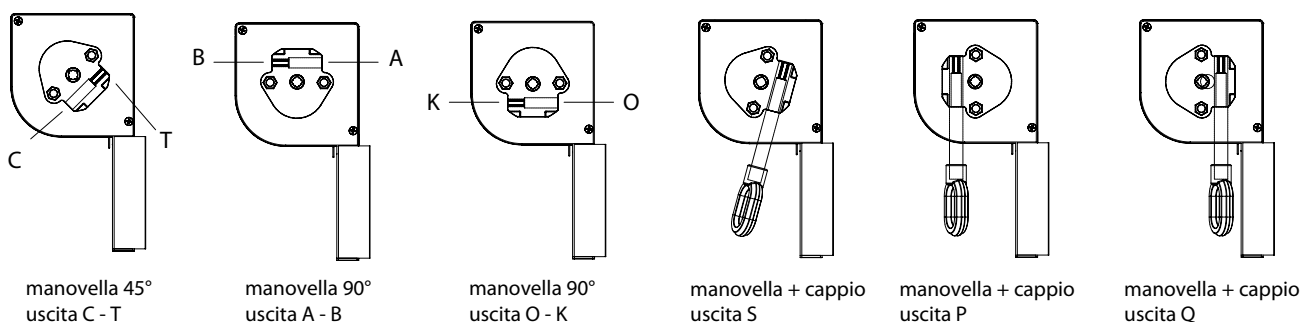
Snodo cardanico 45°

NB: l'asse del giunto a snodo non può essere attaccata direttamente al box, e perciò è necessario creare ulteriore spazio intorno al box.

Comando esterno

Standard: - comando a manovella con cappio, manovella staccabile con gancio, lunghezza 1500 mm.
 Alternativa: - altre lunghezze delle manovelle sono disponibili a pagamento supplementare.

Attenzione: create abbastanza spazio intorno (± 10 mm) per motivo della rotazione del gancio della manovella nel cappio.



manovella 45°
uscita C - T

manovella 90°
uscita A - B

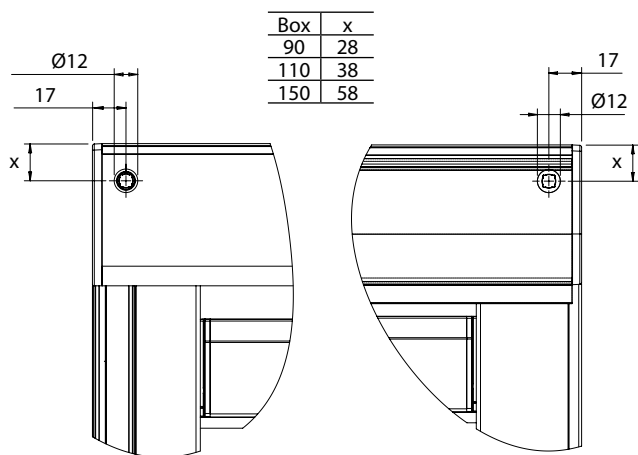
manovella 90°
uscita O - K

manovella + cappio
uscita S

manovella + cappio
uscita P

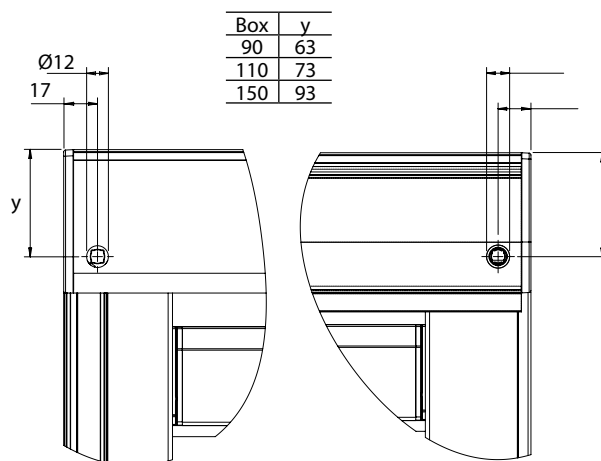
manovella + cappio
uscita Q

Uscite di comando per la manovella attraverso la parete



manovella staccabile 90° uscita A

manovella staccabile 90° uscita B

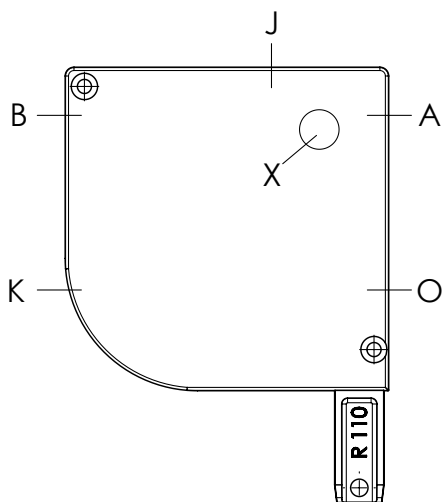


manovella staccabile 90° uscita O

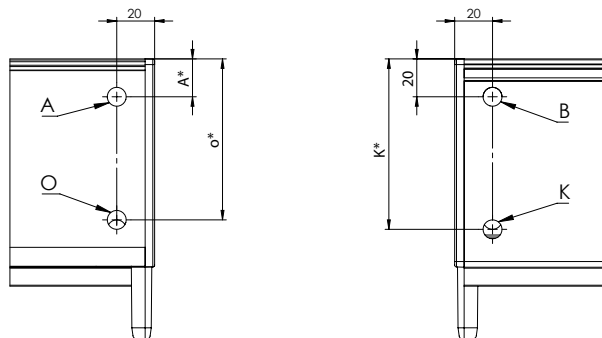
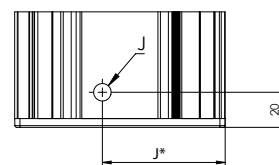
manovella staccabile 90° uscita K

Comando – motore

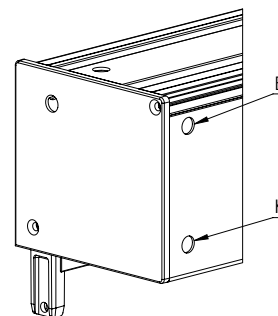
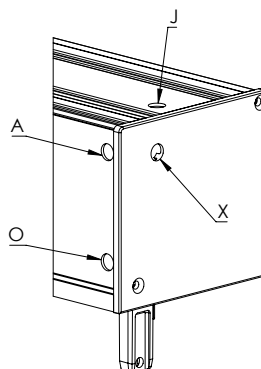
Possibilità di scegliere la posizione del cavo



a sinistra, uscita X (dalla sponda) soltanto per il box 110, 150
a destra, uscita X (dalla sponda) soltanto per il box 110, 150



Box	A*	J*	K*	O*
90	30	45	70	65
110	20	70	90	85
150	30	75	130	125



Tende a Rullo screen

E' possibile usare un unico box per 2 - 3 tende a rullo screen.

DVC: le tende a rullo una accanto all'altra

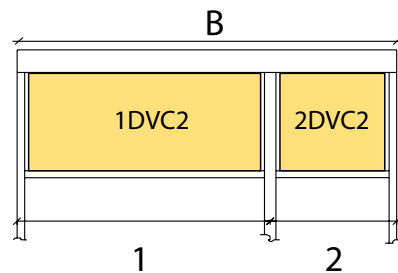
- Con liste di guida in mezzo: A865/A866 - per il motore
A855/A856 - per la manovella

Possibile con 1, 2 o 3 comandi.

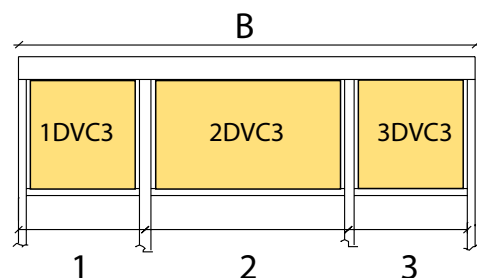
- Larghezza minima delle singole tende a rullo screen dipende dal tipo di comando.
- Larghezza totale massima dipende dal tipo di comando.
- Il comando a manovella e il comando elettrico possono essere collegati uno accanto all'altro fino a 6 m.
- Comando centrale è possibile con alcuni telecomandi.
- Si consiglia installare l'unità di comando per la tende a rullo più grande.

La versione accoppiata non può essere utilizzata con l'ALFA 90 per eseguire la maniglia e l'ALFA 150 (maniglia, motore).

La versione accoppiata non può essere utilizzata per le tende a rullo screen autoportanti.



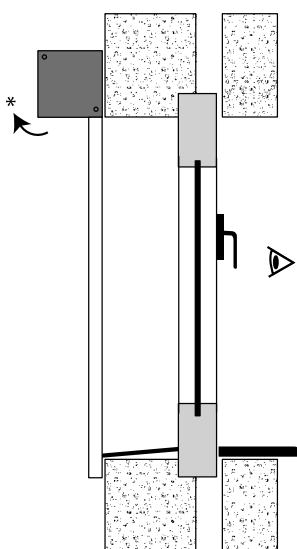
1DVC2 - 1a tende a rullo delle due nel box comune
2DVC2 - 2a tende a rullo delle due nel box comune



1DVC3 - 1a tende a rullo delle tre nel box comune
2DVC3 - 2a tende a rullo delle tre nel box comune
3DVC3 - 3a tende a rullo delle tre nel box comune

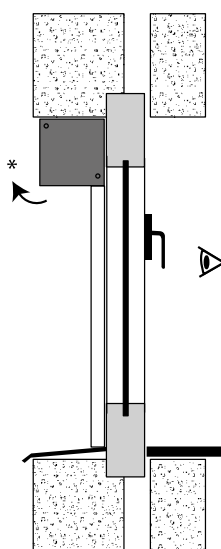
Tipi di montaggio

Tipo A-AE (al muro)

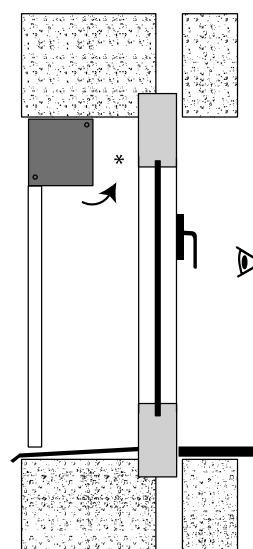


* spazio per apertura del box

Tipo A-AE (in spalletta)

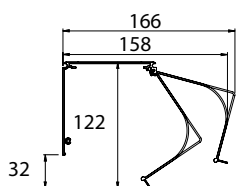


Tipo B-BE (in spalletta) *

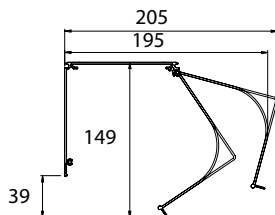


- A - massa avvolta alla finestra "A" (standard)
- AE - massa avvolta alla finestra "AE" (esterni chiari)
- B - massa avvolta dalla finestra "B"
- BE - massa avvolta dalla finestra "BE" (esterni chiari)

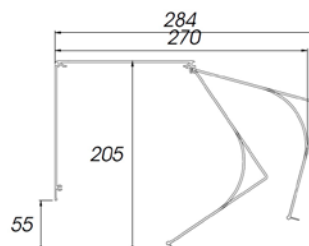
Tipo 90



Tipo 110



Tipo 150



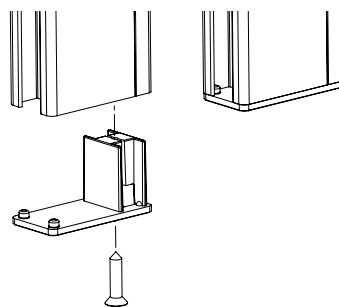
Montaggio ai perni

Il box viene installato nelle liste di guida. Le liste si muovono sui perni delle consoli.

Montaggio ai perni



Arresto terminale



Cerniere per le liste di guida A829, A839, A855, A865



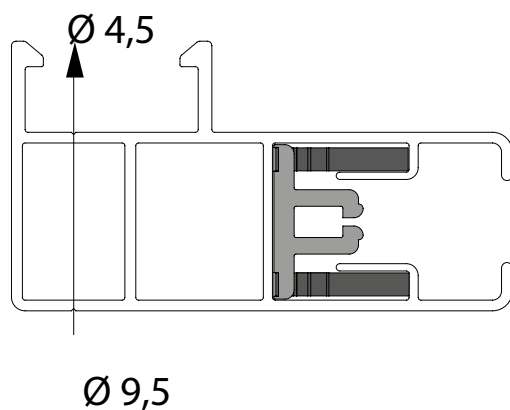
Arresto terminale nella lista di guida ausiliare



Con l'arresto terminale di plastica nera o con la lamiera di alluminio terminale sul lato inferiore per l'arresto della lista inferiore; spessore 2 mm.

Alcune liste di guida possono essere fornite con fori già fatti.

Foratura sul lato frontale:



Liste di guida per i fori sul lato frontale:

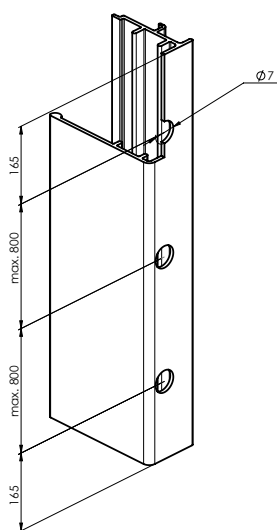
Foratura	A829/A839	A820/A830	A828/A838, A837	A855/A865	A856/A866
lato frontale	SI	SI	NO	SI	SI

*A820/A830 standard preforato

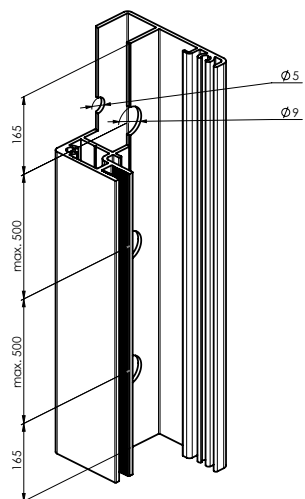
*A829/839 forato solo su richiesta

A840: foratura frontale/laterale

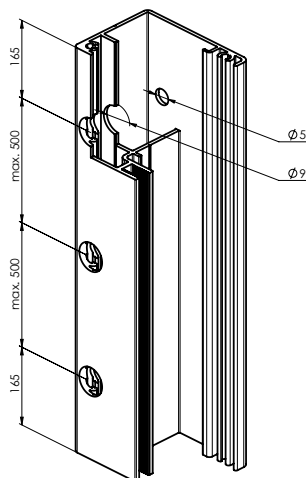
A840-1 foratura del tappo



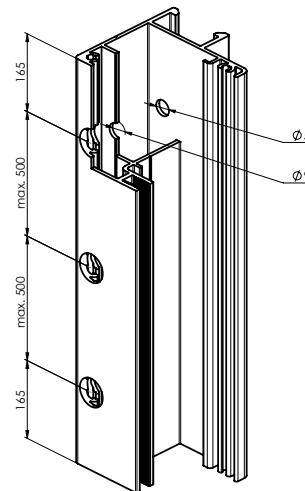
A840-1b foratura laterale



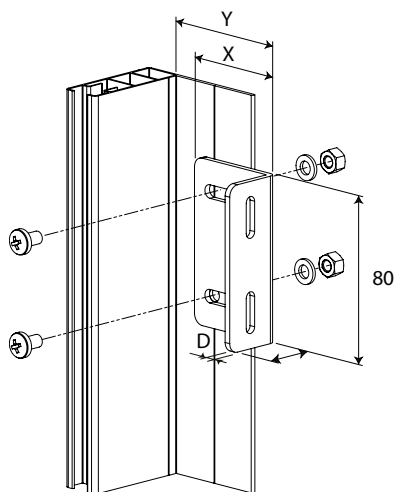
A840-1c foratura frontale



A849:foratura frontale



Supporto per le liste di guida A828, A837 e A838:



X x H x D	X	Y	numero del disegno
50 x 30 x 3	50	50-65	6-014549-0000
60 x 30 x 3	60	60-75	6-014550-0000
100 x 30 x 3	100	100-115	6-014552-0000
130 x 30 x 3	130	130-145	6-014542-0000

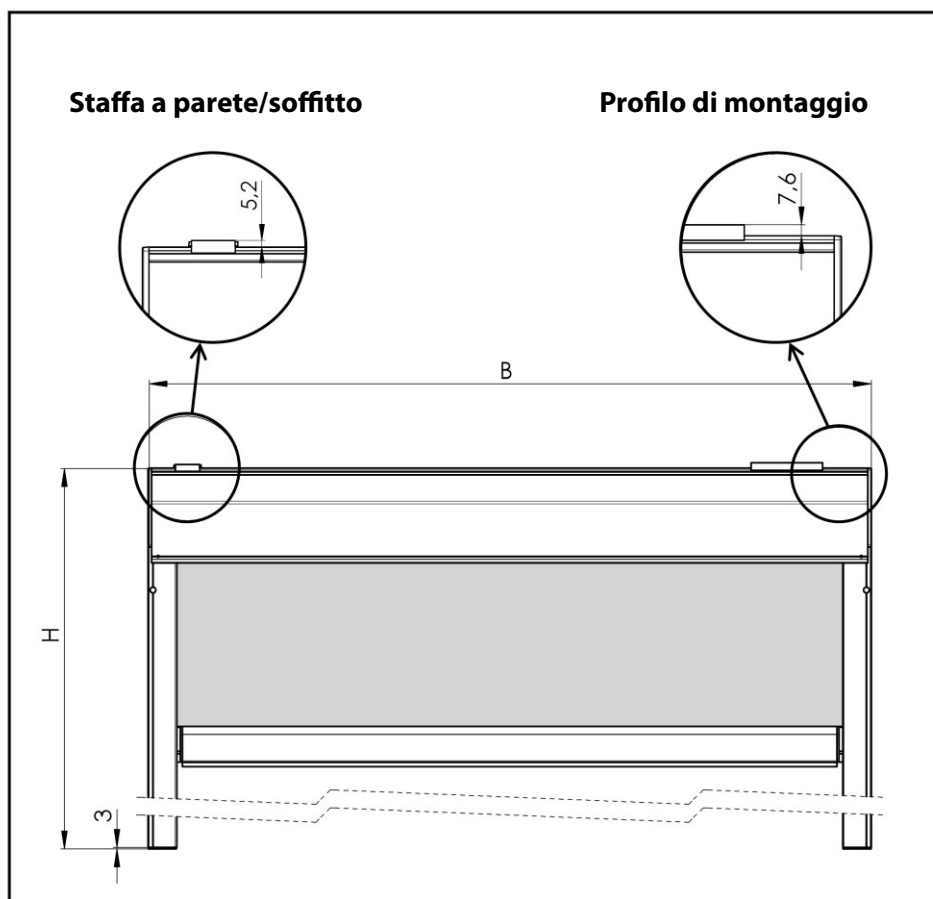
SCREEN ALFA-ZIP

Misurazione delle tende a rullo schermate ALFA-ZIP

Larghezza finale B = distanza tra le pareti laterali.

Altezza finale H = altezza comprensiva del box e delle estremità delle liste di guida (spessore delle estremità delle guide = 3 mm) esclusa la staffa a parete/soffitto o escluso il profilo di montaggio.

Maggiori informazioni nel documento separato **Istruzioni di misurazione e montaggio**.



Installazione di tende a rullo schermate ALFA-ZIP

Esistono diversi modi per installare le tende a schermo, a seconda della situazione di installazione.

NB: Per l'installazione autoportante della tenda oscurante, seguire l'opzione A, metodo 2.

Opzione A: utilizzo di staffe a parete/soffitto

Metodo 1 Fissare il box con staffe a parete/soffitto, facendo scorrere le liste di guida sul perno della parete laterale e fissando le guide con viti.

Metodo 2 Posizionare il box completo e le liste di guida nell'apertura della finestra o sopra di essa e fissarlo con le viti (utilizzato nel caso in cui non ci sia spazio per far scorrere le guide sul perno laterale, ad esempio a causa del davanzale o per la forma della tenda a rullo autoportante stessa).

METODO 1. Fissare il box con staffe a parete/soffitto, facendo scorrere le liste di guida sul perno della parete laterale e fissando le guide con viti.



livella ad acqua

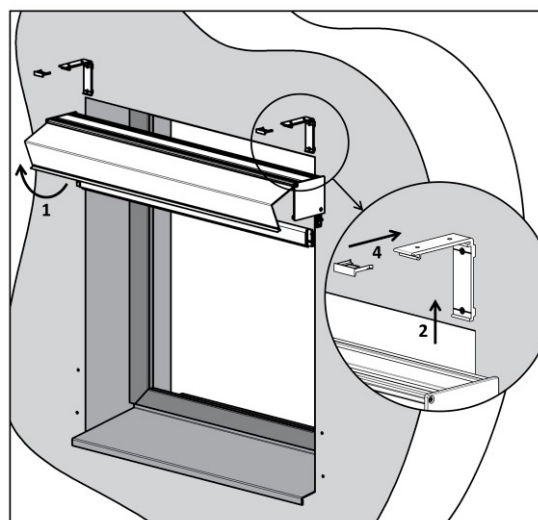
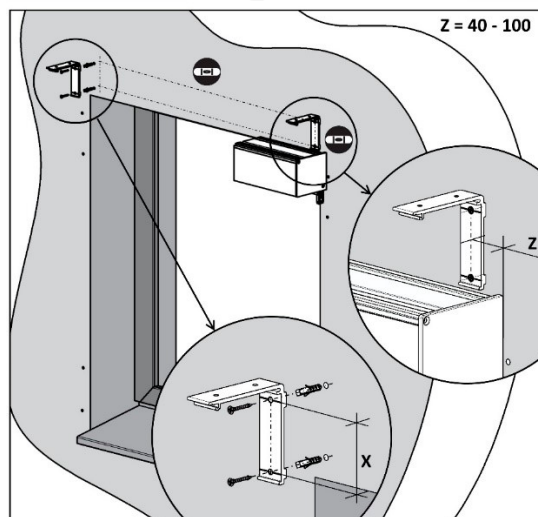
Tipo di box	X
90	52mm
110	73mm
150	115mm

Fase 1: Esecuzione dei fori per le staffe a parete/soffitto

1. Posizionare le staffe per parete/soffitto sulla superficie di montaggio. Utilizzare i fori superiori per il montaggio a soffitto ed i fori posteriori per il montaggio a parete.
2. Il box deve essere in posizione perfettamente orizzontale, quindi accertarsi che le staffe a parete/soffitto siano allineate correttamente.
A tale scopo, utilizzare una livella ad acqua ed un piombino o un altro strumento adatto.
3. Le staffe a parete/soffitto devono essere posizionate a una distanza di 40-100 mm dai bordi del box. Eventuali staffe aggiuntive devono essere montate sempre a distanza regolare lungo la parte larga del box ed hanno lo scopo di evitare il cedimento dei box più larghi.

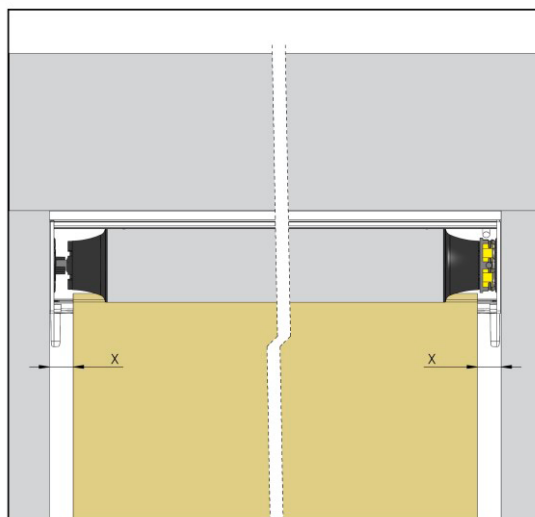
Fase 2: Fissaggio del box alle staffe a parete/soffitto

1. Rimuovere il coperchio anteriore del box
2. Posizionare il box nelle staffe a parete/soffitto.
3. Assicurarsi che il box sia posizionato correttamente su tutte le staffe.
4. Inserire e spingere le componenti di bloccaggio, che devono entrare in posizione corretta a scatto.

**Fase 3: Centrare il tessuto nel box**

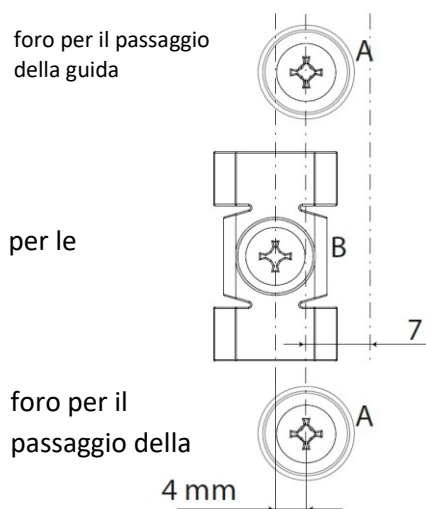
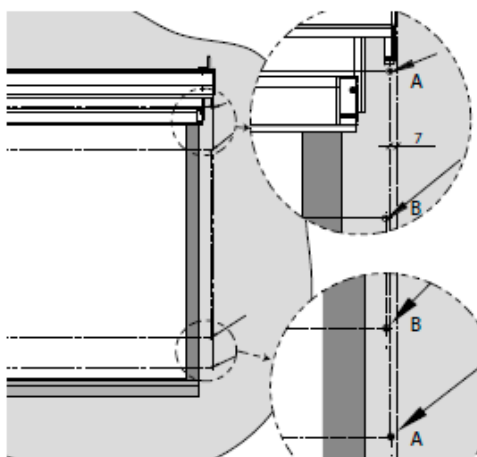
1. Far scorrere il tessuto verso il basso in modo che si srotoli completamente dal rullo (il tessuto rimane inserito nella scanalatura del rullo). Assicurarsi che il tessuto non sia sporco e che il profilo inferiore non sia danneggiato.
2. Centrare il tessuto sul rullo in modo che si trovi al centro del box (non al centro del rullo).
3. Controllare che il tessuto sia avvolto in modo dritto → eseguire 2-3 cicli di controllo (ATTENZIONE! I fine corsa del motore non sono impostati!).

Terminare il controllo in modo che la barra inferiore sia posizionata circa 15 cm sotto il box

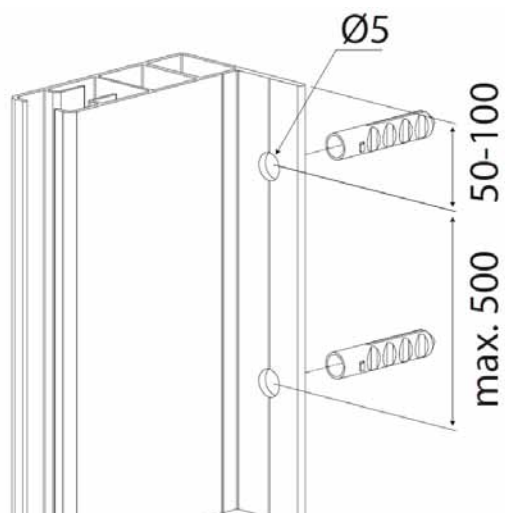


Fase 4: Esecuzione dei fori per le liste di guida**Guide A839, A829:**

1. Segnare i fori da praticare sulla parete o su un'altra superficie di montaggio.
2. A tale scopo, utilizzare guide preforate.
3. I fori per il fissaggio delle guide sono contrassegnati dalla lettera A nella figura.
4. B nella figura indica i fori per le cerniere.

**Guide A830, A820:**

Utilizzare i fori preforati nelle guide per fissare le guide A830 e A820.

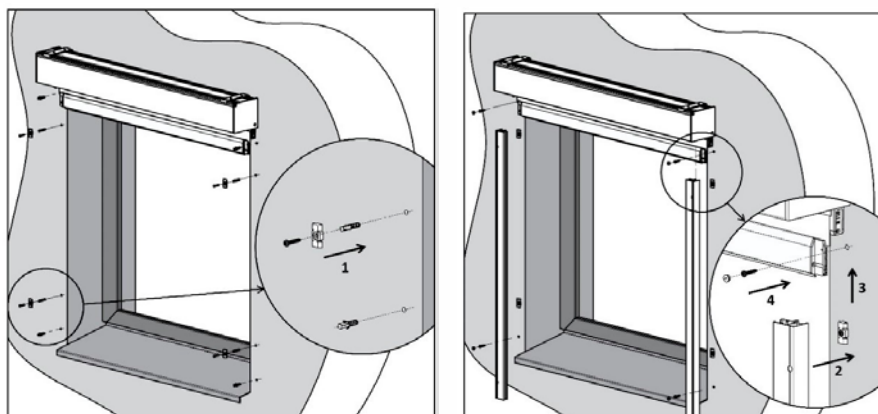
Guide A838, A828, A837:

*A840-1 – Vedere istruzioni di montaggio

Fase 5 Installazione delle guide

Guide A839, A829:

1. Fissare le cerniere alla superficie di montaggio.
2. Agganciare a scatto le guide sulle cerniere frontalmente.
3. Far scorrere le liste di guida sui perni delle guide laterali e assicurarsi che le estremità della guida inferiore siano inserite correttamente nelle scanalature delle guide e che la cerniera del tessuto sia inserita nell'inserto di plastica della guida.
4. Avvitare le guide alla superficie di montaggio tramite i fori A.



Guide A830, A838, A828, A837:

Far scorrere i binari di guida sui perni laterali e avvitarli alla superficie di montaggio attraverso i fori A.

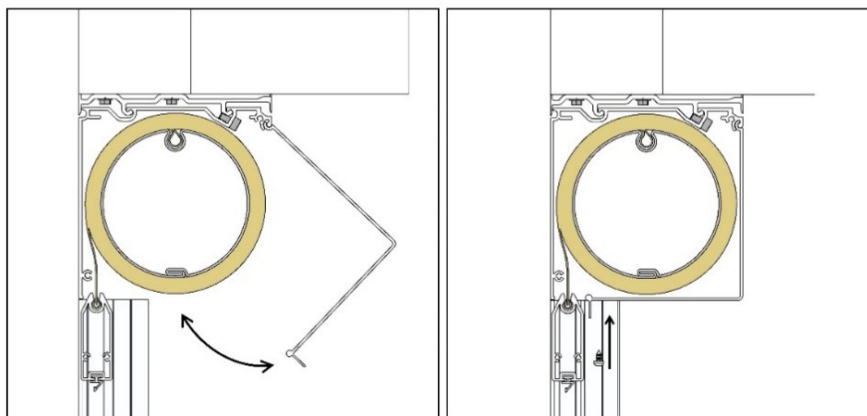
Fase 6: Installazione del coperchio anteriore

Rimontare il coperchio anteriore del box.

Dopo aver installato le tende, è necessario dal lato



rimuovere il fermacavo.



Fase 7: Impostazioni del motore

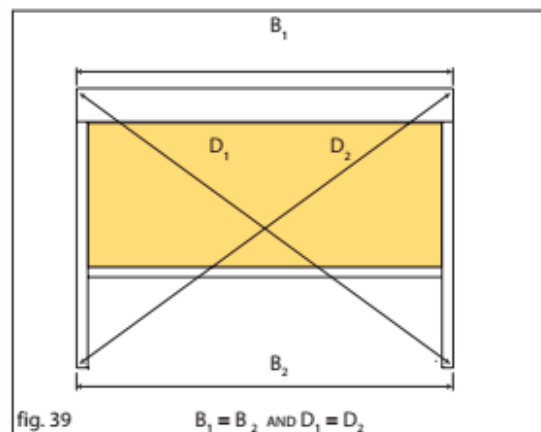
Impostare i fine corsa del motore a seconda del tipo di motore (vedere il Manuale del motore).

Fase 8: Controllo dell'installazione

Assicurarsi sempre che la tenda a rullo sia installata correttamente:

1. Verificare innanzitutto che il box sia montato orizzontalmente.
2. Verificare che le due guide siano parallele tra loro e perpendicolari al box.
3. Misurare e confrontare le diagonali tra loro con precisione a millimetro.

Se il box e le guide non sono montati correttamente, la guida inferiore entrerà sempre nel cassonetto in modo inclinato, causando l'increspatura o lo strappo del tessuto dall'insero in plastica della guida.



Metodo 2. Posizionare il box completo e le liste di guide nell'apertura della finestra o sopra di essa e fissarlo con le viti (utilizzato nel caso in cui non ci sia spazio per far scorrere le lista di guida sul perno laterale, ad esempio a causa del davanzale o per la forma della tenda a rullo autoportante stessa).

Fase 1: Esecuzione dei fori per le staffe a parete/soffitto

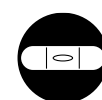
1. Posizionare le staffe per parete/soffitto sulla superficie di montaggio. Utilizzare i fori superiori per il montaggio a soffitto e i fori posteriori per il montaggio a parete.
2. Il box deve essere in posizione perfettamente orizzontale, quindi accertarsi che le staffe a parete/soffitto siano allineate correttamente. A tale scopo, utilizzare una livella ad acqua ed un piombino o un altro strumento adatto.
3. Le staffe a parete/soffitto devono essere posizionate a una distanza di 40-100 mm dai bordi del box. Eventuali staffe aggiuntive devono essere montate sempre a distanza regolare lungo la parte larga del box ed hanno lo scopo di evitare il cedimento dei box più larghi.

Per la versione autoportante, saltare la fase 1 e proseguire con la fase 2.

Fase 2: Esecuzione dei fori per le liste di guida**Guide A839, A829:**

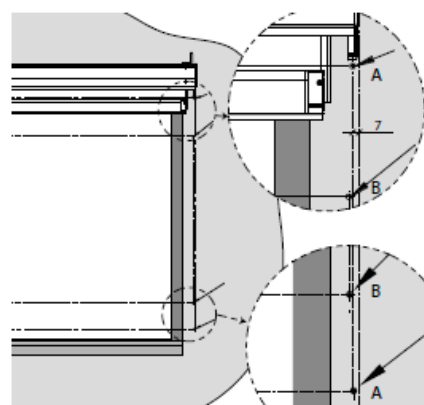
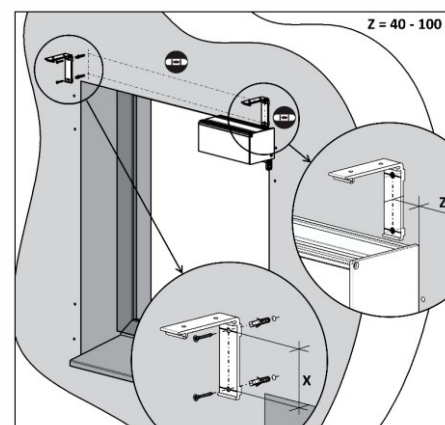
1. Segnare i fori da praticare sulla parete o su un'altra superficie di montaggio. A tale scopo, utilizzare guide preforate.
2. I fori per il fissaggio delle guide sono contrassegnati dalla lettera A nella figura.
3. B nella figura indica i fori per le cerniere.

Fissare le cerniere alla superficie di montaggio.



livella ad acqua

Tipo di box	X
90	52 mm
110	73 mm
150	115 mm

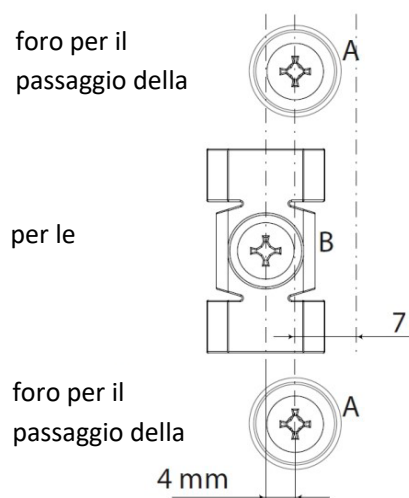
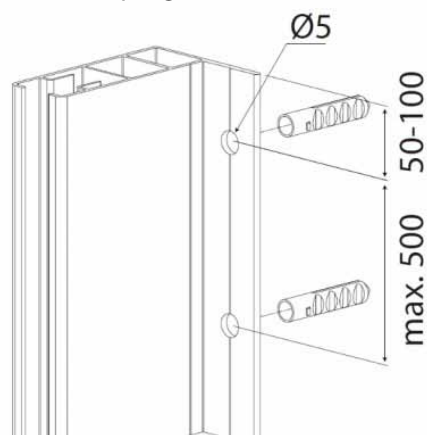


Guide A830:

Utilizzare i fori preforati nelle guide per fissare le guide A830.
Per il montaggio dei profili di guida è necessario utilizzare le viti con la rondella o con la testa più grande.

Guide A838, A828, A837:

Per il montaggio dei profili di guida è necessario utilizzare le viti con la rondella o con la testa più grande.



*A840-1 - Vedere istruzioni di montaggio

Fase 3: Montaggio delle guide sui perni delle pareti laterali

1. Posizionare il box della tenda su di cartone di imballaggio (facendo attenzione a non danneggiare la finitura).
2. Quindi far scorrere le guide preforate sui perni laterali.
3. Assicurarsi che le estremità della guida inferiore siano inserite correttamente nelle scanalature delle guide e che la cerniera del tessuto sia inserita nell'inserto di plastica della guida.

Fase 4: Posizionamento del box e delle guide

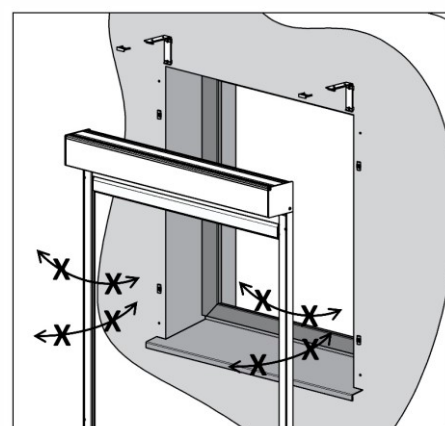
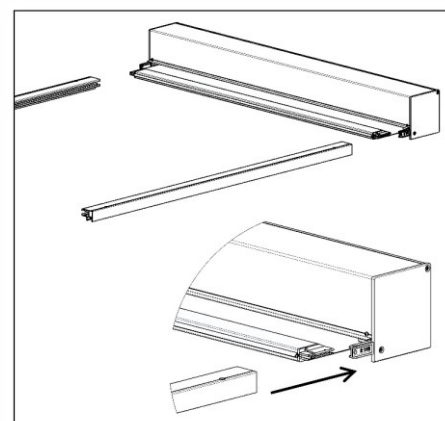
Sollevare il box con le guide. Per eseguire questa operazione è necessario un minimo di 2 persone, a seconda della larghezza complessiva del box.

Posizionare il set completo nell'apertura della finestra.

Per il montaggio dei profili di guida è necessario utilizzare le viti con la rondella o con la testa più grande.

Durante il montaggio è necessario prestare molta attenzione a non rompere il perno della fiancata.

La tenda a rullo autoportante non dispone né del profilo di montaggio né della staffa parete/soffitto, per cui una leggera incurvatura del box per la larghezza della tenda è del tutto normale. Questa incurvatura crea uno spazio ottico tra il bordo superiore del box e la controsoffittatura, in cui si monta lo screen autoportante.



Attenzione! Fare attenzione a non rompere i perni, muovendo le liste di guida troppo in avanti, dietro o a lato.

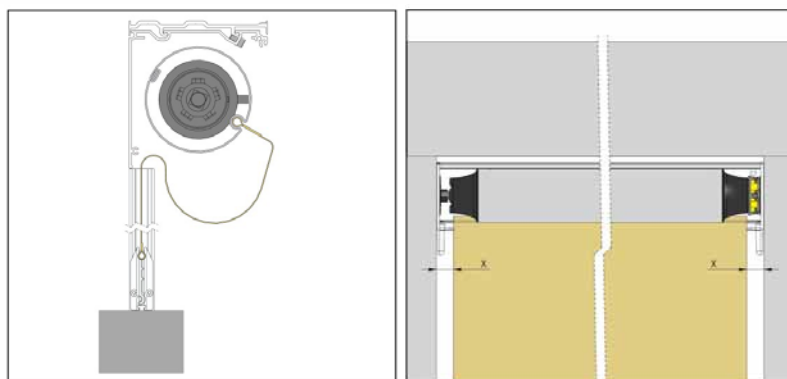
Fase 5: Fissaggio del box alle staffe a parete/soffitto e avvitatura delle guide

1. Posizionare il box nelle staffe a parete/soffitto.
2. Assicurarsi che il box sia posizionato correttamente su tutte le staffe.
3. Inserire e spingere le componenti di bloccaggio, che devono entrare in posizione corretta a scatto.
4. Per le guide A839, A829, agganciarle alle cerniere e avvitarle alla superficie di montaggio attraverso i fori A.
5. Per le guide A830, A838, A837, A828 avvitarle alla superficie di montaggio attraverso i fori A

Fase 6 Centrare il tessuto nel box

1. Far scorrere il tessuto verso il basso in modo che si srotoli completamente dal rullo (il tessuto rimane inserito nella scanalatura del rullo). Assicurarsi che il tessuto non sia sporco e che il profilo inferiore non sia danneggiato.
2. Centrare il tessuto sul rullo in modo che si trovi al centro del box (non al centro del rullo).
3. Controllare che il tessuto sia avvolto in modo dritto → eseguire 2-3 cicli di controllo (ATTENZIONE! I fine corsa del motore non sono impostati!).

Terminare il controllo in modo che la barra inferiore sia posizionata circa 15 cm sotto il box

**Fase 7: Impostazioni del motore**

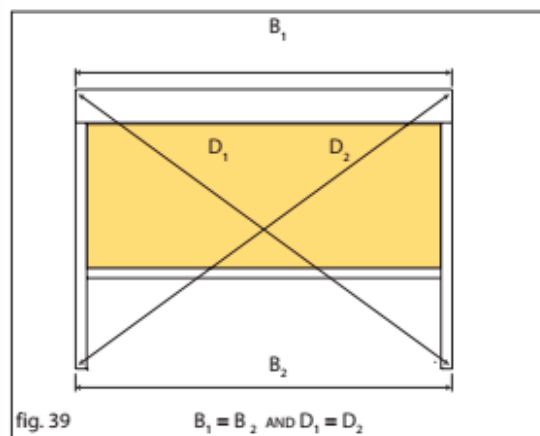
Impostare i fine corsa del motore a seconda del tipo di motore (vedere il Manuale del motore).

Fase 8: Controllo dell'installazione

Assicurarsi sempre che la tenda a rullo sia installata correttamente:

1. Verificare innanzitutto che il box sia montato orizzontalmente.
2. Verificare che le due guide siano parallele tra loro e perpendicolari al box.
3. Misurare e confrontare le diagonali tra loro con precisione al millimetro.

Se il box e le guide non sono montati correttamente, la guida inferiore entrerà sempre nel cassonetto in modo inclinato, causando l'increspatura o lo strappo del tessuto dall'inserimento in plastica della guida.



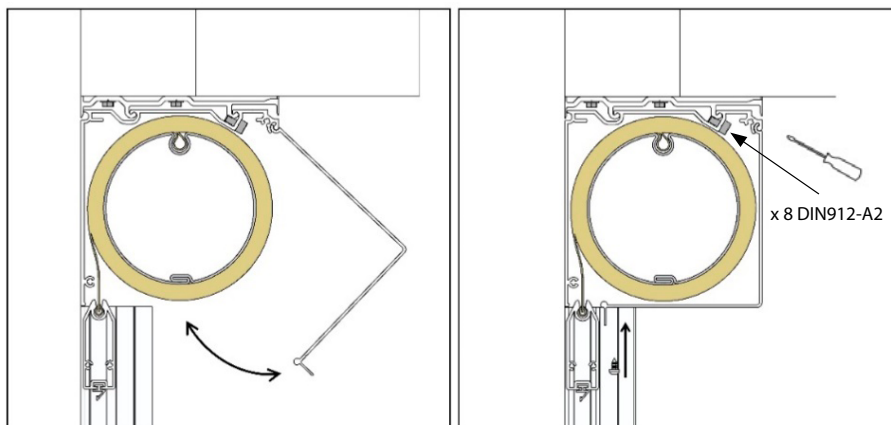
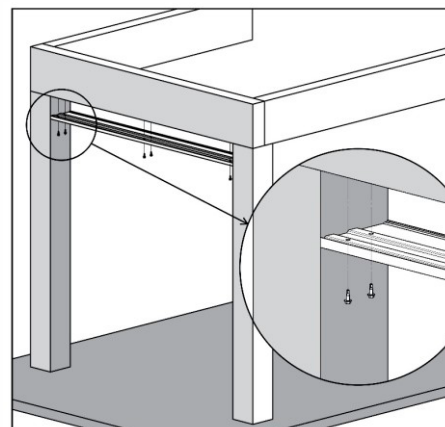
Opzione B: utilizzo del profilo di montaggio

Fase 1: Fissaggio del profilo di montaggio

1. Posizionare il profilo sulla superficie di montaggio e segnare le posizioni in base ai fori preforati. La superficie di montaggio deve essere perfettamente orizzontale!
2. Preforare i fori in base ai dispositivi di fissaggio utilizzati e avvitare il profilo di montaggio.

Fase 2: Fissaggio del box al profilo di montaggio

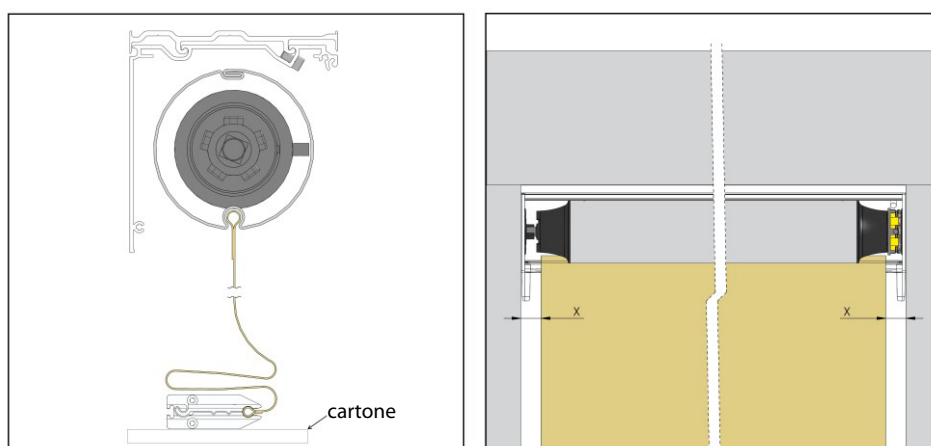
1. Rimuovere il coperchio anteriore del box
2. Inserire il box nel profilo di montaggio
3. Assicurarsi che il box sia inserito correttamente a tutta lunghezza in entrambe le serrature.
4. Avvitare le viti M4 in dotazione nei fori preforati del box.



Fase 3: Centrare il tessuto nel box

1. Far scorrere il tessuto verso il basso in modo che si srotoli completamente dal rullo (il tessuto rimane inserito nella scanalatura del rullo). Assicurarsi che il tessuto non sia sporco e che il profilo inferiore non sia danneggiato.
2. Centrare il tessuto sul rullo in modo che si trovi al centro del box (non al centro del rullo).
3. Controllare che il tessuto sia avvolto in modo dritto → eseguire 2-3 cicli di controllo (ATTENZIONE! I fine corsa del motore non sono impostati!).

Terminare il controllo in modo che la barra inferiore sia posizionata circa 15 cm sotto il box



Fase 4: Installazione delle guide

1. Far scorrere le guide sui perni laterali.
2. Assicurarsi che le estremità della guida inferiore siano inserite correttamente nelle scanalature delle guide e che la cerniera del tessuto sia inserita nell'inserto di plastica della guida.
3. Avvitare le guide.

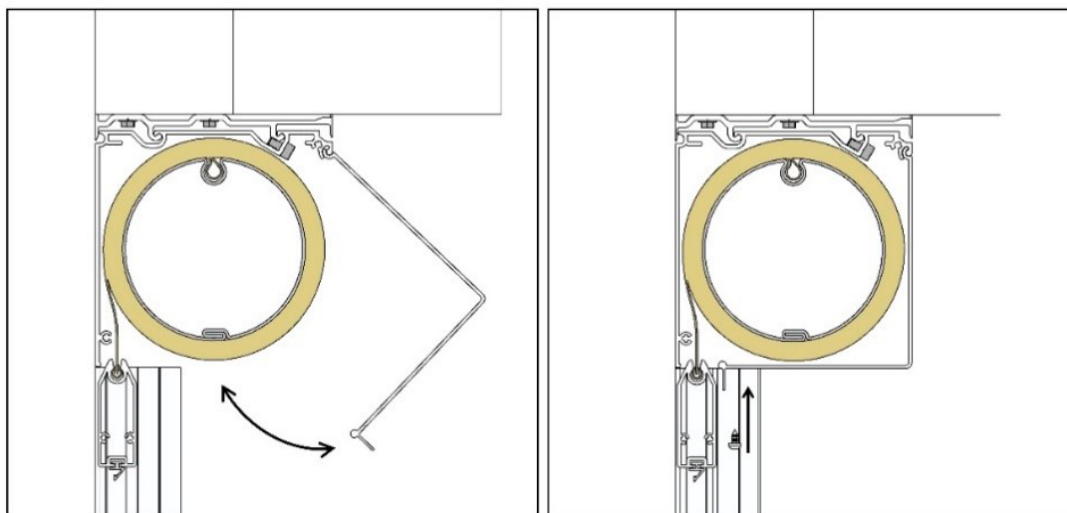
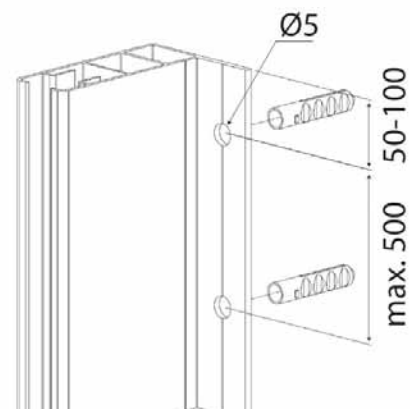
Fase 5 Installazione del coperchio anteriore

Rimontare il coperchio anteriore del box.

Dopo aver installato le tende, è necessario dal lato



rimuovere il fermacavo.

**Fase 6: Impostazioni del motore**

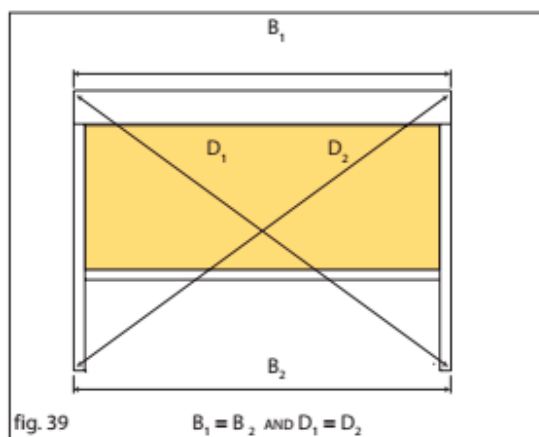
Impostare i fine corsa del motore a seconda del tipo di motore (vedere il Manuale del motore).

Fase 7: Controllo dell'installazione

Assicurarsi sempre che la tenda a rullo sia installata correttamente:

1. Verificare innanzitutto che il box sia montato orizzontalmente.
2. Verificare che le due guide siano parallele tra loro e perpendicolari al box.
3. Misurare e confrontare le diagonali tra loro con precisione al millimetro.

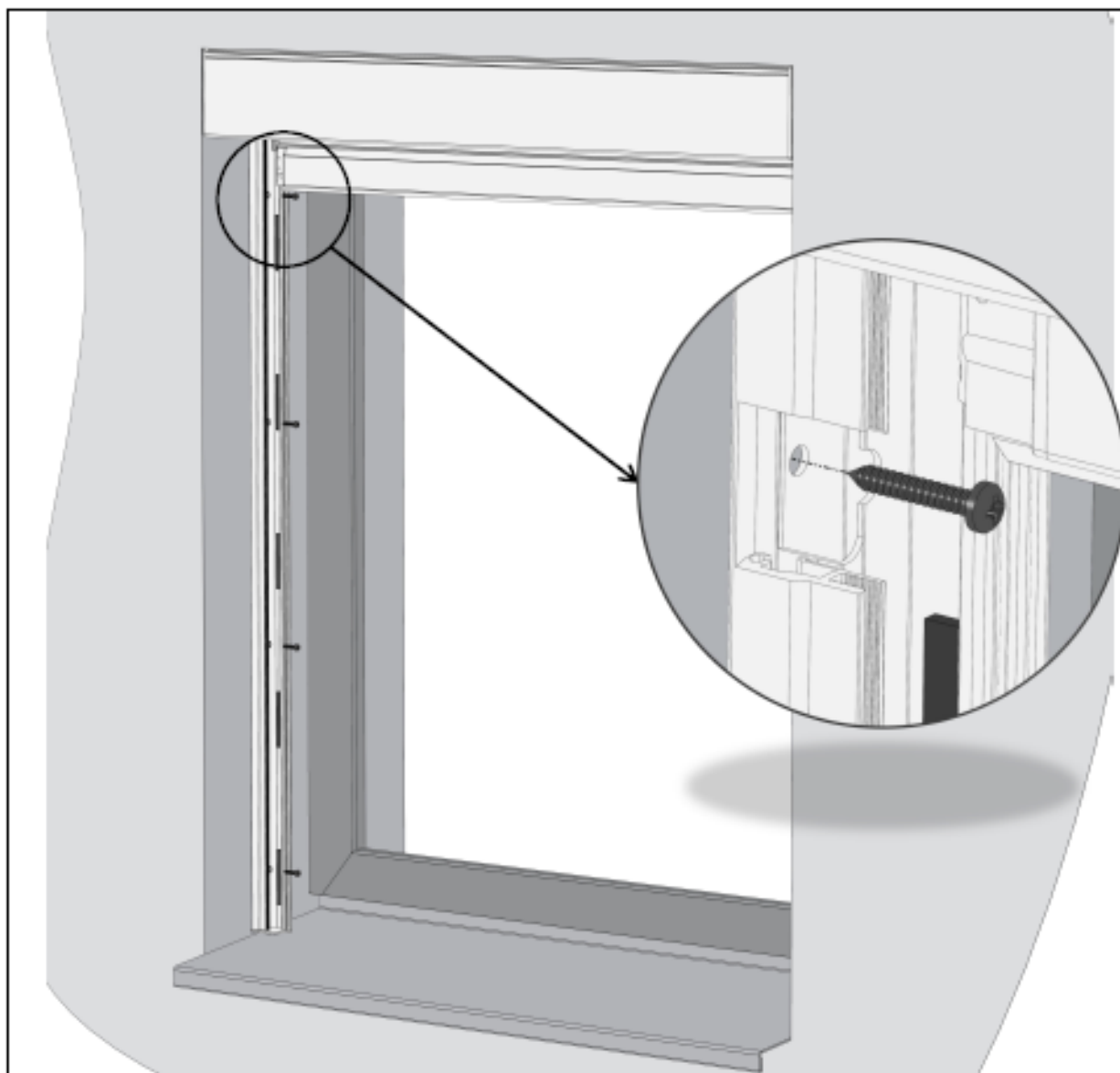
Se il box e le guide non sono montati correttamente, la guida inferiore entrerà sempre nel cassonetto in modo inclinato, causando l'increspatura o lo strappo del tessuto dall'inserto in plastica della guida.



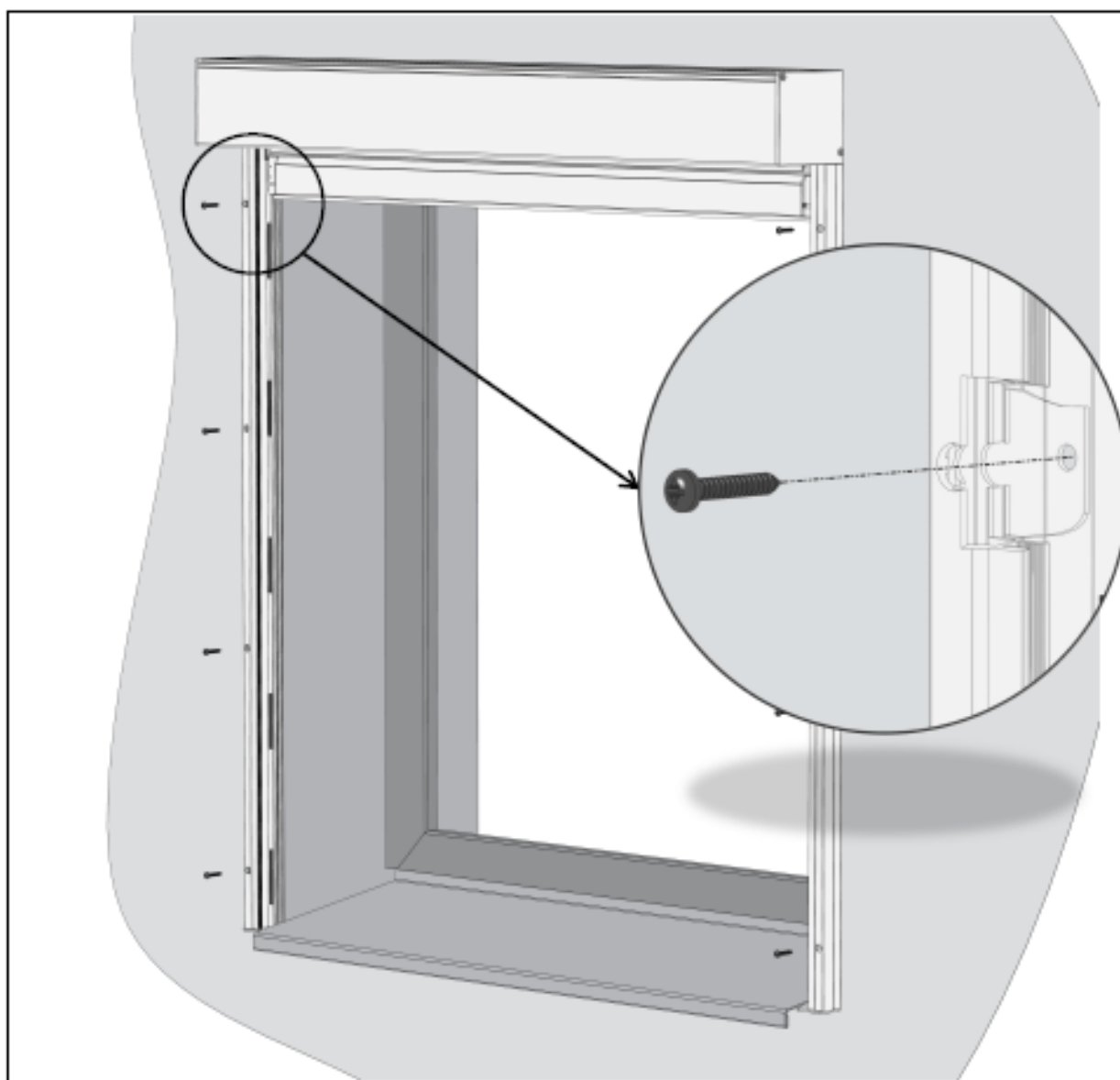
* Montaggio - guida composta A840-1

1. Montaggio della guida

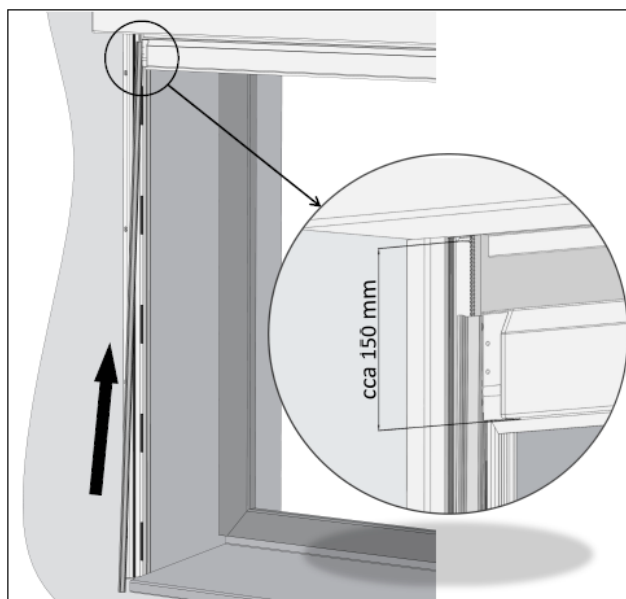
1.a Montaggio laterale della guida



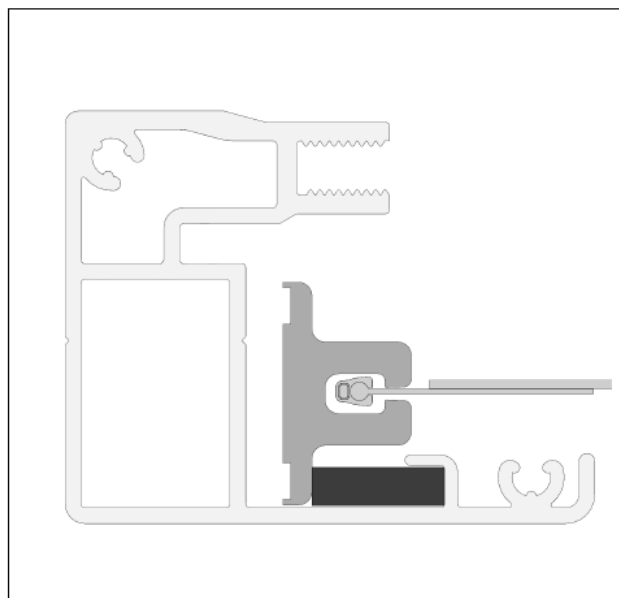
1.b Montaggio frontale della guida



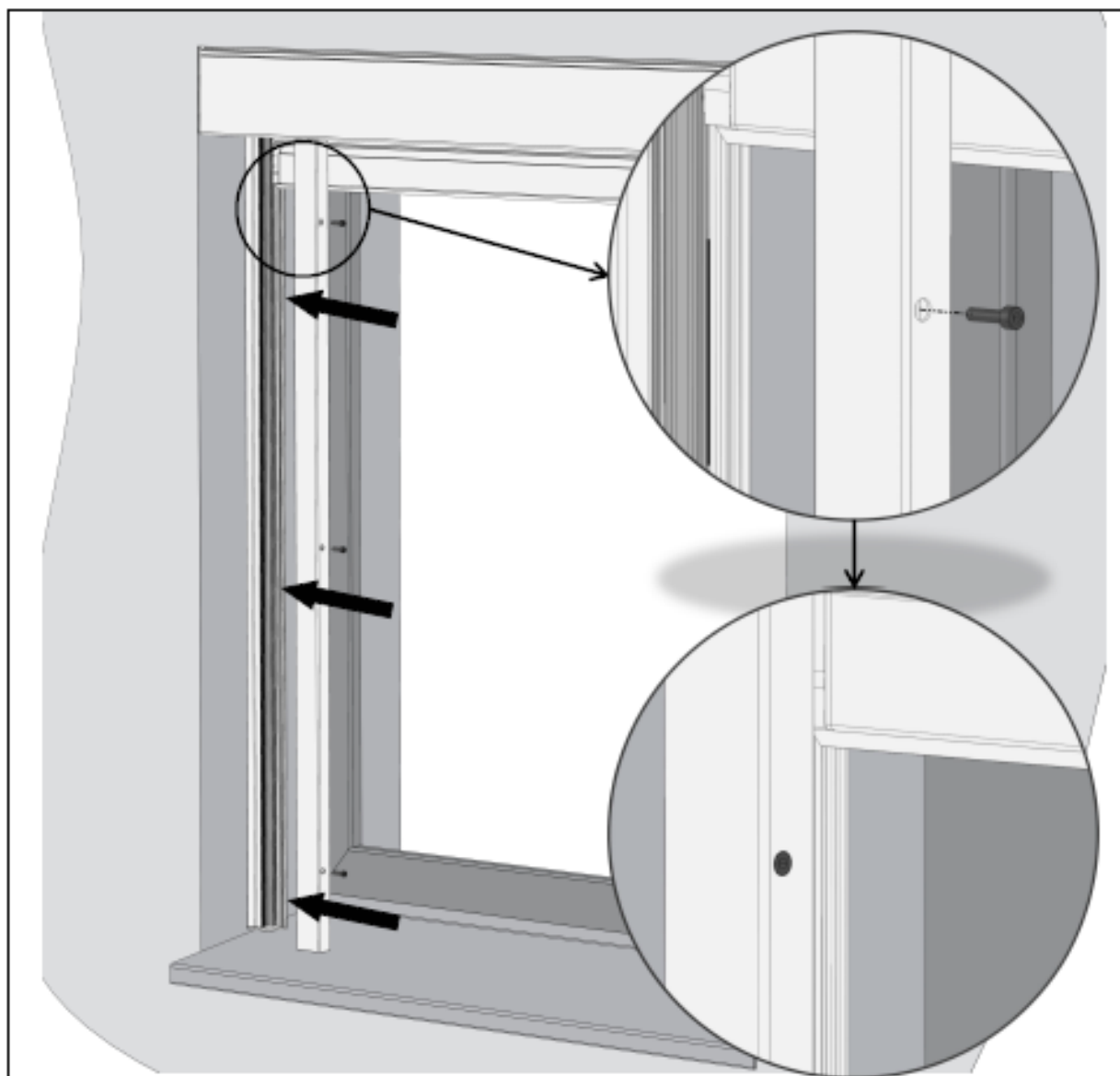
2. Inserimento del profilo a zip



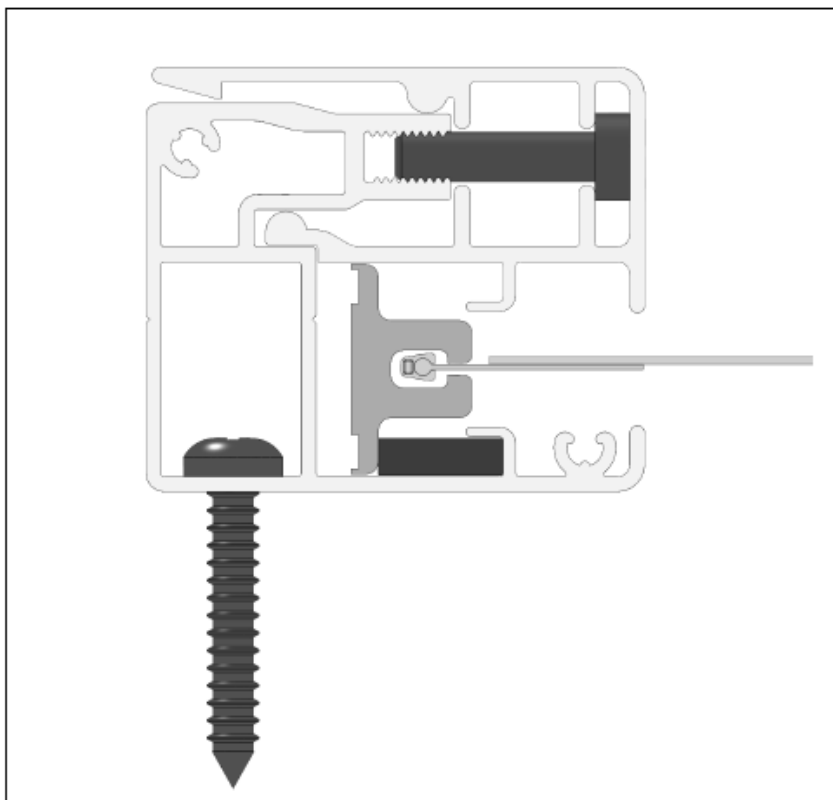
Sezione guida A840-1 dopo l'inserimento del profilo a zip



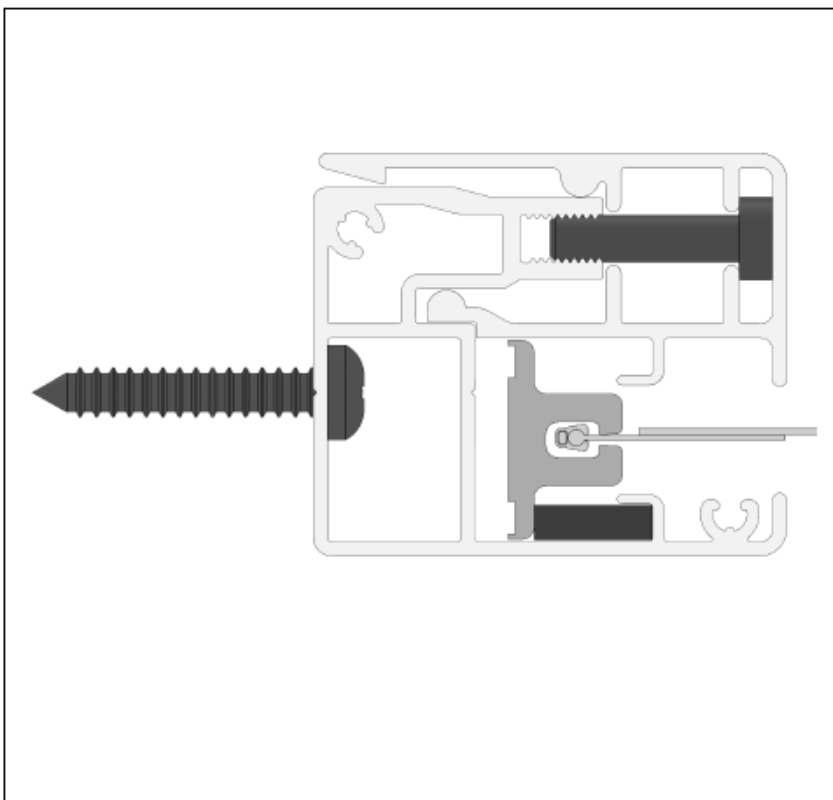
3. Inserimento della chiusura A840-1



3.a Sezione guida A840-1 dopo il montaggio frontale



3.a Sezione guida A840-1 dopo il montaggio laterale



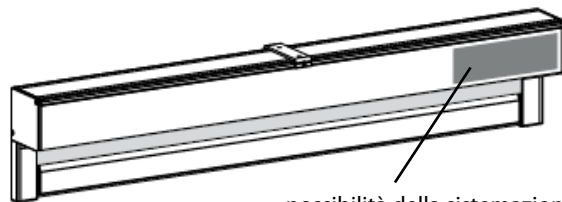
SCREEN ALFA-ZIP SOLAR (2-01576-SOLAR)

La tende a rullo screen con alimentazione solare esterna è un esempio di una tende a rullo unica e pienamente automatizzata che viene comandata senza fili e ha zero consumo di energia elettrica. Questa tende a rullo funge su principio del cosiddetto fenomeno fotovoltaico, cioè trasformazione dei raggi solari in energia elettrica. E' una soluzione ecologica e la più economica dal punto di vista energetico di propulsione per le tende a rullo. La propulsione viene alimentata da una batteria a lunga durata caricata dal pannello solare che funge in ogni condizione climatica.

Un'unità solare è adattata soltanto ad una tende a rullo screen.

I parametri di questo prodotto con motore Sunea:

- il box soltanto quadrato
- tubo Ø 55, Ø 67, Ø 85
- standard - batteria interna soltanto per il box 150
- facoltativo - uso della batteria esterna per il box 90 e 110
- il pannello solare è sempre dalla parte del motore
- il montaggio di tipo B-BE (in spalletta) non è possibile
- possibilità di più tende a rullo in un box comune, a condizione che ogni tende a rullo sia dotata del proprio motore e della propria batteria esterna.
- solo profilo inferiore 18x50



possibilità della sistemazione del pannello solare

I parametri di questo prodotto con motore ISOTRA BASIC:

- il box soltanto quadrato, 110, 150
- tubo Ø 85, 100
- standard - batteria interna (esterno al motore)
- il pannello solare è sempre dalla parte del motore
- il montaggio di tipo B-BE (in spalletta) non è possibile
- possibilità di più tende a rullo in un box comune, a condizione che ogni tende a rullo sia dotata del proprio motore.
- solo profilo inferiore 18x50

Dimensioni standard per box 90

Comando	Larghezza (mm)		Altezza (mm)		Area garantita (m ²)
	min.	max.	min.	max.	max.
sistema solare Sunea	595	2500	400	3000	8
sistema autoportante	795	1500	400	2500	8

Il kit Isotra Basic Solar non può essere utilizzato per la scatola da 90.

Dimensioni standard per box 110

Comando	Larghezza (mm)		Altezza (mm)		Area garantita (m ²)
	min.	max.	min.	max.	max.
sistema solare Isotra Basic	795	4200	400	3500	15
sistema solare Sunea	595	3200	400	3500	8
sistema autoportante	795	3500	400	3000	15

Dimensioni standard per box 150

Comando	Larghezza (mm)		Altezza (mm)		Area garantita (m ²)
	min.	max.	min.	max.	max.
sistema solare Isotra Basic	795	6000	400	5000	18
sistema solare Sunea	595	3500	400	3500	8

Set solaire ISOTRA BASIC:

- Moteur ISOTRA BASIC SOLAR 20/12
- Panneau solaire ISOTRA BASIC
- Batterie Li-ion intégrée 12V, 5200 mAh
- Charger ISOTRA BASIC
- Télécommandes ISOTRA BASIC
- Smart Zigbee
- Adattatore per motore BASIC

Nom de l'article	Nomcommercial	Numéro de dessin
moteur ISOTRA BASIC Solar 20/12	X.AM45C	6-019352-0020
Panneau solaire ISOTRA BASIC	X.AC605-03	6-019694-0000
télécommandes ISOTRA BASIC, 1-chaîne, Zigbee – argenté	X.AC153-01	6-019351-0001
télécommandes ISOTRA BASIC, 16-chaînes, Zigbee - argenté	X.AC153-06	6-019351-0006
chargeur ISOTRA BASIC, DC12, 6V	X.AC-DC12.6V	6-019353-0000
Smart Zigbee	X.AC526-01	6-019354-0000
Adattatore per motore BASIC	ISOTRA BASIC	7-3044864-9004

Set solare SUNEА:

- motore Solar kit SUNEА
- Pannello solare Oximo WireFree resin 3,2 W
- Batteria Oximo WireFree, NiMH 12V, 2,2 Ah
- Cavo per l'adattatore Oximo WireFree Wiring Harness

Nom de l'article	Nomcommercial	Numéro de dessin
Moteur SOLAR KIT „SUNEА 40 io“ 6/18	X.1241890	6-018887-0006
Moteur SOLAR KIT „SUNEА 40 io“ 10/12	X.1241891	6-018887-0010
Moteur SOLAR KIT „SUNEА 40“ 6/18 RTS DC	X.1241478	6-017545-0006
Moteur SOLAR KIT „SUNEА 40“ 10/12 RTS DC	X.1241479	6-017545-0010
Cable adaptateur OXIMO WIREFREE WIRING HARNESS	X.1783002	6-016472-0000
Oximo WireFree batteries	X.9015004	6-016469-0000
Panneau solaire Oximo 40 WF	X.9019219	6-016467-0000
Support de batterie Oximo WF - paire	X.9020878	6-016476-0000

Batterie Oximo WireFree

- Batteria Tipo NiMH
- Dimensioni 420mm x Ø 25 mm
- Classe di protezione IPx4
- Durata massima di caricamento 3,5 ore

Pannello solare Oximo WireFree

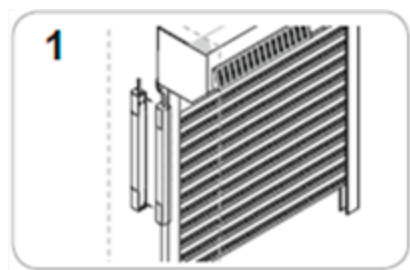
- materiale stratificato nero, fibra di vetro, con resina trasparente epossida con tecnologia fotovoltaica
- potenza assorbita 3,2 W
- dimensioni 470 x 60 x 6 mm
- classe di protezione X4 (cellule sensibili alla luce: IP67)
- fornisce l'energia anche a cielo coperto

Montaggio dell'alimentazione solare:

La batteria può essere installata in una stanza ma può essere anche sistemata da fuori nel box di avvolgimento, ma così che non sia esposta alla diretta azione dell'ambiente esterno; la batteria non dovrebbe essere esposta alla pioggia e ai raggi solari diretti.

Temperatura di lavoro è da -20°C a + 70°C. La classe di protezione IP e X4, il che significa che il prodotto è protetto dagli spruzzi dell'acqua in tutte le angolazioni.

La batteria Oximo WireFree TM deve essere installata così da essere protetta dalle condizioni atmosferiche. Può essere ad esempio attaccata dietro la lista di guida della tende a rullo (1), dietro il box della tende a rullo o da sotto del box (2), sotto il telaio della finestra o nell'angolo della parete interna - il punto adeguato va scelto secondo la posizione, la costruzione e il tipo della tende a rullo. Attenzione! La batteria deve rimanere raggiungibile in una qualsiasi posizione della tende a rullo, al fine che sia sempre raggiungibile il tasto PROG per permettere la sua manutenzione, eventualmente caricamento dal caricatore esterno o il suo cambiamento. Non chiudere la batteria in un involucro non traspirante. Se la batteria verrà installata in una posizione diversa da orizzontale, poi l'uscita del cavo di alimentazione dovrà essere sempre orientata verso l'alto.



Le batterie sono sempre posizionate all'esterno, non all'interno della scatola, in tutti e tre i formati.

SCREEN ALFA PLUS-ZIP

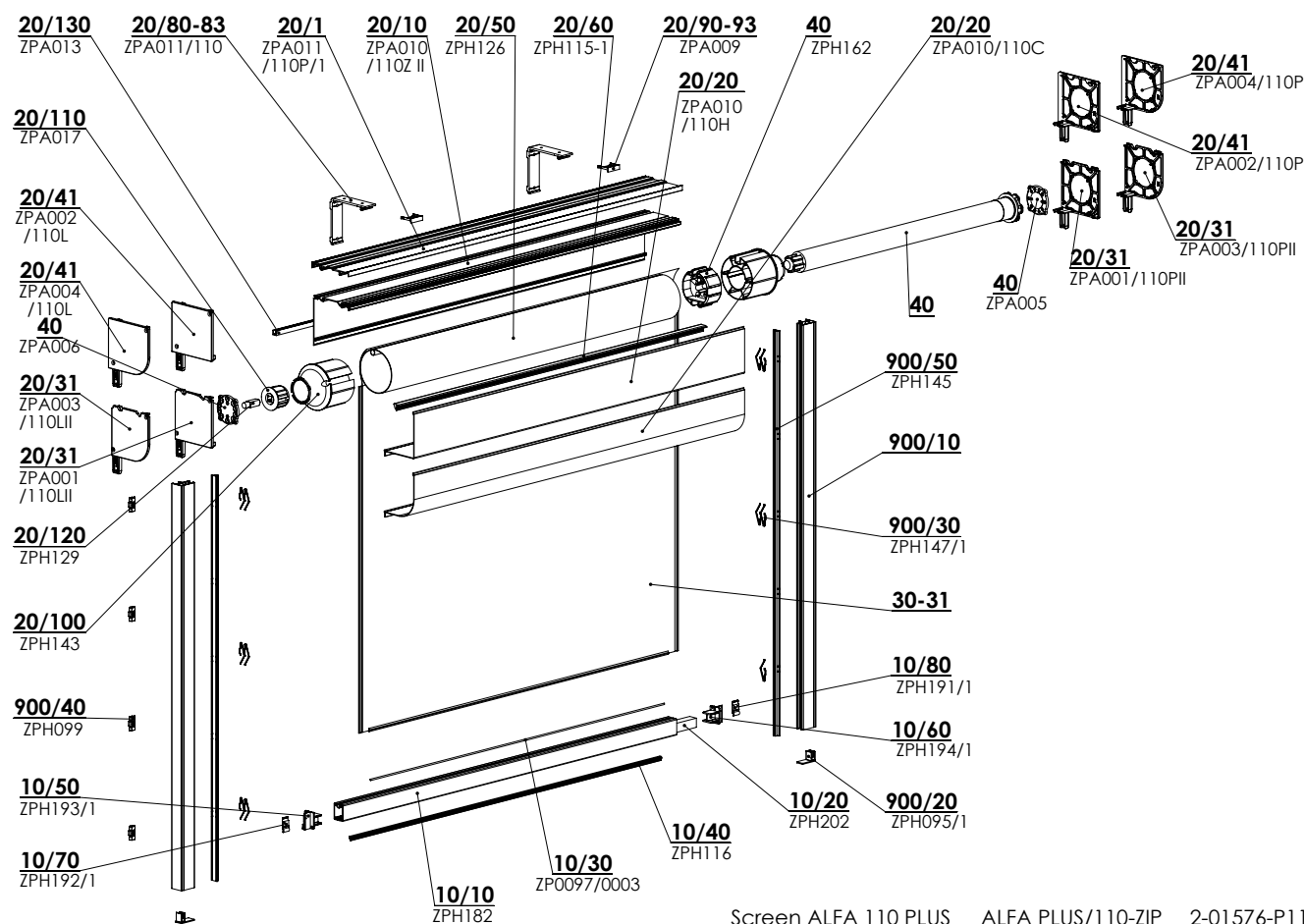


- ▲ 2 tipi di box moderni: quadrato per l'architettura semplice o arrotondato per edifici più tradizionali
- ▲ Lista inferiore bilanciata per la guida e il distendimento del tessuto
- ▲ Classe resistenza al vento 6
- ▲ Montaggio facile e veloce
- ▲ Area garantita di fino a 12m²

ISOTRA *Quality*

SCREEN ALFA PLUS-ZIP

Specificazione base del prodotto



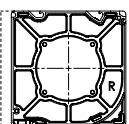
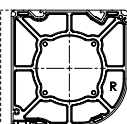
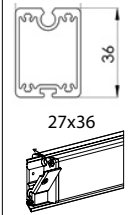
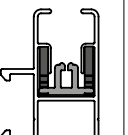
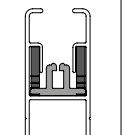
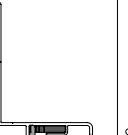
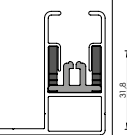
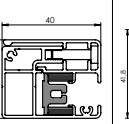
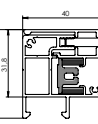
Screen ALFA 110 PLUS ALFA PLUS/110-ZIP 2-01576-P110

Comando

Serve a tirare su e giù le tende a rullo screen. Ci sono due tipi di comando disponibili:

A motore - motore asincrono tubolare standard Maestria Wt, o motore asincrono tubolare opzionale Maestria iO Geiger.

Specificazione (per il motore)

	Box		Profilo inferiore grande	Guida laterale					
	quadrato	quarto rotondo		lista di guida					
Denominazione commerciale	BOX pro SCREEN ALFA PLUS 110		ZPH182	ZPA016/839	ZPA016/830	ZPH214/837	ZPA016/838	ZPA016/840-1	ZPA037/849
Dimensioni (mm)	110x110	110x110	27X36	30x40	20x40	40x70	40x40	31,8x40	41,8x40
Materiale	Al	Al	Al	Al	Al	Al	Al	Al	Al
									
				tipo 839	tipo 830	tipo 837	tipo 838	tipo 840-1	tipo 849
Colore	Standard: RAL 9006 alluminio brillante RAL 9006S alluminio brillante struttura RAL 9007 alluminio grigiastro RAL 9007S alluminio grigiastro struttura RAL 9010 bianco puro RAL 9010M bianco puro opaco RAL 9010S bianco puro struttura			RAL 7016 grigio antracite RAL 7016M grigio antracite opaco RAL 7016S grigio antracite struttura RAL 7021 grigio nerastro RAL 8014M marrone seppia opaco RAL 8014S marrone seppia struttura DB 702 grigio chiaro perla DB 703 grigio scuro perla			altri colori RAL su richiesta*		

Dimensioni standard

Comando	Larghezza (mm)		Altezza (mm)		Area garantita (m ²)
	min.	max.	min.	max.	max.
motor iO, WT	795	4800	400	2500	12

Tessuti destinati per ALFA 110 PLUS:

SLTZ86 e SLTZ92

Fenomeni comuni di tessuti tecnici

Un'increspatura del tessuto può apparire intorno alle saldature o nel centro del tessuto perché durante l'uso agiscono sul tessuto varie forze e perciò tale fenomeno è comune. Ne fa parte anche il cosiddetto "effetto da abete" quando il tessuto è increspato nella zona di cuciture. Dei visibili segni di pressione da parte del cilindro sul tessuto spariscono con temperature superiori, quando il tessuto si ripiana.

La lista inferiore non arriva fino al box.

SCREEN ALFA PLUS-ZIP (2-01576-P110)

posizione	denominazione item	Denominazione commerciale	numero del disegno
10	Profili DIVISI + componenti - (SCREEN ALFA +)		vedi Profili divisi + componenti - (SCREEN ALFA +)
20	BOX per SCREEN ALFA+ 110 - Quarto rotondo		viz BOX pro SCREEN ALFA+ 110
20	BOX per SCREEN ALFA+ 100 - Quadrato		viz BOX pro SCREEN ALFA+ 110
30-31	Tessuto DIVISO (m2) per SCREEN		vedi il campionario SCREEN
40	Motori (SOMFY, BECKER) SCREEN SC700/800		vedi Motori (SOMFY, BECKER) SCREEN SC700/800
900-910	Guida - lista ALFA+ SINISTRA/DESTRA		vedi Guida - lista ALFA+ sinistra/destra

Profili divisi + componenti - (SCREEN ALFA +) (3-03711-PU11)

posizione	denominazione item	Denominazione commerciale	numero del disegno
10/10	Profilo inferiore - SC1000	ZPH182	6-015158-0000
10/20	Profilo dell'aggravamento della lista inferiore diam. 20x12mm - Zn	ZPH076/1	3-04746-PU27
10/30	Asta in plastica 3,0mm PVC	ZP0097/0003	6-016911-0003
10/40	Guarnizione di tenuta della lista inferiore	ZPH116	6-013974-0000
50	Terminale della lista inferiore - sinistra nera	ZPH093/1	3-03657-9004
60	Terminale della lista inferiore - destra nera	ZPH094/1	3-03656-9004
70	Sicura del terminale della lista inferiore - sinistra nera	ZPH092/1	3-03659-9004
80	Sicura del terminale della lista inferiore - destra nera	ZPH091/1	3-03658-9004

BOX pro SCREEN ALFA+ 110 (2-01640-PU11 quadrato/ 2-01641-PU11 quarto rotondo)

posizione	denominazione item	Denominazione commerciale	numero del disegno
20/1	Profilo Supporto Alfa 110 Pergola	ZPA011/110P/1	7-303888-0000
20/10	Profilo Box Alfa 110 Posteriore	ZPA010/110Z II	7-303491-0000
20/20	Profilo Box Box Alfa 110 Anteriore Quadrato	ZPA010/110H	7-303479-0000
20/20	Profilo Box Box Alfa 110 Anteriore Quarto Rotondo	ZPA010/110C	7-303480-0000
20/31	Sponda 110 Alfa H1-1 P N	ZPA001/110P/3	3-04130-0000
20/31	Sponda 110 Alfa H1-1 L N	ZPA001/110L/3	3-04131-0000
20/31	Sponda 110 Alfa K1-1 P N	ZPA003/110P/3	3-04132-0000
20/31	Sponda 110 Alfa K1-1 L N	ZPA003/110L/3	3-04133-0000
20/41	Sponda 110 Alfa H1 L N	ZPA001/110L/1	7-304064-0000
20/41	Sponda 110 Alfa H2 P N	ZPA002/110P/1	7-304065-0000
20/41	Sponda 110 Alfa H2 L N	ZPA002/110L/1	7-304066-0000
20/41	Sponda 110 Alfa K2 P N	ZPA004/110P/1	7-304069-0000
20/41	Sponda 110 Alfa K2 L N	ZPA004/110L/1	7-304070-0000
20/50	Cilindro avvolgitore SC800 Al diam. 95mm - 6m	ZPH126	6-014231-0000
20/60	Profilo per la corsa del tessuto ALFA	ZPH115-1	7-303663-0000
20/80-83	Supporto Alfa 110 Parete-soffitto	ZPA011/110	3-03496-0000
20/90-93	Sicura parete-soffitto	ZPA009	3-03483-0000
20/100	Coperchio del cilindro diam. 95mm	ZPH143	6-014237-0000
20/110	Inserto del terminale dell'albero - diam.50mm	ZPA017	3-03486-9004
20/120	Cavicchio del coperchio del cilindro - 12mm Fe/Zn	ZPH129	6-013985-0000
20/130	Profilo U da parete sottile in alluminio, 10x10x1,5	ZPA013	6-011349-0000

Motori (SOMFY) SCREEN SC700/800 (2-00530-0002)

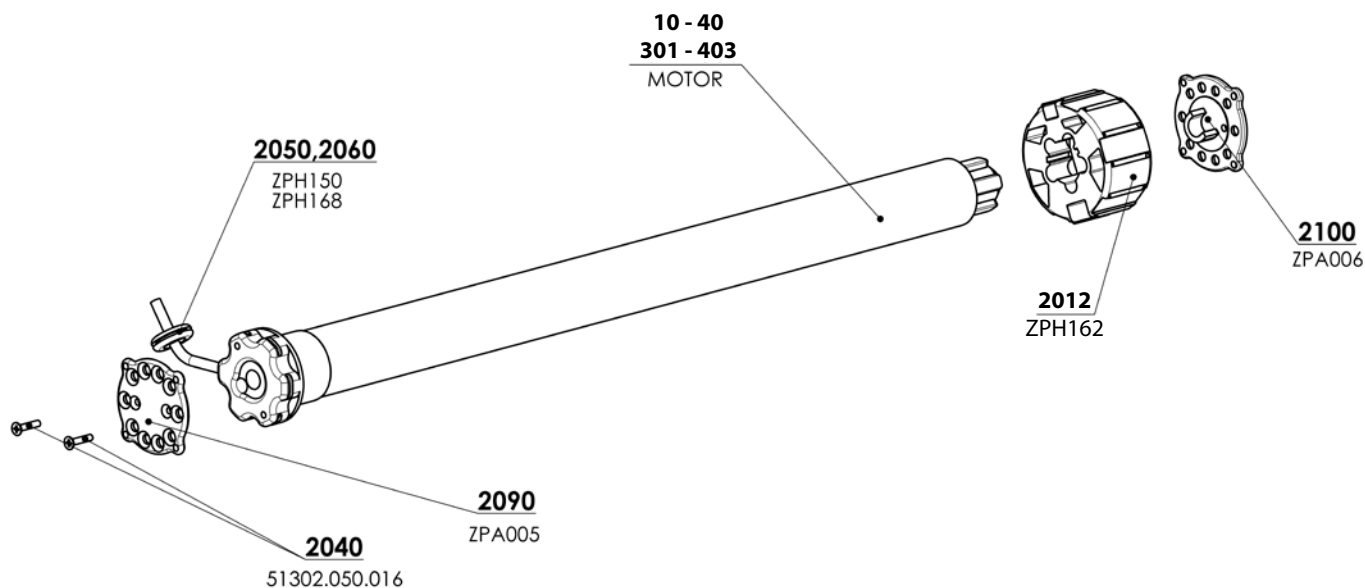
posizione	denominazione item	Denominazione commerciale	numero del disegno
40	Trascinatore LT50 HI - diam. 95mm	ZPH162	6-014327-0000
40	Asse del cuscinetto piatta	ZPA005	3-03484-9004
40	Asse del cuscinetto con clip	ZPA006	3-03485-9004

Guida - lista ALFA+ sinistra/destra (2-01642-PU11)

posizione	denominazione item	Denominazione commerciale	numero del disegno
900/20	Terminale della lista di guida - 40 mm	ZPH095/1	3-03667-0000
900/30	Molla della lista di guida ZIP SC800	ZPH147/1	7-303662-0000
900/40	Clip della lista di guida ZIP SC800	ZPH099	6-013993-0000
900/50	Profilo di guida SC800 per zip v3	ZPH145	6-014155-0000

SCREEN ALFA PLUS-ZIP

Comando a motore

**Motori (SOMFY) Screen ALFA-ZIP (2-00530-0002)**

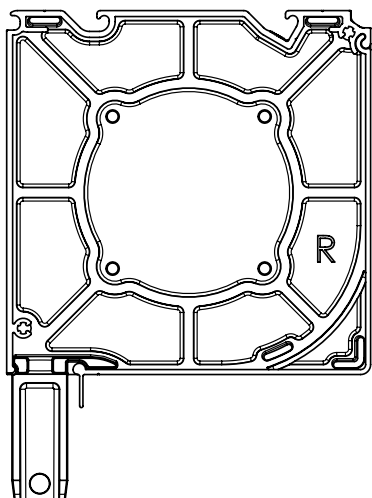
posizione	denominazione item	Denominazione commerciale	numero del disegno
10	Motore Geiger Solid Line Zip AIR 6/16	PR0790/06	6-015903-0006
11	Motore Geiger Solid Line Zip AIR 10/16	PR0790/10	6-015903-0010
12	Motore Geiger Solid Line Zip AIR 20/16	PR0790/20	6-015903-0020
301-303	Motore MAESTRIA +50 IO	ZP0084/1	6-012538-xxxx
401-403	Maestria +50 WT	ZP0093/06	6-015258-0617
2040	Vite 4,8x19 DIN 7982, testa accecata a croce	51302.050.016	6-013928-0000
2050	Isolatore passante DI GOMMA diam. 7	ZPH150	6-014339-0000
2060	Fermaglio di cavo 300x4,8 - NERO	ZPH168	6-014438-0000
2090	Asse del cuscinetto piatta	ZPA005	3-03484-9004
2100	Asse del cuscinetto con clip	ZPA006	3-03485-9004
2012	Trascinatore LT50 HI - diam. 95mm	ZPH162	6-014327-0000

SCREEN ALFA PLUS-ZIP

Specificazione tecnologica

Box quadrato 110x110

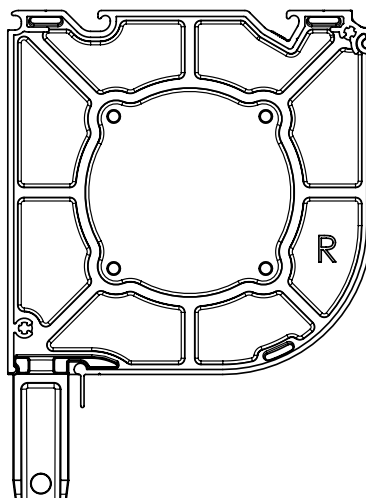
(2-01640)



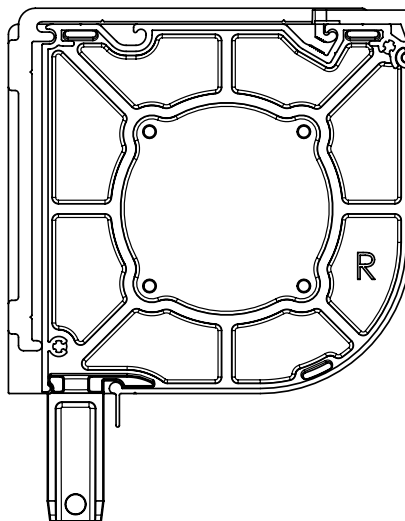
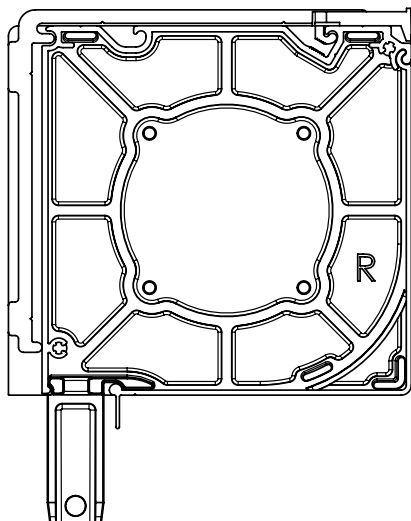
Profilo superiore - quadrato - con sponda ampliata

Box quarto rotondo 110x110

(2-01641)



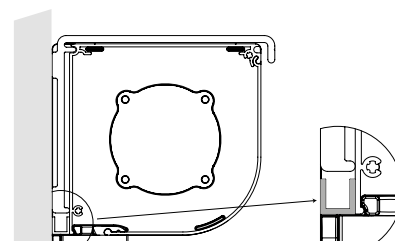
Profilo superiore - quarto rotondo - con sponda ampliata



Parte posteriore del box

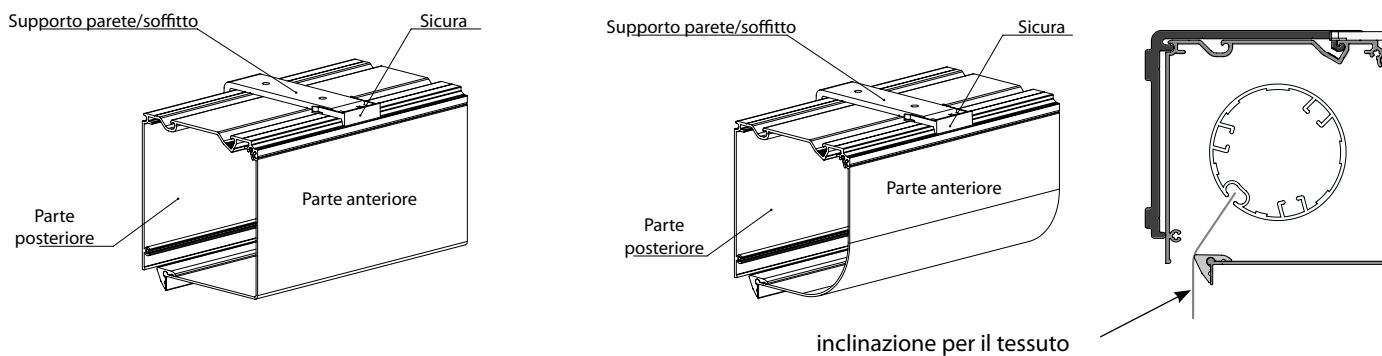
Profilo U - orizzontale

Lo spazio tra il box e la parete si può riempire orizzontalmente tramite il profilo U
Dimensioni 10 x 10 x 10 mm, la lunghezza è definita dalla larghezza del box
Per la lista di guida A839



Profilo U - orizzontale

Supporto parete/soffitto



Materiale: alluminio estruso con verniciatura in polvere

Per l'installazione di tutte le dimensioni del profilo superiore indipendentemente dalle liste di guida:

Numero standard dei supporti parete/soffitto:

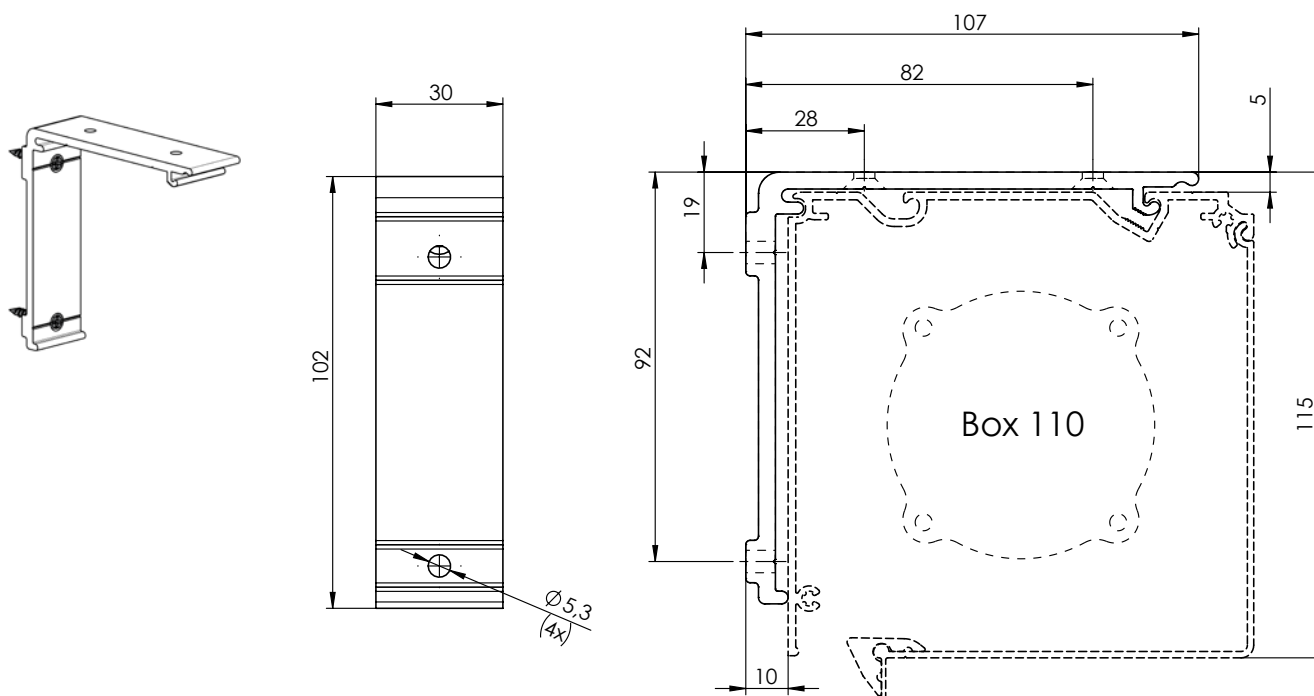
Larghezza della tende a rullo (mm)	Box 110
0-1500	2ks
1501 - 3000	3ks
3001 - 4500	4ks
4501 - 5000	5ks

Se viene usato il supporto parete/soffitto, consigliamo usare le liste di guida di tipo A839.

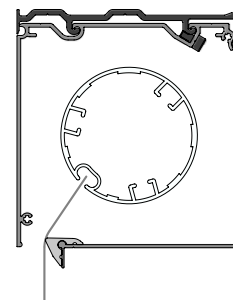
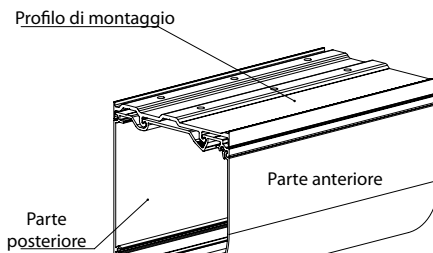
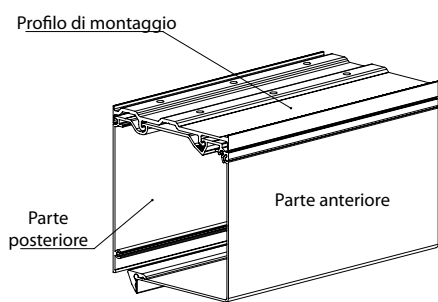
Larghezza del supporto parete/soffitto: 30 mm

Muove la parte posteriore del profilo superiore di 10 mm davanti, ugualmente come le cerniere delle liste di guida.

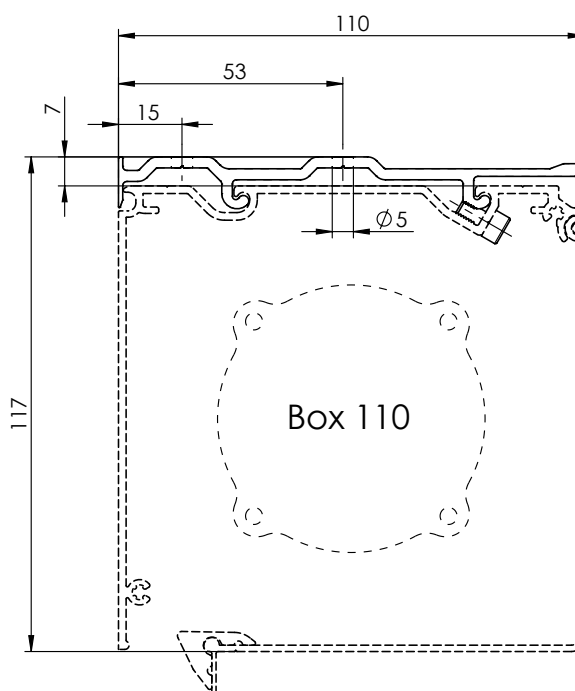
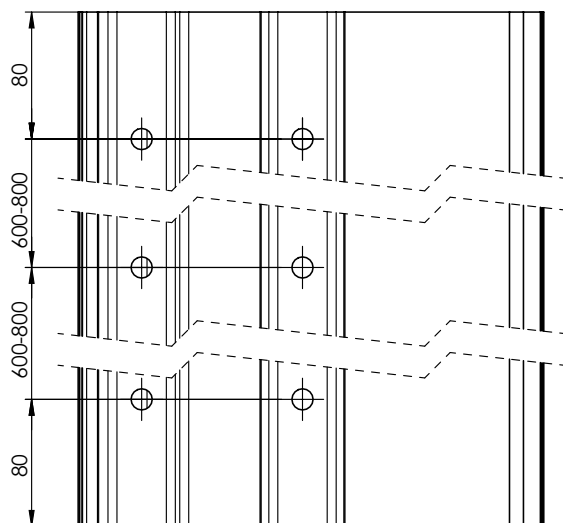
Supporto parete/soffitto



Supporto per la pergola (Profilo di montaggio)



Supporto per la pergola (Profilo di montaggio)
Spaziatura dei fori consigliata

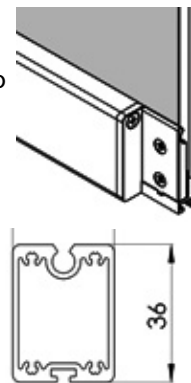


Profilo inferiore (6-015158-0000)

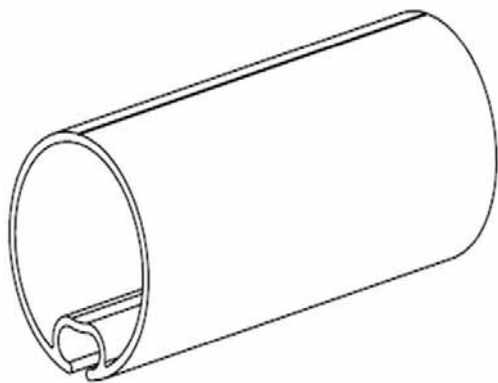
Il profilo inferiore si compone del blocco scorrevole in due parti (sinistra e destra) e del profilo in alluminio estruso. Il profilo contiene:

- Caletta per l'attacco diretto del tessuto tramite l'asta $\varnothing 3$ mm
- Camera per il nastro rinforzante
- Caletta dalla parte inferiore per infilare l'arresto di gomma (sostituibile con spazzolino)

Il blocco scorrevole in due parti garantisce il corretto distendimento del tessuto.

**Cilindro avvolgitore, diam. 95mm**

(6-014231-0000)



Materiale: acciaio zincato per tubi $\varnothing 95$ mm.

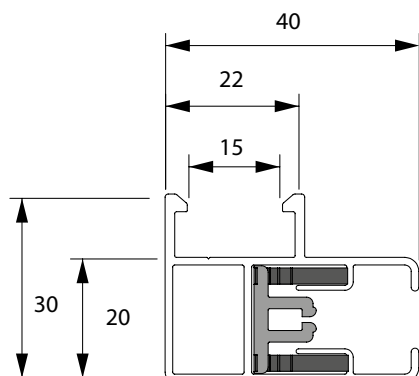
Contiene una caletta per attaccare il tessuto tramite l'asta in plastica $\varnothing 6$ mm.

Liste di guida per il motore

Materiale: profili in alluminio estruso con verniciatura in polvere

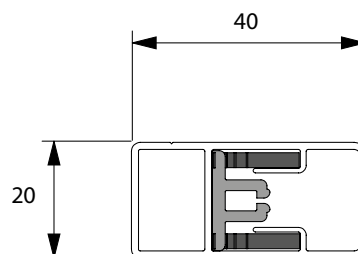
Lista di guida A839 (7-303494)

- Lista di guida standard per attaccare le cerniere o a una distanza minore rispetto alla parte laterale (10 mm).



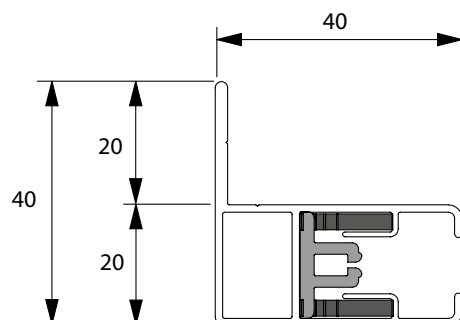
Lista di guida A830 (7-303492)

- Lista di guida piatta senza cerniere



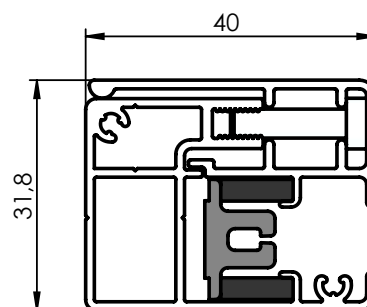
Lista di guida A838 (7-303493)

- Lista di guida con flangia di montaggio corta.



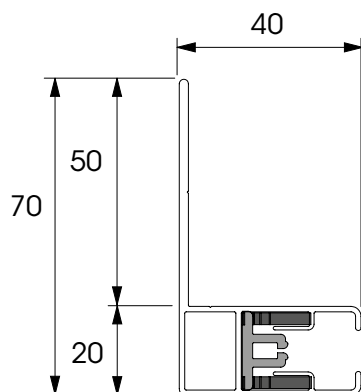
lista di guida A840-1 (7-304469-0000 + 7-304468-0000)

- guide composte, soltanto per il motore non adatto per il montaggio su telaio in combinazione con una supportoparete/soffittoposteriore



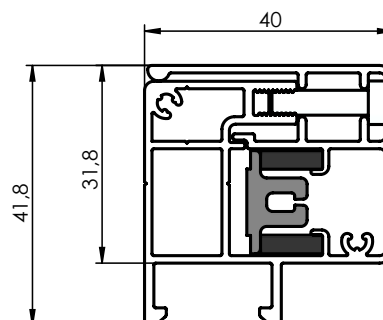
Lista di guida A837 (6-018856)

- Lista di guides de longue di montagne



lista di guida A849 (7-304470-0000+7-304468-0000)

- guide composte, soltanto per il motore
- elimina lo spazio di 10 mm quando si utilizza la staffa parete-soffitto, può essere utilizzato in combinazione con blocchi di montaggio



Guide di foratura frontale/laterale (da entrambi i lati suibordi 200 mm)

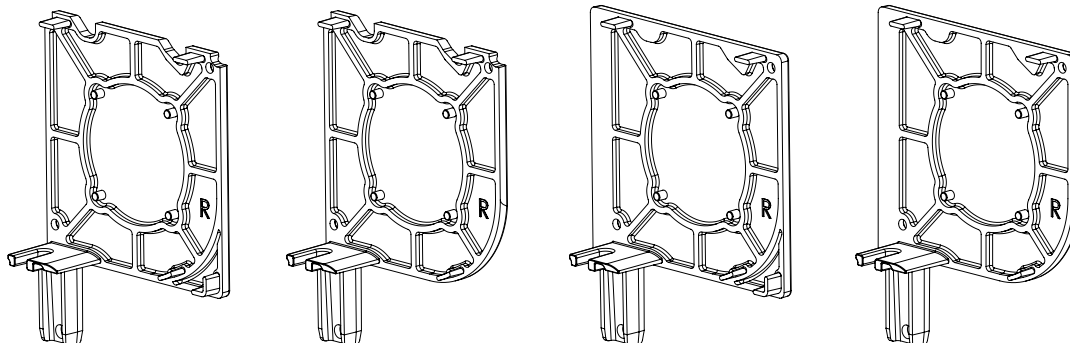
all' altezza 1500 mm	2 fori (terminali)
dall' alt. 1500 mm all' alt. 3000 mm	3 fori (2 foriterminali + 1 foro al centro)
dall' alt. 3000 mm all' alt. 4500 mm	4 fori (2 foriterminali + 2 fori al centro)
Dall' alt. 4500 mm	5 fori (2 foriterminali + 3 fori al centro)

Sponda:

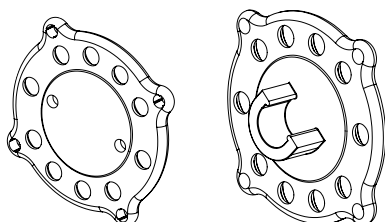
- Sponda di base:** - sponde in alluminio con cavicchi - pressofusione,
 - sponde in alluminio complete con assi portanti universali di un materiale sintetico nero.

Sponda per il profilo di montaggio

Sponda per il supporto parete-soffitto



Asse portante universale:



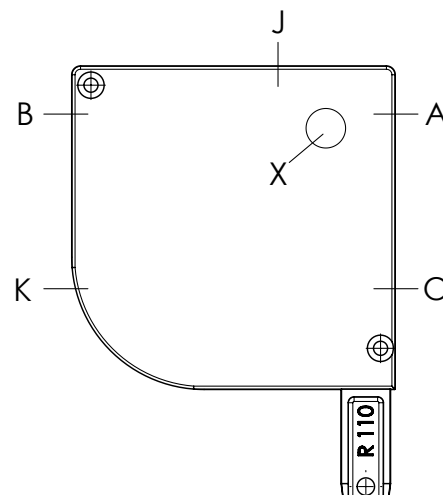
Sistemazione comando - uscita

Tipo di montaggio	Comando	O	A	X	B
		110	110	110	110
A-AE	Motori	x	x	x	
B-BE	Motori			x	x

Tipo di montaggio	Comando	K	J
		110	110
A-AE	Motori		x
B-BE	Motori	x	x

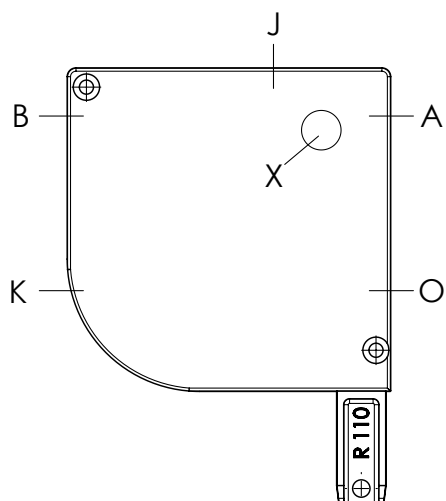
x	Si
x	Possibile soltanto con il box quadrato
J	Per il montaggio soffitto/architrave o per l'uso negli interni, per motivo di penetrazione dell'acqua
o	Non è possibile

Uscite di comando



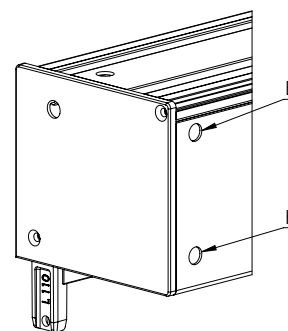
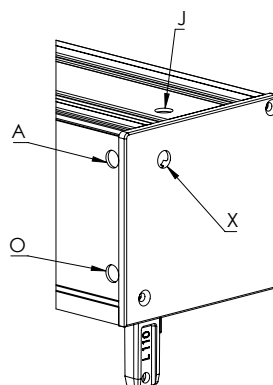
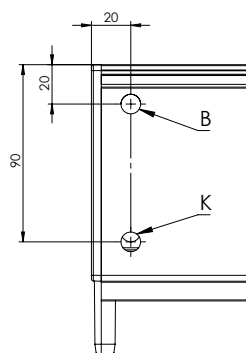
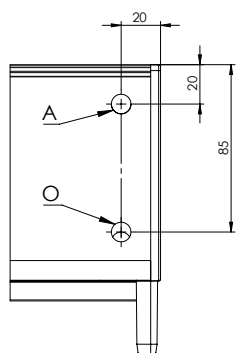
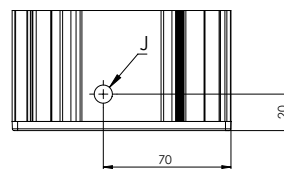
Comando – motori

Possibilità di scelta della posizione del cavo



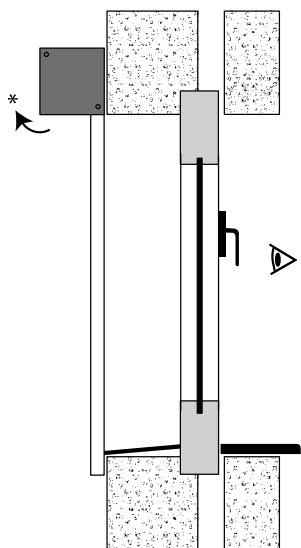
a sinistra, uscita X (dalla sponda) soltanto per il box 110

a destra, uscita X (dalla sponda) soltanto per il box 110

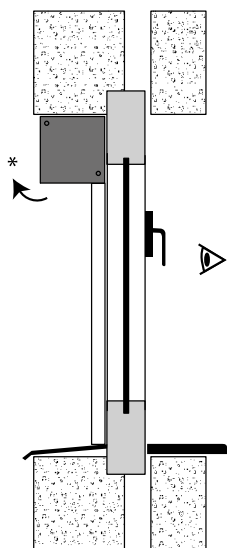


Tipo di montaggio

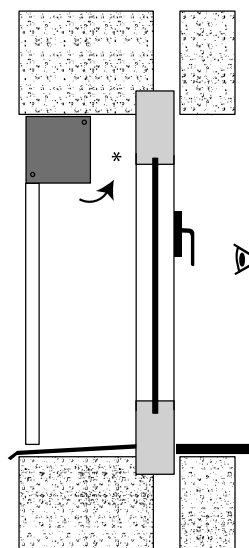
Tipo A-AE (Alla parete)



Tipo A-AE (Alla spalletta)



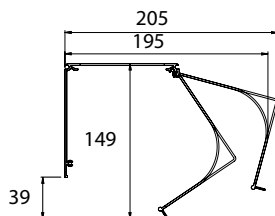
Tipo B-BE (Alla spalletta) *



- A - Massa avvolta in direzione verso la finestra "A" (standard)
- AE - Massa avvolta in direzione verso la finestra "AE" (Esterni più chiari)
- B - Massa avvolta in direzione dalla finestra "B"
- BE - Massa avvolta in direzione verso la finestra "BE" (Esterni più chiari)

* spazio per l'apertura del box

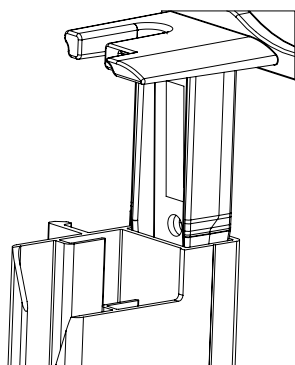
Tipo 110



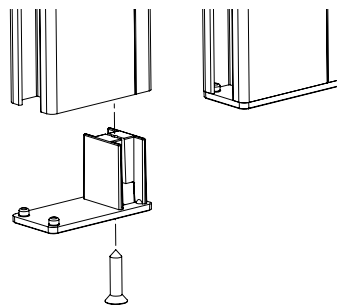
Montaggio ai perni

Il box viene installato nelle liste di guida. Le liste si muovono sui perni delle consoli.

Montaggio ai perni



Montaggio ai perni



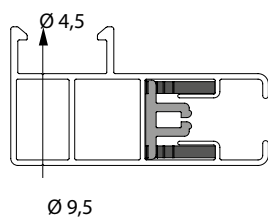
Cerniere per le liste di guida A839



Con l'arresto terminale in alluminio di colore nero; spessore 2 mm.

Alcune liste di guida possono essere fornite con fori già fatti sulla parte laterale.

Foratura sul lato frontale:



Liste di guida per i fori sul lato frontale:

Foratura	A839	A830	A837	A838
parte laterale	X	X	-	-

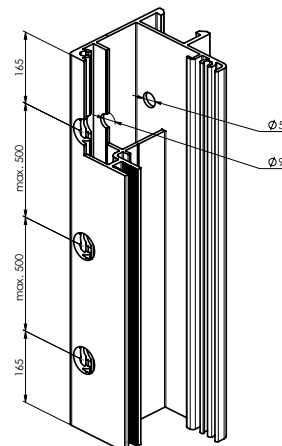
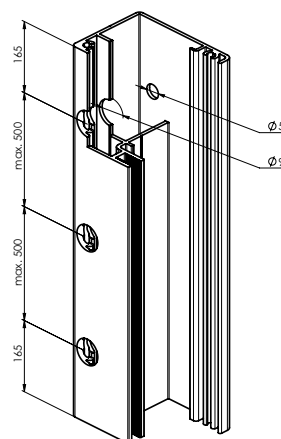
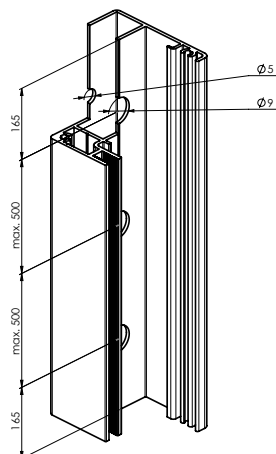
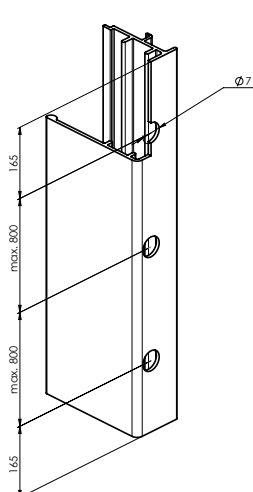
A840: foratura frontale/laterale

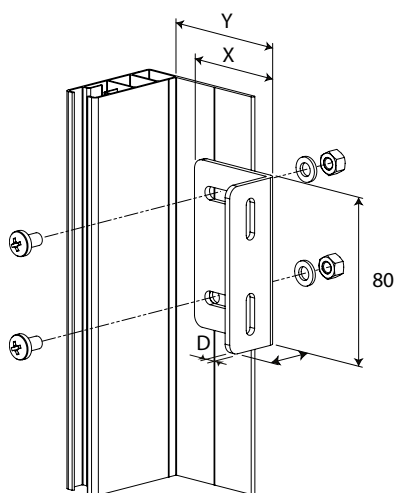
A840-1 foratura del tappo

A840-1b foratura laterale

A840-1c foratura frontale

A849:foratura frontale



Supporto per le liste di guida A838, A837:

X × H × D	X	Y	numero del disegno
50 × 30 × 3	50	50-65	6-014549-0000
60 × 30 × 3	60	60-75	6-014550-0000
100 × 30 × 3	100	100-115	6-014552-0000
130 × 30 × 3	130	130-145	6-014542-0000

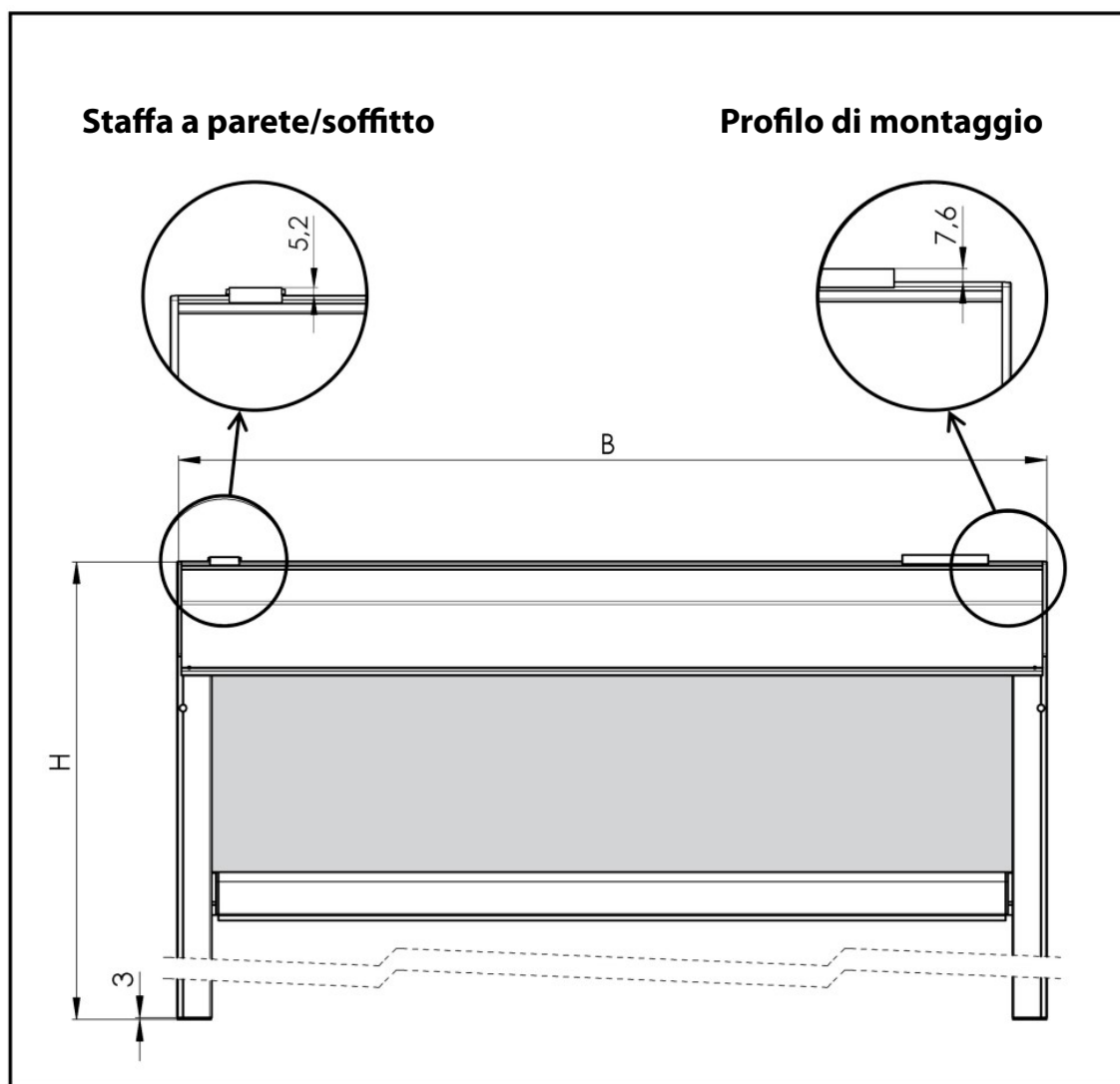
SCREEN ALFA PLUS-ZIP

Misurazione delle tende a rullo schermate ALFA PLUS-ZIP

Larghezza finale B = distanza tra le pareti laterali.

Altezza finale H = altezza comprensiva del box e delle estremità delle liste di guida (spessore delle estremità delle guide = 3 mm) esclusa la staffa a parete/soffitto o escluso il profilo di montaggio.

Maggiori informazioni nel documento separato **Istruzioni di misurazione e montaggio**.



Installazione di tende a rullo schermate ALFA PLUS-ZIP

Esistono diversi modi per installare le tende a schermo, a seconda della situazione di installazione.

NB: Per l'installazione autoportante della tenda oscurante, seguire l'opzione A, metodo 2.

Opzione A: utilizzo di staffe a parete/soffitto

Metodo 1 Fissare il box con staffe a parete/soffitto, facendo scorrere le liste di guida sul perno della parete laterale e fissando le guide con viti.

Metodo 2 Posizionare il box completo e le liste di guida nell'apertura della finestra o sopra di essa e fissarlo con le viti (utilizzato nel caso in cui non ci sia spazio per far scorrere le guide sul perno laterale, ad esempio a causa del davanzale o per la forma della tenda a rullo autoportante stessa).



livella ad acqua

METODO 1. Fissare il box con staffe a parete/soffitto, facendo scorrere le liste di guida sul perno della parete laterale e fissando le guide con viti.

|

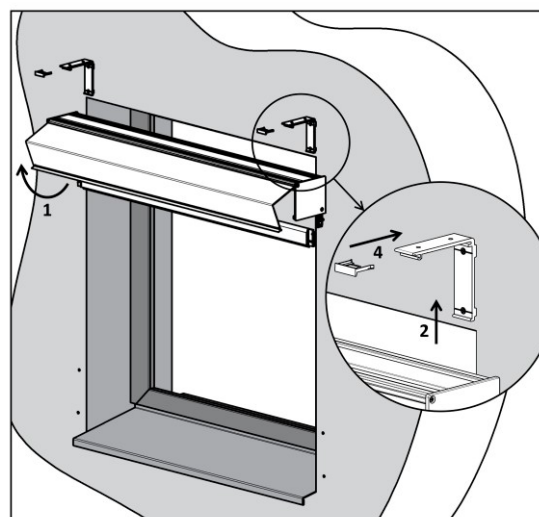
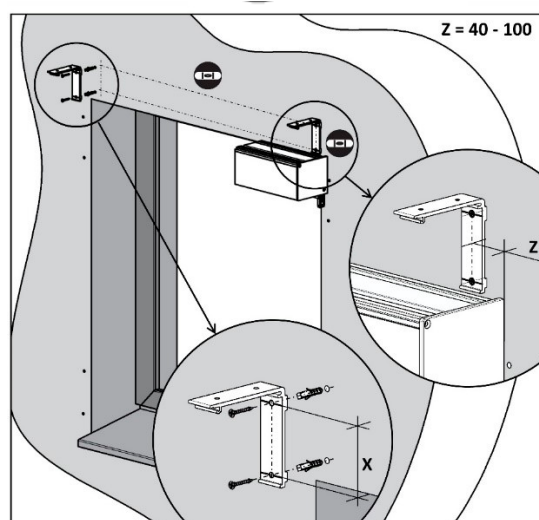
Fase 1: Esecuzione dei fori per le staffe a parete/soffitto

1. Posizionare le staffe per parete/soffitto sulla superficie di montaggio. Utilizzare i fori superiori per il montaggio a soffitto ed i fori posteriori per il montaggio a parete.
2. Il box deve essere in posizione perfettamente orizzontale, quindi accertarsi che le staffe a parete/soffitto siano allineate correttamente.
A tale scopo, utilizzare una livella ad acqua ed un piombino o un altro strumento adatto.
3. Le staffe a parete/soffitto devono essere posizionate a una distanza di 40-100 mm dai bordi del box. Eventuali staffe aggiuntive devono essere montate sempre a distanza regolare lungo la parte larga del box ed hanno lo scopo di evitare il cedimento dei box più larghi.

Fase 2: Fissaggio del box alle staffe a parete/soffitto

1. Rimuovere il coperchio anteriore del box
2. Posizionare il box nelle staffe a parete/soffitto.
3. Assicurarsi che il box sia posizionato correttamente su tutte le staffe.
4. Inserire e spingere le componenti di bloccaggio, che devono entrare in posizione corretta a scatto.

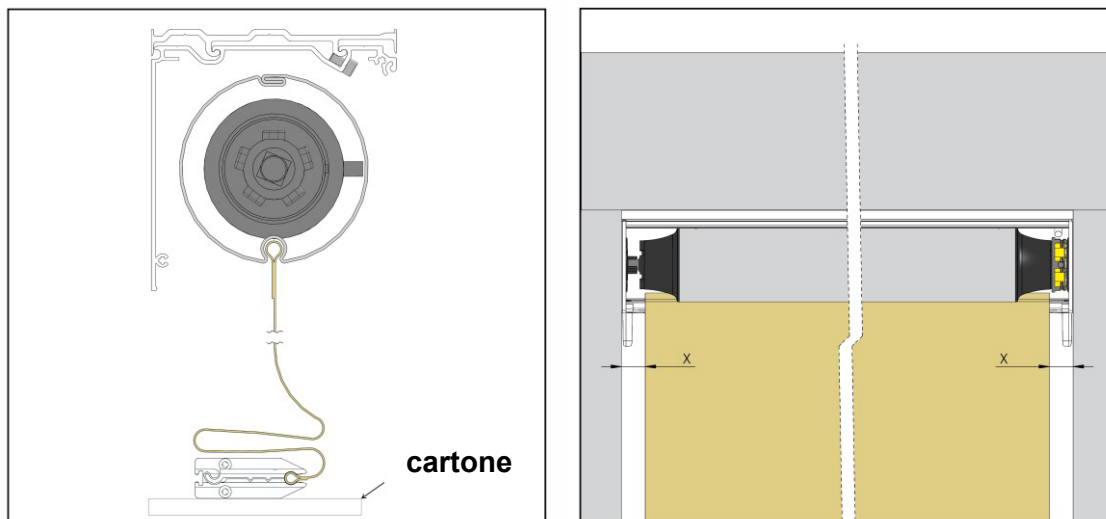
Tipo di box	X
90	52 mm
110	73 mm



Fase 3: Centrare il tessuto nel box

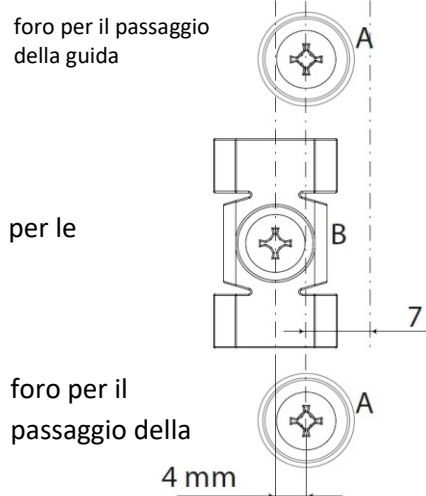
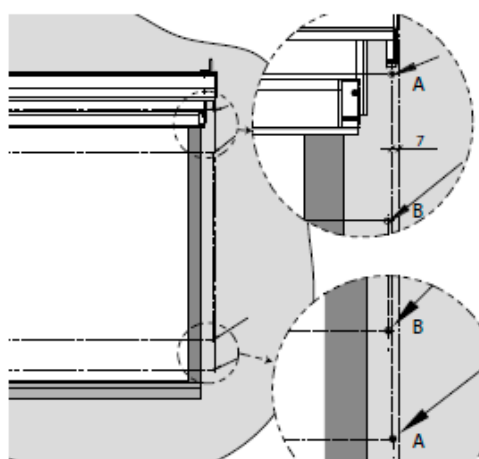
1. Far scorrere il tessuto verso il basso in modo che si srotoli completamente dal rullo (il tessuto rimane inserito nella scanalatura del rullo). Assicurarsi che il tessuto non sia sporco e che il profilo inferiore non sia danneggiato.
2. Centrare il tessuto sul rullo in modo che si trovi al centro del box (non al centro del rullo).
3. Controllare che il tessuto sia avvolto in modo dritto → eseguire 2-3 cicli di controllo (ATTENZIONE! I fine corsa del motore non sono impostati!).

Terminare il controllo in modo che la barra inferiore sia posizionata circa 15 cm sotto il box

**Fase 4: Esecuzione dei fori per le liste di guida****Guide A839, A829:**

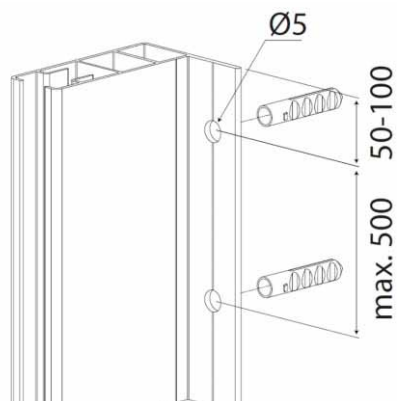
1. Segnare i fori da praticare sulla parete o su un'altra superficie di montaggio.
2. A tale scopo, utilizzare guide preforate.
3. I fori per il fissaggio delle guide sono contrassegnati dalla lettera A nella figura.
4. B nella figura indica i fori per le cerniere.

*A840 - Vedere istruzioni di montaggio



Guide A830:

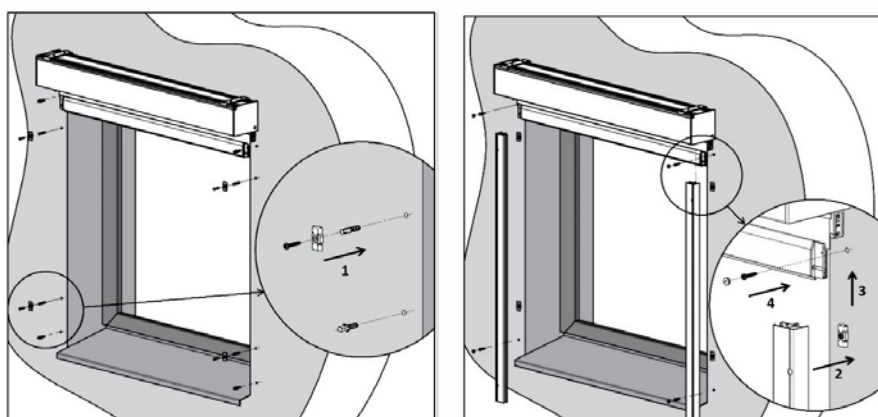
Utilizzare i fori preforati nelle guide per fissare le guide A830.

Guide A838, A828, A837:

*A840-1 - Vedere istruzioni di montaggio

Fase 5 Installazione delle guide**Guide A839, A829:**

1. Fissare le cerniere alla superficie di montaggio.
2. Agganciare a scatto le guide sulle cerniere frontalmente.
3. Far scorrere le liste di guida sui perni delle guide laterali e assicurarsi che le estremità della guida inferiore siano inserite correttamente nelle scanalature delle guide e che la cerniera del tessuto sia inserita nell'inserto di plastica della guida.
4. Avvitare le guide alla superficie di montaggio tramite i fori A.

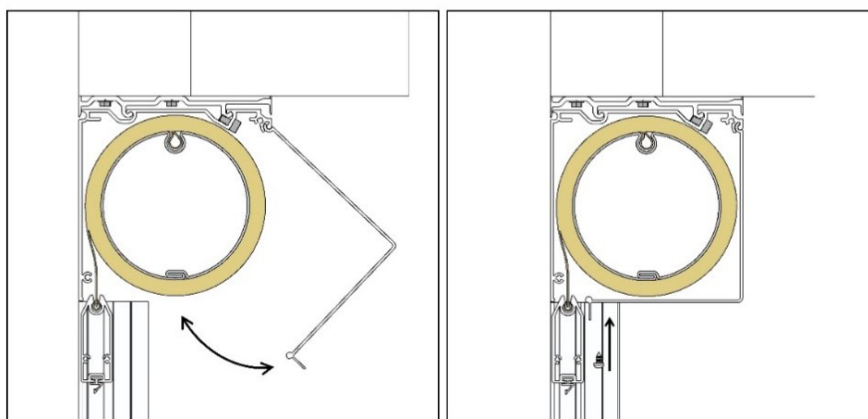
**Guide A830, A838, A828, A837:**

Far scorrere i binari di guida sui perni laterali e avvitarli alla superficie di montaggio attraverso i fori A.

Fase 6: Installazione del coperchio anteriore

Rimontare il coperchio anteriore del box.

Dopo aver installato le tende, è necessario dal lato rimuovere il fermacavo.

**Fase 7: Impostazioni del motore**

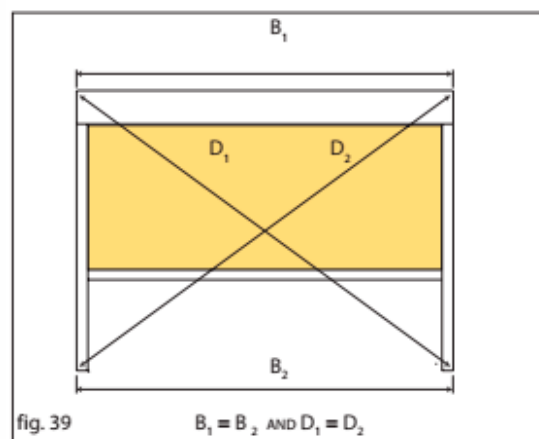
Impostare i fine corsa del motore a seconda del tipo di motore (vedere il Manuale del motore).

Fase 8: Controllo dell'installazione

Assicurarsi sempre che la tenda a rullo sia installata correttamente:

1. Verificare innanzitutto che il box sia montato orizzontalmente.
2. Verificare che le due guide siano parallele tra loro e perpendicolari al box.
3. Misurare e confrontare le diagonali tra loro con precisione a millimetro.

Se il box e le guide non sono montati correttamente, la guida inferiore entrerà sempre nel cassonetto in modo inclinato, causando l'increspatura o lo strappo del tessuto dall'insero in plastica della guida.



Metodo 2. Posizionare il box completo e le liste di guide nell'apertura della finestra o sopra di essa e fissarlo con le viti (utilizzato nel caso in cui non ci sia spazio per far scorrere la lista di guida sul perno laterale, ad esempio a causa del davanzale o per la forma della tenda a rullo autoportante stessa).

Fase 1: Esecuzione dei fori per le staffe a parete/soffitto

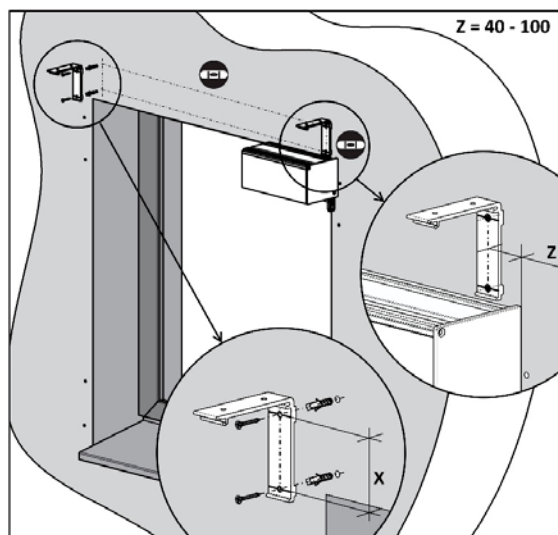
1. Posizionare le staffe per parete/soffitto sulla superficie di montaggio. Utilizzare i fori superiori per il montaggio a soffitto e i fori posteriori per il montaggio a parete.
2. Il box deve essere in posizione perfettamente orizzontale, quindi accertarsi che le staffe a parete/soffitto siano allineate correttamente. A tale scopo, utilizzare una livella ad acqua ed un piombino o un altro strumento adatto.
3. Le staffe a parete/soffitto devono essere posizionate a una distanza di 40-100 mm dai bordi del box. Eventuali staffe aggiuntive devono essere montate sempre a distanza regolare lungo la parte larga del box ed hanno lo scopo di evitare il cedimento dei box più larghi.

Per la versione autoportante, saltare la fase 1 e proseguire con la fase 2.



livella ad acqua

Tipo di box	X
90	52 mm
110	73 mm



Fase 2: Esecuzione dei fori per le liste di guida

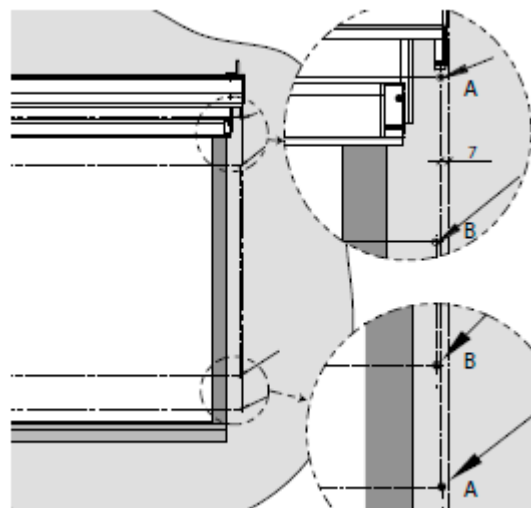
Guide A839, A829:

1. Segnare i fori da praticare sulla parete o su un'altra superficie di montaggio. A tale scopo, utilizzare guide preforate.
2. I fori per il fissaggio delle guide sono contrassegnati dalla lettera A nella figura.
3. B nella figura indica i fori per le cerniere.

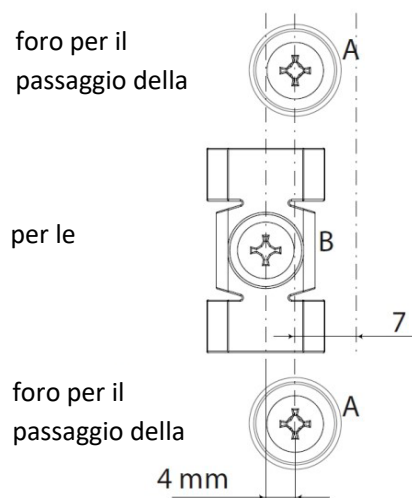
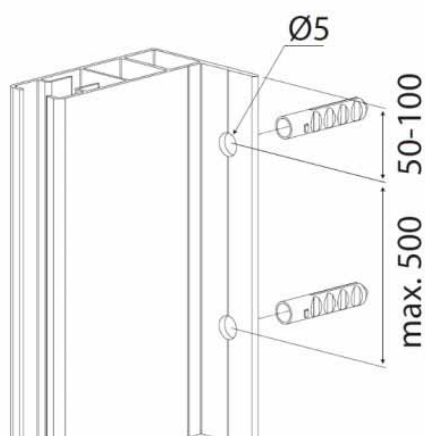
Fissare le cerniere alla superficie di montaggio.

Guide A830:

Utilizzare i fori preforati nelle guide per fissare le guide A830 e 820.



Guide A838, 828, A837:



*A840-1 - Vedere istruzioni di montaggio

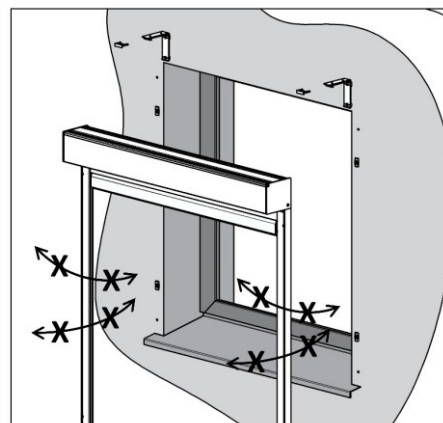
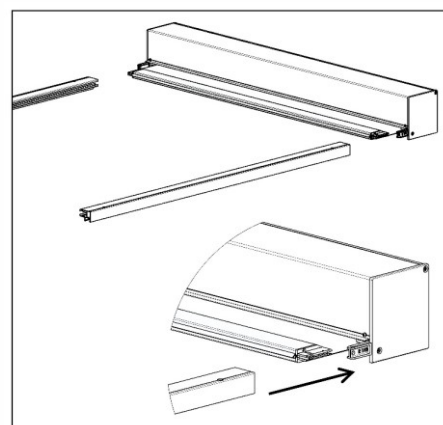
Fase 3: Montaggio delle guide sui perni delle pareti laterali

1. Posizionare il box della tenda su di cartone di imballaggio (facendo attenzione a non danneggiare la finitura).
2. Quindi far scorrere le guide preforate sui perni laterali.
3. Assicurarsi che le estremità della guida inferiore siano inserite correttamente nelle scanalature delle guide e che la cerniera del tessuto sia inserita nell'inserto di plastica della guida.

Fase 4: Posizionamento del box e delle guide

Sollevarlo il box con le guide. Per eseguire questa operazione è necessario un minimo di 2 persone, a seconda della larghezza complessiva del box.

Posizionare il set completo nell'apertura della finestra.



Attenzione! Fare attenzione a non rompere i perni, muovendo le liste di guida troppo in avanti, dietro o a lato.

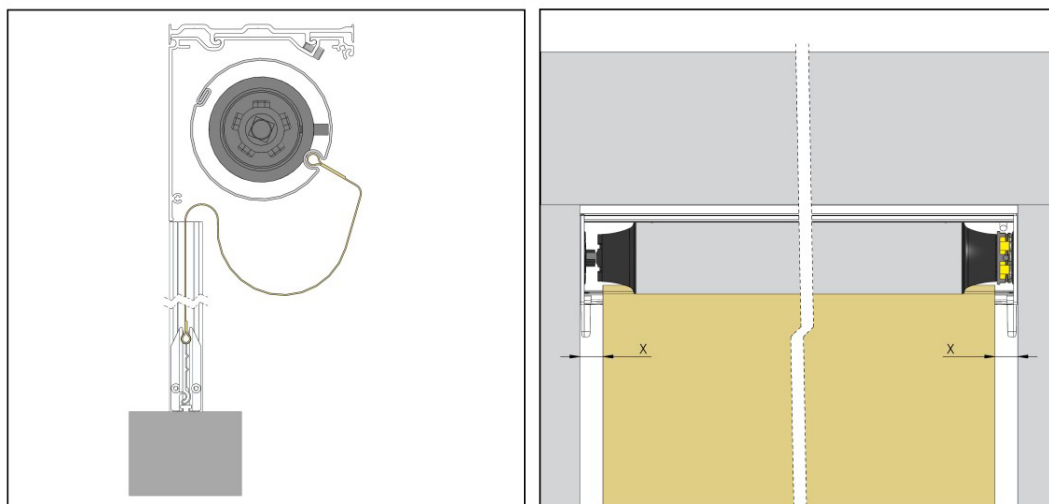
Fase 5: Fissaggio del box alle staffe a parete/soffitto e avvitatura delle guide

1. Posizionare il box nelle staffe a parete/soffitto.
2. Assicurarsi che il box sia posizionato correttamente su tutte le staffe.
3. Inserire e spingere le componenti di bloccaggio, che devono entrare in posizione corretta a scatto.
4. Per le guide A839,829, agganciarle alle cerniere e avvitarle alla superficie di montaggio attraverso i fori A.
5. Per le guide A830, A838, A837, A828 avvitarle alla superficie di montaggio attraverso i fori A.

Fase 6 Centrare il tessuto nel box

1. Far scorrere il tessuto verso il basso in modo che si srotoli completamente dal rullo (il tessuto rimane inserito nella scanalatura del rullo). Assicurarsi che il tessuto non sia sporco e che il profilo inferiore non sia danneggiato.
2. Centrare il tessuto sul rullo in modo che si trovi al centro del box (non al centro del rullo).
3. Controllare che il tessuto sia avvolto in modo dritto → eseguire 2-3 cicli di controllo (ATTENZIONE! I fine corsa del motore non sono impostati!).

Terminare il controllo in modo che la barra inferiore sia posizionata circa 15 cm sotto il box

**Fase 7: Impostazioni del motore**

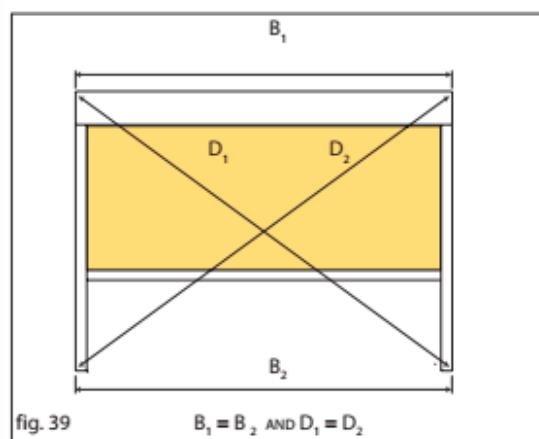
Impostare i fine corsa del motore a seconda del tipo di motore (vedere il Manuale del motore).

Fase 8: Controllo dell'installazione

Assicurarsi sempre che la tenda a rullo sia installata correttamente:

1. Verificare innanzitutto che il box sia montato orizzontalmente.
2. Verificare che le due guide siano parallele tra loro e perpendicolari al box.
3. Misurare e confrontare le diagonali tra loro con precisione al millimetro.

Se il box e le guide non sono montati correttamente, la guida inferiore entrerà sempre nel cassonetto in modo inclinato, causando l'increspatura o lo strappo del tessuto dall'inserito in plastica della guida.



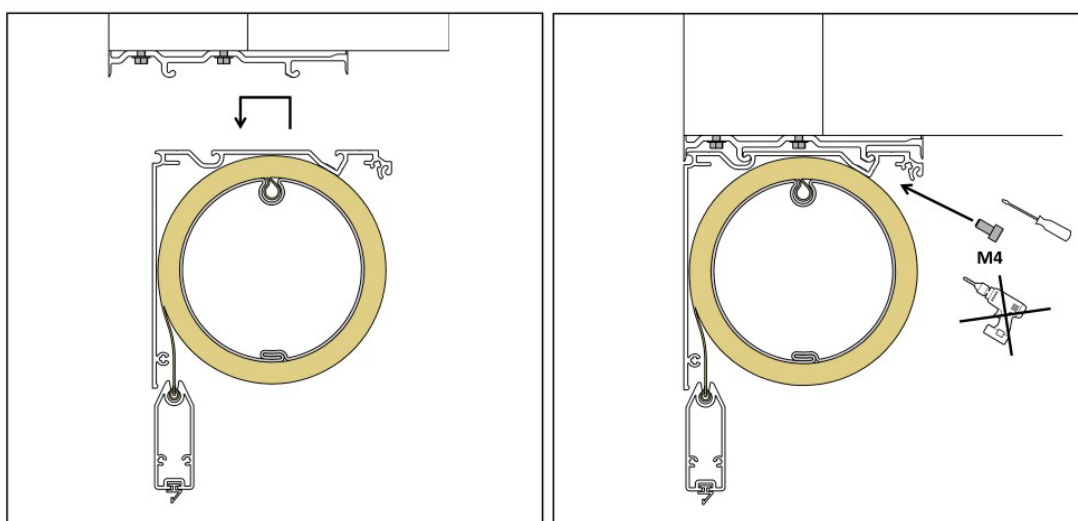
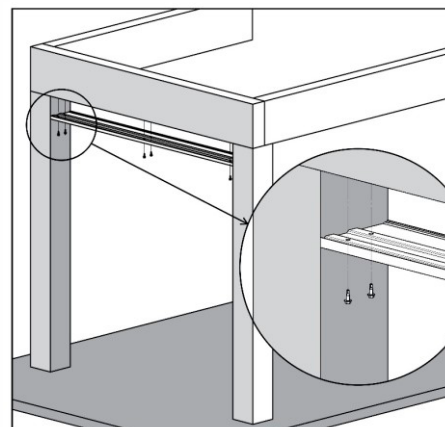
Opzione B: utilizzo del profilo di montaggio

Fase 1: Fissaggio del profilo di montaggio

1. Posizionare il profilo sulla superficie di montaggio e segnare le posizioni in base ai fori preforati. La superficie di montaggio deve essere perfettamente orizzontale!
2. Preforare i fori in base ai dispositivi di fissaggio utilizzati e avvitare il profilo di montaggio.

Fase 2: Fissaggio del box al profilo di montaggio

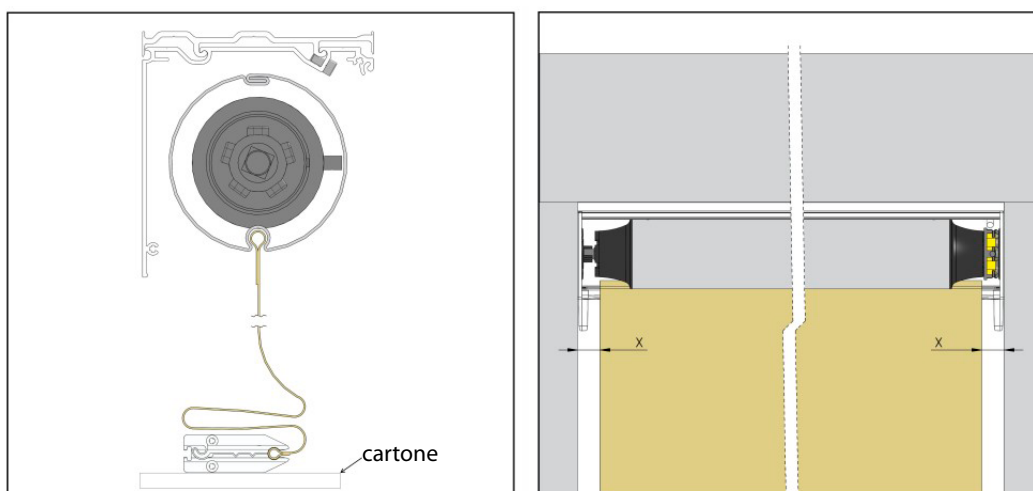
1. Rimuovere il coperchio anteriore del box
2. Inserire il box nel profilo di montaggio
3. Assicurarsi che il box sia inserito correttamente a tutta lunghezza in entrambe le serrature.
4. Avvitare le viti M4 in dotazione nei fori preforati del box.



Fase 3: Centrare il tessuto nel box

1. Far scorrere il tessuto verso il basso in modo che si srotoli completamente dal rullo (il tessuto rimane inserito nella scanalatura del rullo). Assicurarsi che il tessuto non sia sporco e che il profilo inferiore non sia danneggiato.
2. Centrare il tessuto sul rullo in modo che si trovi al centro del box (non al centro del rullo).
3. Controllare che il tessuto sia avvolto in modo dritto → eseguire 2-3 cicli di controllo (ATTENZIONE! I fine corsa del motore non sono impostati!).

Terminare il controllo in modo che la barra inferiore sia posizionata circa 15 cm sotto il box



Fase 4: Installazione delle guide

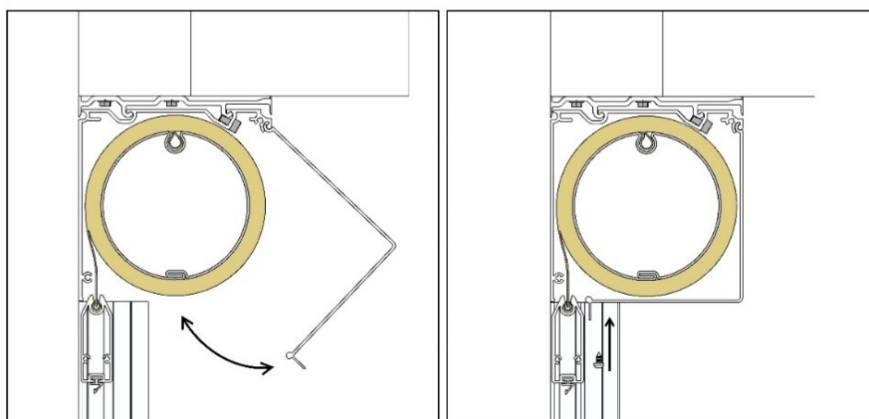
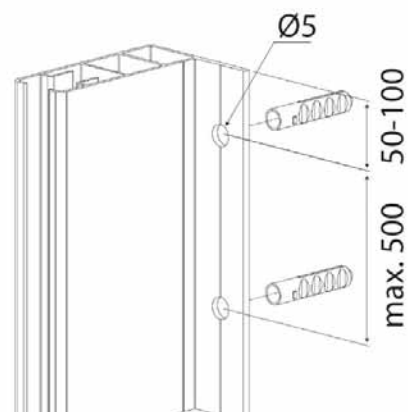
1. Far scorrere le guide sui perni laterali.
2. Assicurarsi che le estremità della guida inferiore siano inserite correttamente nelle scanalature delle guide e che la cerniera del tessuto sia inserita nell'inserto di plastica della guida.
3. Avvitare le guide.

Fase 5 Installazione del coperchio anteriore

Rimontare il coperchio anteriore del box.

Dopo aver installato le tende, è necessario dal lato

rimuovere il fermacavo.

**Fase 6: Impostazioni del motore**

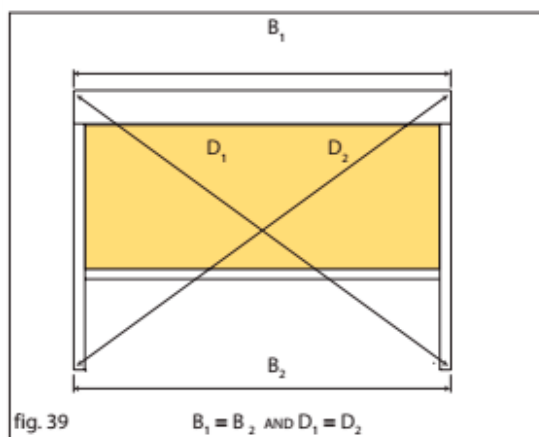
Impostare i fine corsa del motore a seconda del tipo di motore (vedere il Manuale del motore).

Fase 7: Controllo dell'installazione

Assicurarsi sempre che la tenda a rullo sia installata correttamente:

1. Verificare innanzitutto che il box sia montato orizzontalmente.
2. Verificare che le due guide siano parallele tra loro e perpendicolari al box.
3. Misurare e confrontare le diagonali tra loro con precisione al millimetro.

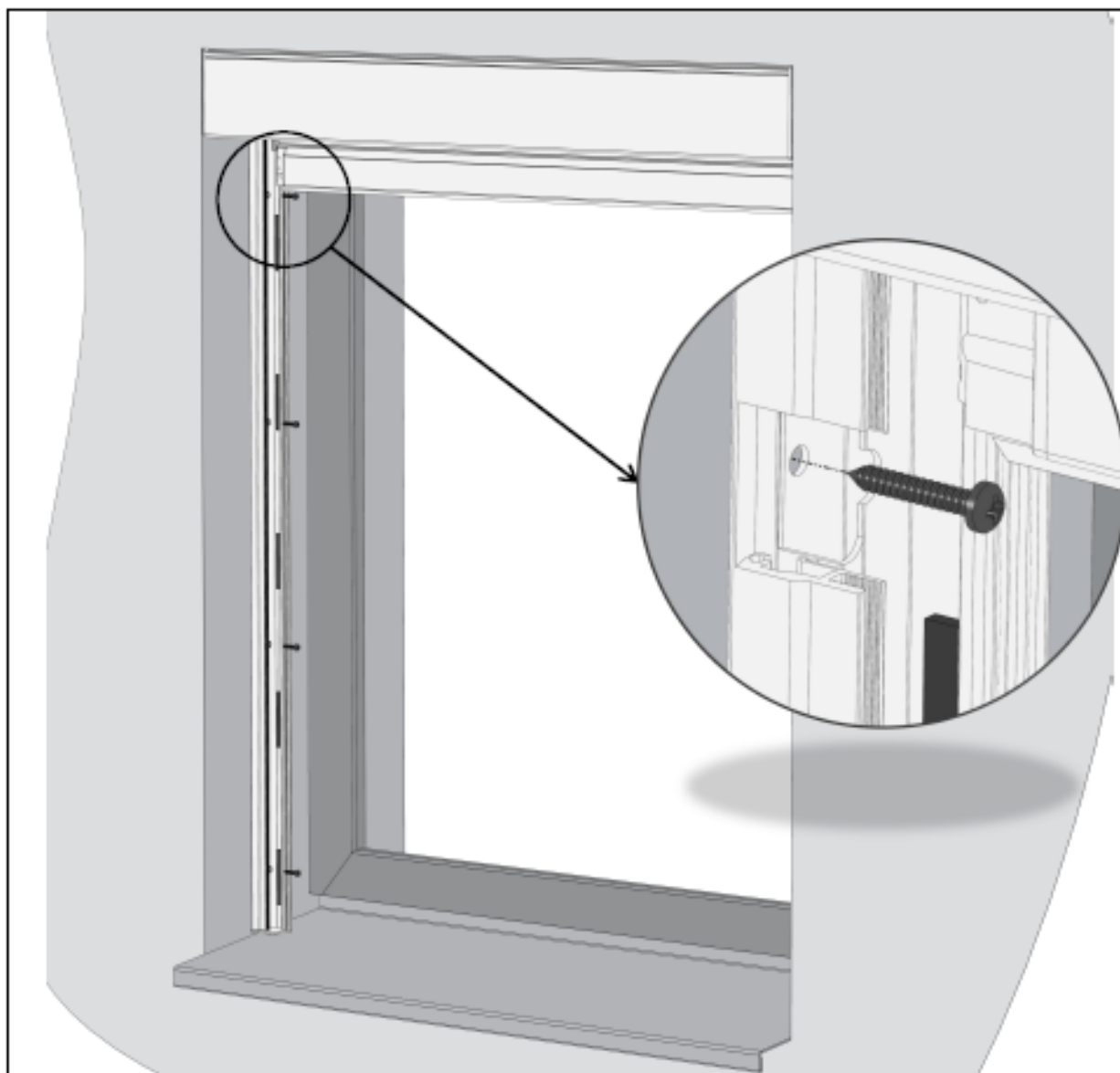
Se il box e le guide non sono montati correttamente, la guida inferiore entrerà sempre nel cassonetto in modo inclinato, causando l'increspatura o lo strappo del tessuto dall'inserto in plastica della guida.



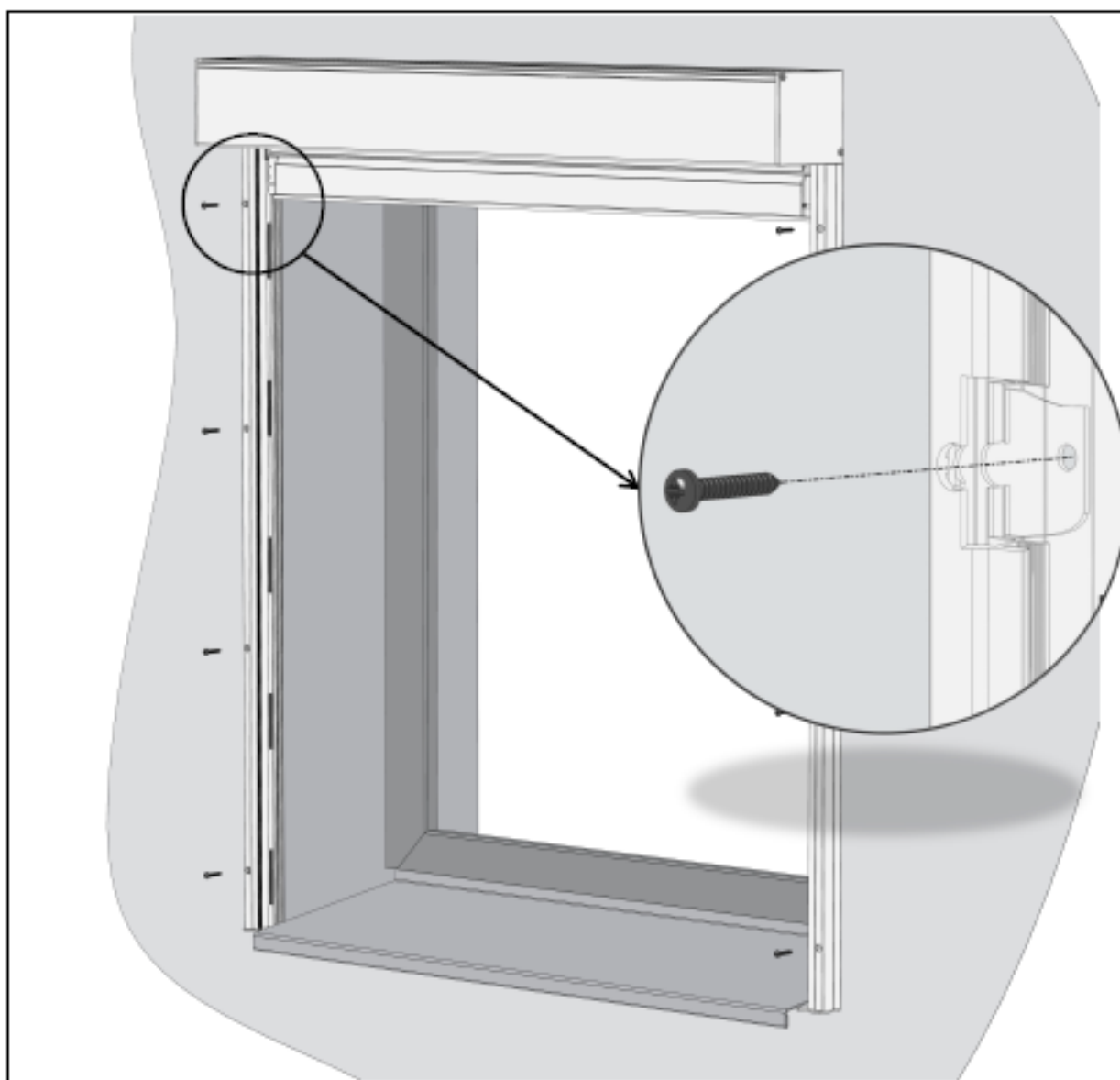
* Montaggio - guida composta A840-1

1. Montaggio della guida

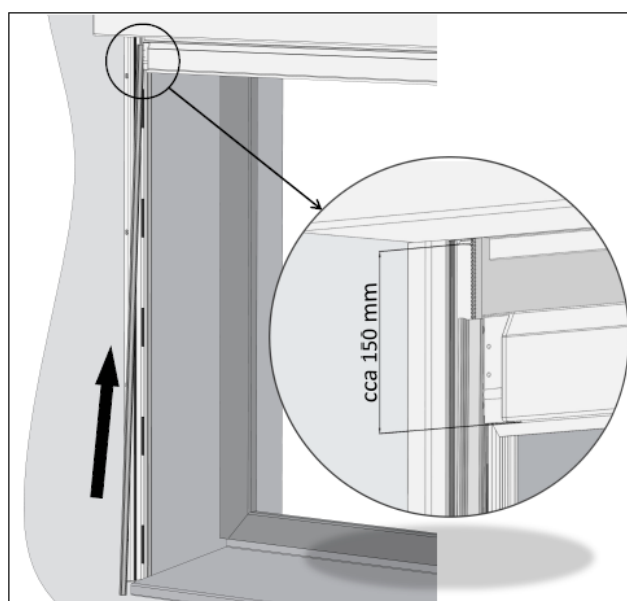
1.a Montaggio laterale della guida



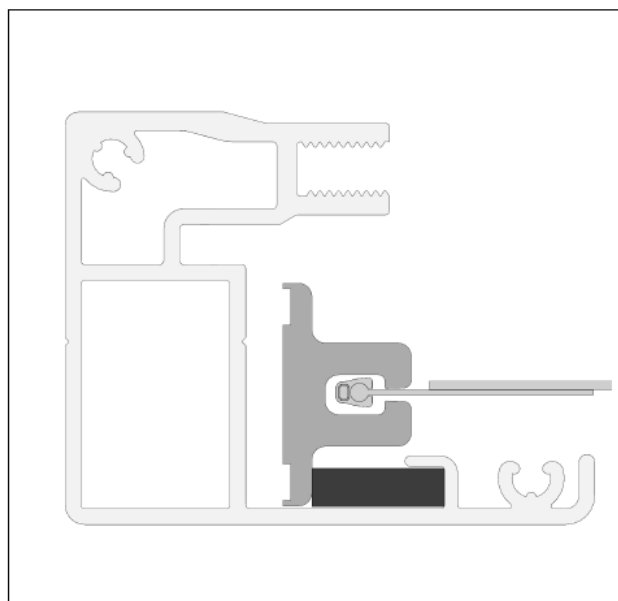
1.b Montaggio frontale della guida



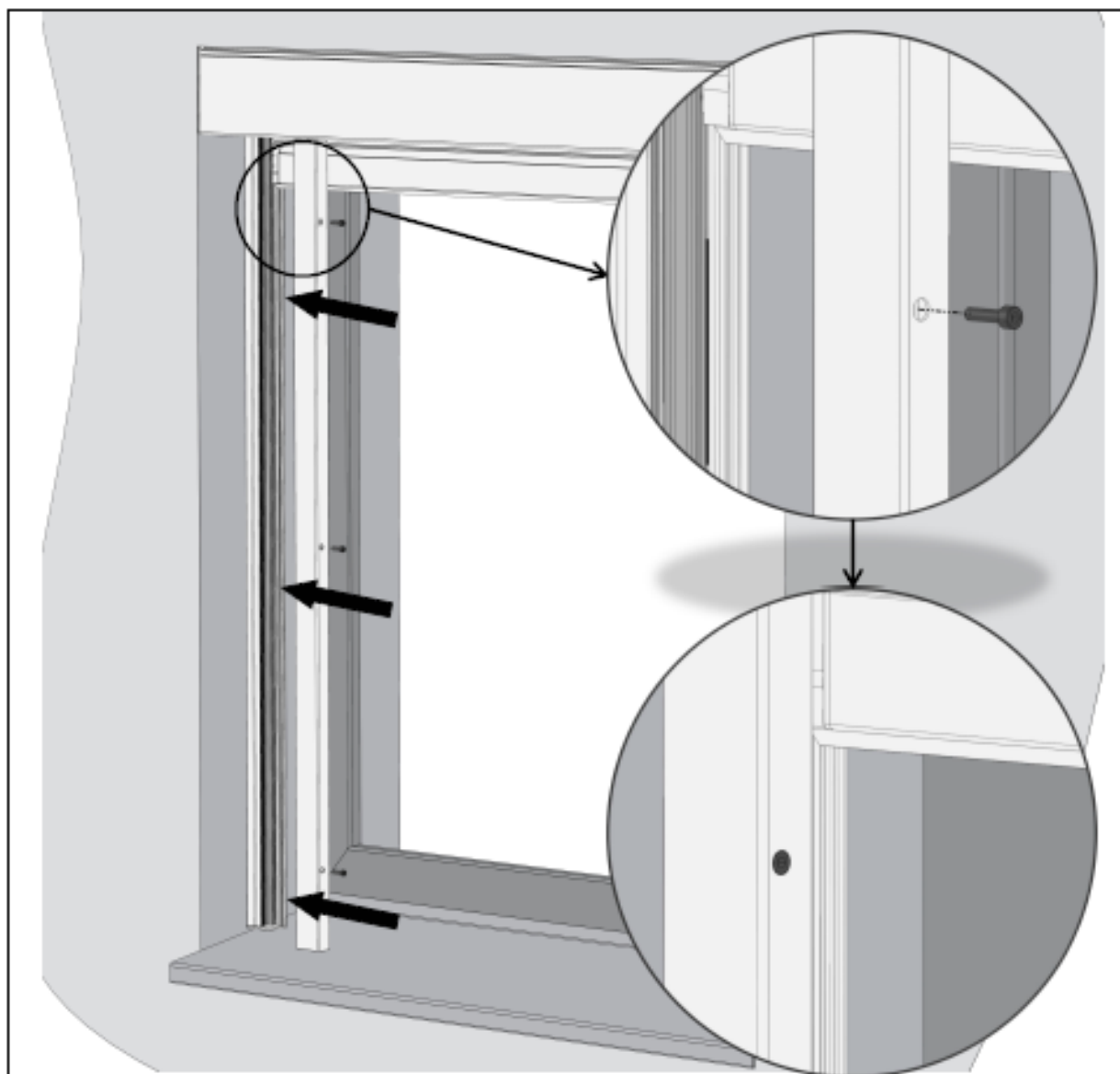
2. Inserimento del profilo a zip



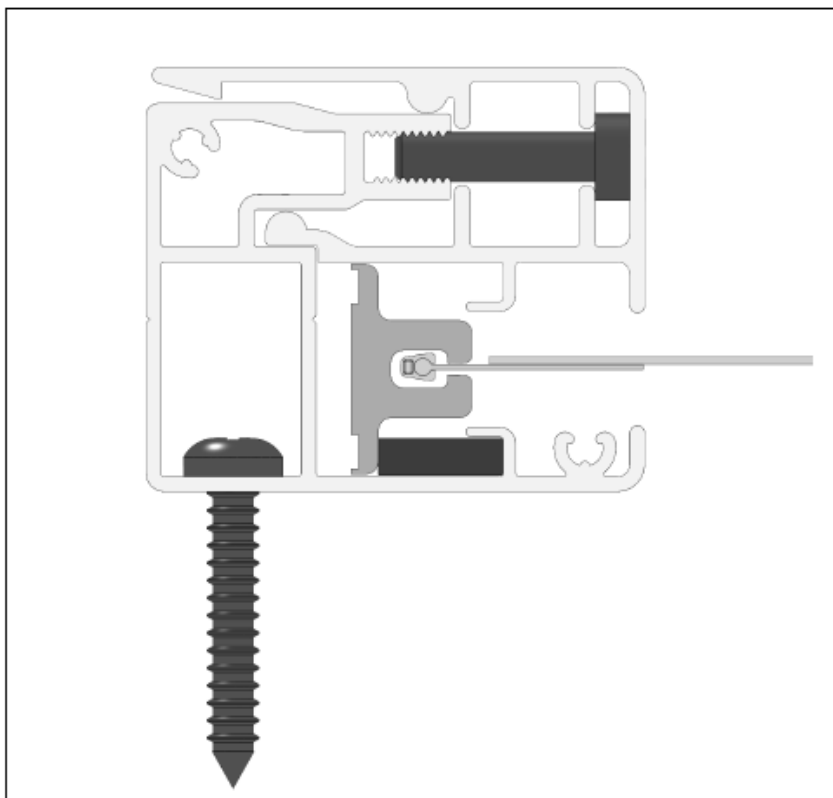
Sezione guida A840-1 dopo l'inserimento del profilo a zip



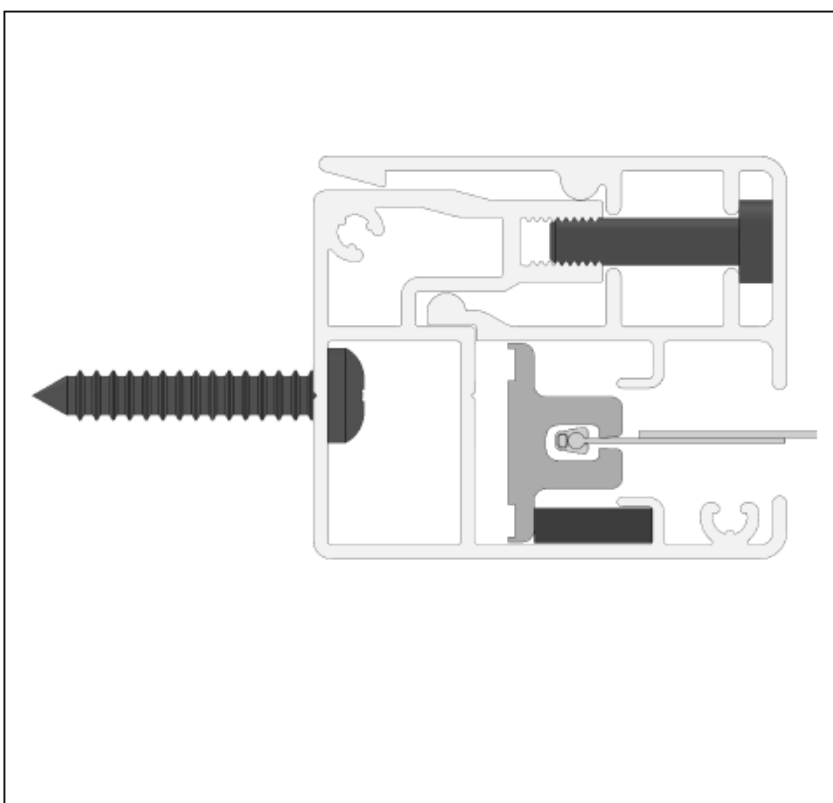
3. Inserimento della chiusura A840-1



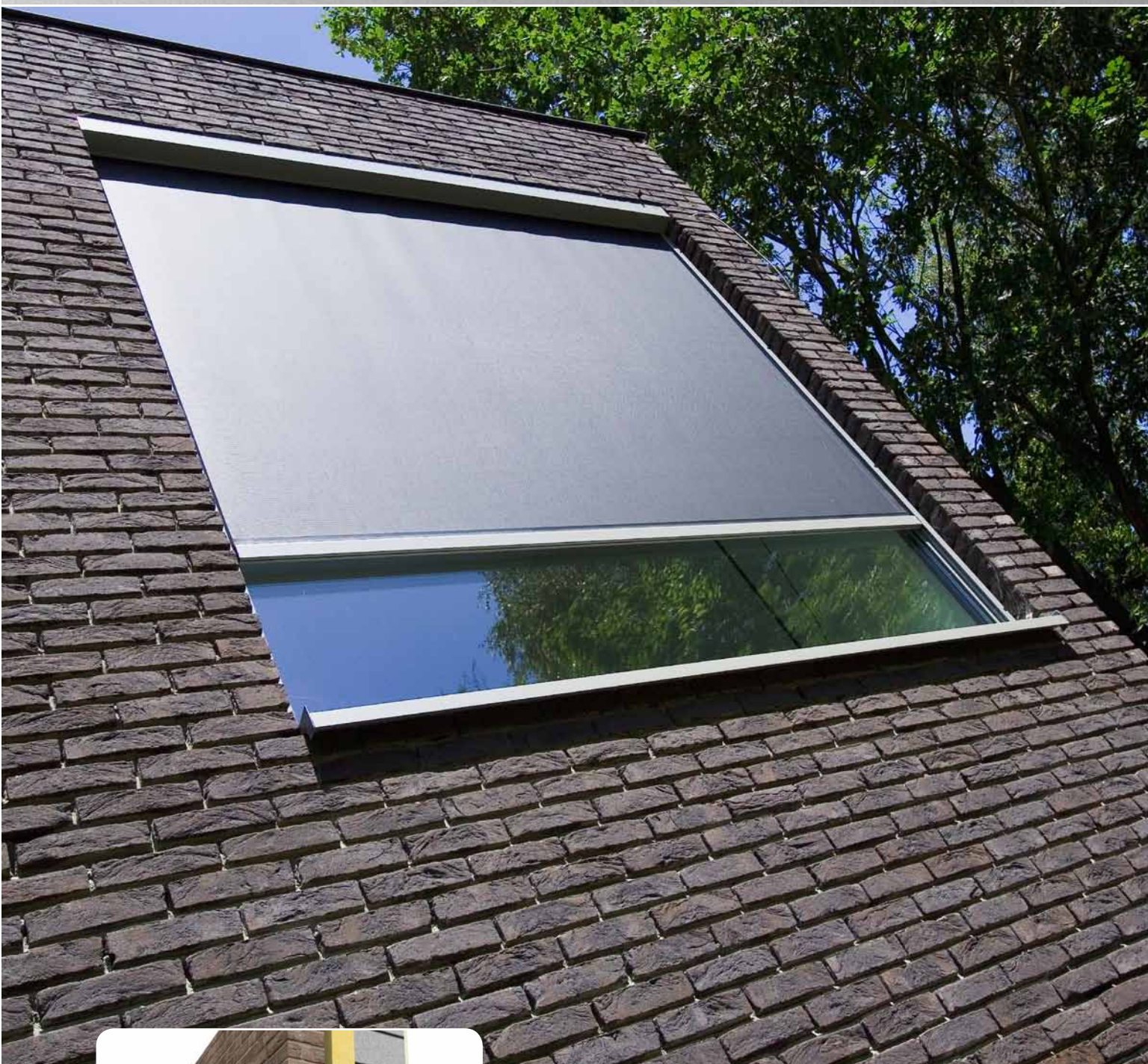
3.a Sezione guida A840-1 dopo il montaggio frontale



3.a Sezione guida A840-1 dopo il montaggio laterale



SCREEN HR7

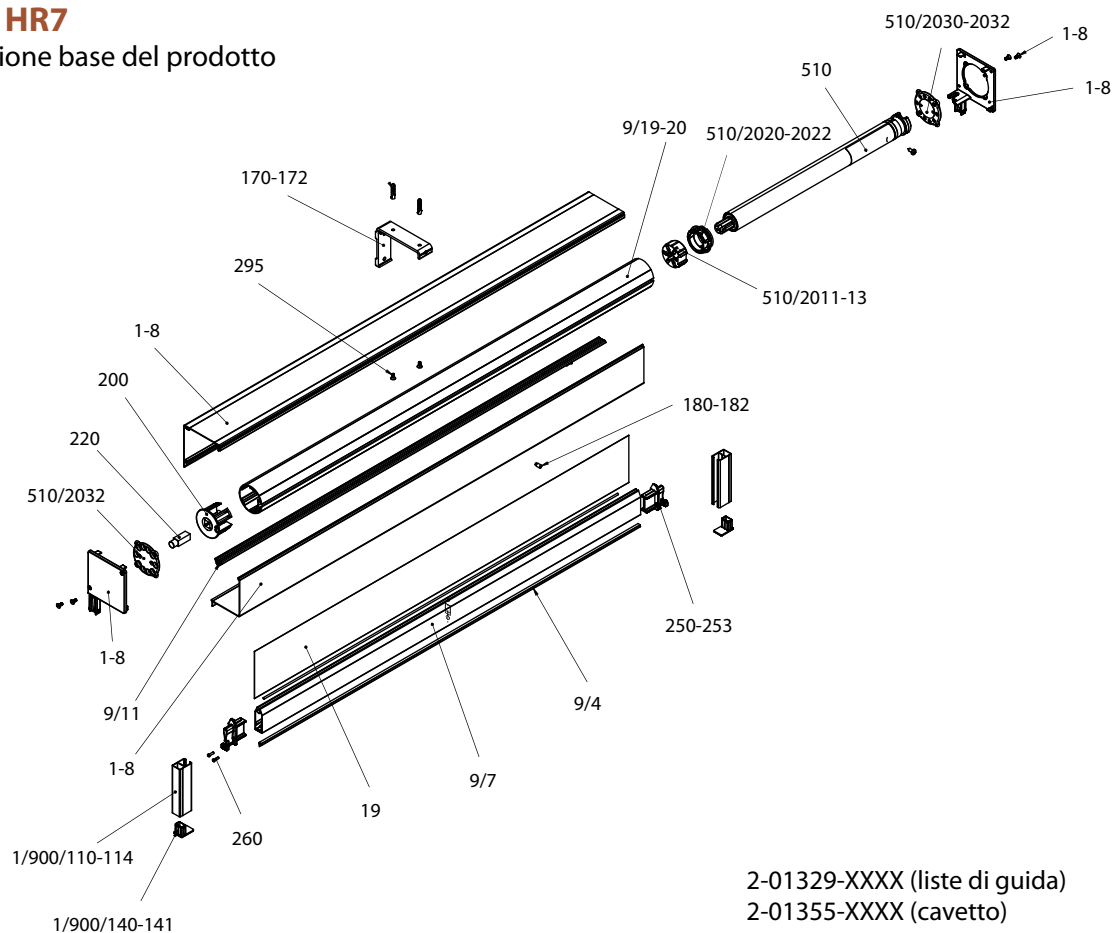


- ▲ 2 tipi di box moderni: quadrato per un'architettura semplice o arrotondato, per gli edifici più tradizionali, ambedue i tipi sono disponibili in 3 misure,
- ▲ lista inferiore equilibrata per la guida e il distendimento del tessuto,
- ▲ classe di resistenza al vento 2,
- ▲ possibilità di collegare tra di loro fino a 3 pezzi di tende a rullo,
- ▲ possibilità di guida con cavetto o liste di guida,
- ▲ montaggio facile,
- ▲ area garantita di fino a 14 m².

ISOTRA *Quality*

SCREEN HR7

Specificazione base del prodotto

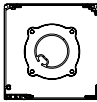
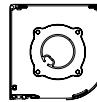
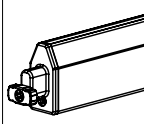
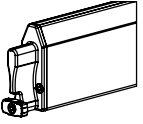
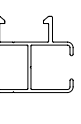
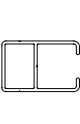
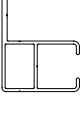
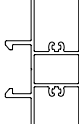
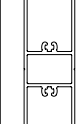
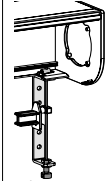
**Comando**

Serve a tirare su e giù le tende a rullo screen. Per tutte le misure del box sono a disposizione due tipi di comando:

Motore - Sunea Screen IO, Maestria WT/io, Becker C/E, Altus RTS (larghezza minima 685 mm), per il box dalle dimensioni 70x70 è possibile usare soltanto questi motori: LS40, Sunea IO 40, Becker 40 C/E.

Manovella - meccanismo con filettatura autobloccante e ruota filettata, proporzione 1:4, arresto finale incorporato (impedisce l'avvolgimento scorretto del tessuto).

Specificazione

	Box		Profilo inferiore		Guida laterale					cavetto
	quadrato	quarto rotondo	piccolo	grande	lista di guida					
Denominazione commerciale	-	-	ZPH073	ZPH074	ZPH064	ZPH063	ZPH065	ZPH066	ZPH067	
Dimensioni (mm)	70x70, 90x90, 110x110	70x70, 90x90, 110x110	18x36	18x50	30x30	20x30	40x30	30x60	20x60	Ø 2,5 mm
Materiale	Al	Al	Al	Al	Al	Al	Al	Al	Al	nerez
Colore	Standard: RAL 9006 alluminio brillante RAL 9007 alluminio grigiastro		RAL 9010 bianco puro RAL 7016 grigio antracite RAL 7016 grigio antracite struttura		RAL 8014 marrone seppia altri colori RAL su richiesta*					-
										
					tipo 725	tipo 720	tipo 728	tipo 755	tipo 756	tipo 770

* con eccetto dei pezzi di plastica

Dimensioni standard**Dimensioni standard per il box 70**

Comando	Larghezza (mm)		Altezza (mm)		Area garantita (m ²)
	min.	max.	min.	max.	max.
manovella	400	2200	400	2800	6
motore LS40	510	3000	400	1800	5,4
motore 40 iO	565	3000	400	1800	5,4

Altezza massima con il tessuto STNBZ, SCR4005, SLTZB92 è soltanto 900 mm

Dimensioni standard per il box 90

Comando	Larghezza (mm)		Altezza (mm)		Area garantita (m ²)
	min.	max.	min.	max.	max.
manovella	400	3000	400	3500	9
motore RTS, iO, WT	685	3500	400	3500	9

Altezza massima con il tessuto STNBZ, SCR4005, SLTZB92 è soltanto 1800 mm

Dimensioni standard per il box 110

Comando	Larghezza (mm)		Altezza (mm)		Area garantita (m ²)
	min.	max.	min.	max.	max.
manovella	400	3500	400	3000	10
motore RTS, iO, WT	685	3500	400	4000	14

Altezza massima con il tessuto STNBZ, SCR4005, SLTZB92 è soltanto 2600 mm

Nota:

In ogni tipo del montaggio, lo strato non trasparente è sistemato dalla parte della finestra. Nel caso del montaggio esterno, il vento forte può causare un leggero sollevamento della lista inferiore e del tessuto.

Fenomeni comuni di tessuti tecnici

Un'increspatura del tessuto può apparire intorno alle saldature o nel centro del tessuto perché durante l'uso agiscono sul tessuto varie forze e perciò tale fenomeno è comune. Ne fa parte anche il cosiddetto "effetto da abete" quando il tessuto è increspato nella zona di cuciture. Dei visibili segni di pressione da parte del cilindro sul tessuto spariscono con temperature superiori, quando il tessuto si ripiana.

La lista inferiore non arriva fino al box.

SCREEN HR7 (2-01355-XXXX, 2-01329-XXXX)

posizione	denominazione item	Denominazione commerciale	numero del disegno
1-8	BOX per SCREEN 070/090/110/150 quadrato o quarto rotondo		2-01356-PU11 - 2-01363-PU11
9	Profili divisi		vedi Profili divisi
19	Tessuto DIVISO - (m²) per SCREEN		vedi il campionario SCREEN
170-172	Supporto PARETE/SOFFITTO - box 110 mm - SC700/800	ZPH080	6-014342-0000
510	Motori (SOMFY, BECKER) Screen		Vedi Motori (SOMFY, BECKER) Screen
900-910	Guida - lista/cavetto - sinistro - destro		Vedi Guida - lista/cavetto

Profili divisi (3-03054-PU11)

posizione	denominazione item	Denominazione commerciale	numero del disegno
4	Guarnizione della lista inferiore	ZPH116	6-013974-0000
6	Profilo inferiore PICCOLO	ZPH073	6-014446-0000
7	Profilo inferiore GRANDE	ZPH074	6-014021-0000
8	Asta in plastica 4 mm PVC	ZP0097/0004	6-016911-0004
8	Asta in plastica 6 mm PVC	ZPH169	6-015096-0000
9	Asta in plastica 3 mm PVC	ZP0097/0003	6-016911-0003
11	Profilo per la corsa del tessuto	ZPH115 -1	7-303663-0000
19	Cilindro d'avvolgimento Al diam. 40mm - 6m	ZPH122	6-014229-0000
20	Cilindro d'avvolgimento Al diam. 55mm - 6m	ZPH123	6-014027-0000
21	Cilindro d'avvolgimento Al diam. 67mm - 6m	ZPH124	6-013982-0000

Guida - lista/cavetto - sinistro - destro (2-01634-PU11L/P)

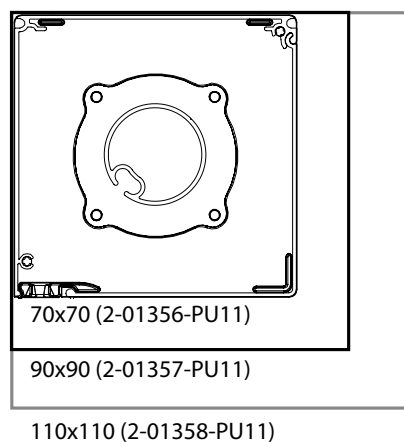
posizione	denominazione item	Denominazione commerciale	numero del disegno
110	Profilo lista di guida 720	ZPH063	6-014023-0000
111	Profilo lista di guida 725	ZPH064	6-014415-0000
112	Profilo lista di guida 728	ZPH065	6-014403-0000
113	Profilo lista di guida 755	ZPH066	6-014416-0000
114	Profilo lista di guida 756	ZPH067	6-014404-0000
140	Terminale lista di guida - NERO	ZPH094	6-014022-9004
141	Terminale doppio lista di guida	ZPH093	6-014469-0000
200	Supporto lista di guida 50mm	ZPH082	6-014549-0000
201	Supporto lista di guida 60mm	ZPH083	6-014550-0000
202	Supporto lista di guida 100mm	ZPH084	6-014552-0000
203	Supporto lista di guida 130mm	ZPH085	6-014542-0000
210	Vite M4x5, DIN 7985	51340.040.005	6-014559-0000
220	Rondella M4, DIN 433	51930.040.001	6-014560-0000
230	Dado M4 DIN 934	51080.040.001	6-014561-0000
700	Cavetto 2,5mm - ACCIAIO INOSSIDABILE	ZPH100	6-014036-0000
710	squadretta del cavetto BOX tipo 770	ZPH118	6-014029-0000
720	squadretta del cavetto BOX tipo 770 - PARETE	ZPH119	6-014412-0000
730	Supporto del cavetto - tipo770	ZPH086	6-014033-0000
740	vite montatrice M4x6, DIN 916	07930.040.006	6-006226-0000
750	Molla per guida cavetto - tipo 770	ZPH098	6-014034-0000
760	squadretta del cavetto PARETE / SPALLETTA tipo 770	ZPH121	6-014030-0000
770	Vite tenditrice per guida cavetto - tipo 770	ZPH101	6-014035-0000
780	Dado M6, DIN 439 B	51090.060.001	6-014158-0000
790	squadretta del cavetto PAVIMENTO tipo 770	ZPH120	6-014031-0000
800	Vite M4x6 Zn DIN 965	51300.040.006	6-014445-0000

SCREEN HR7

Specificazione tecnica

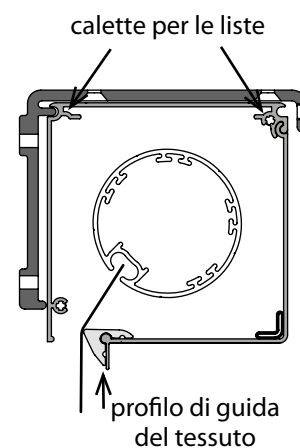
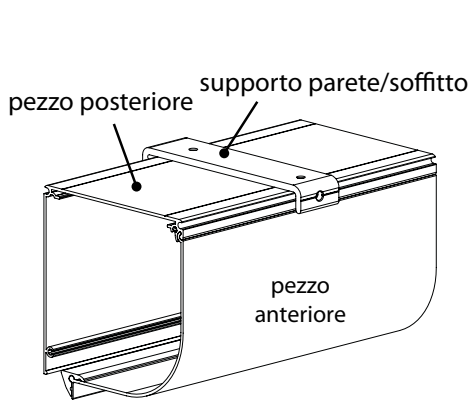
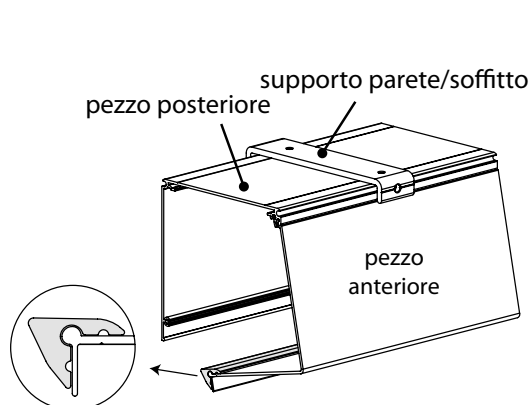
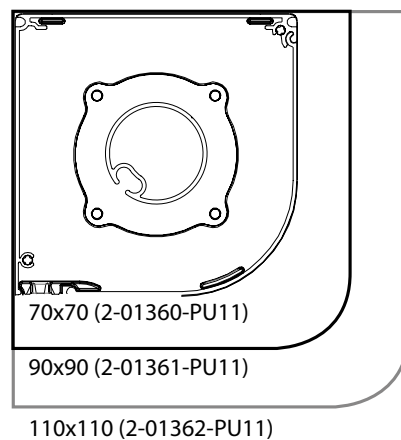
Profilo superiore – quadrato

(2-01356, 2-01357, 2-01358)



Profilo superiore – quarto rotondo

(2-01360, 2-01361, 2-01362, 2-01363)

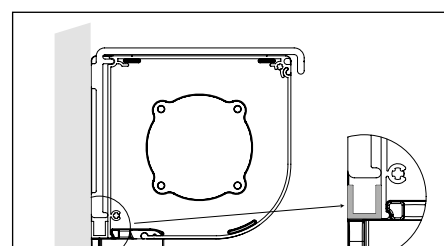


Parte posteriore del box

U-profilo – orizzontale

Lo spazio tra il box e la parete si può riempire orizzontalmente tramite l'U-profilo dalle dimensioni $10 \times 10 \times 10$ mm, la lunghezza è determinata dalla larghezza del box.

Uso: - nel supporto parete/soffitto,

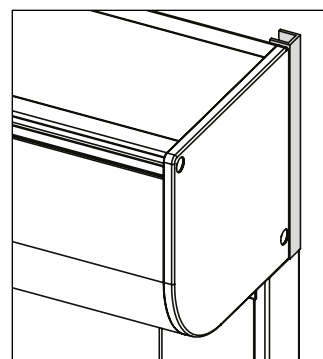


U-profilo – orizzontale

U-profilo – verticale

Lo spazio tra il box e la parete si può riempire con il profilo ($10 \times 10 \times 10$ mm), la lunghezza è determinata dall'altezza del box.

Uso: - nel supporto parete/soffitto.



U-profilo – verticale

Supporto parete/soffitto – box 70 mm, box 90 mm, box 110 mm

(6-014340, 6-014341, 6-014342)

Materiale: alluminio estruso con verniciatura in polvere

Per l'installazione di tutte le misure del profilo superiore indipendentemente dalle liste di guida – standard per la guida con il cavetto

Larghezza: 30 mm

Solleva la parte posteriore del profilo superiore di 10 mm in avanti nella versione con il cavetto.

Nella guida con il cavetto o senza la guida è necessario indicare l'attacco ZS o ZSTR.

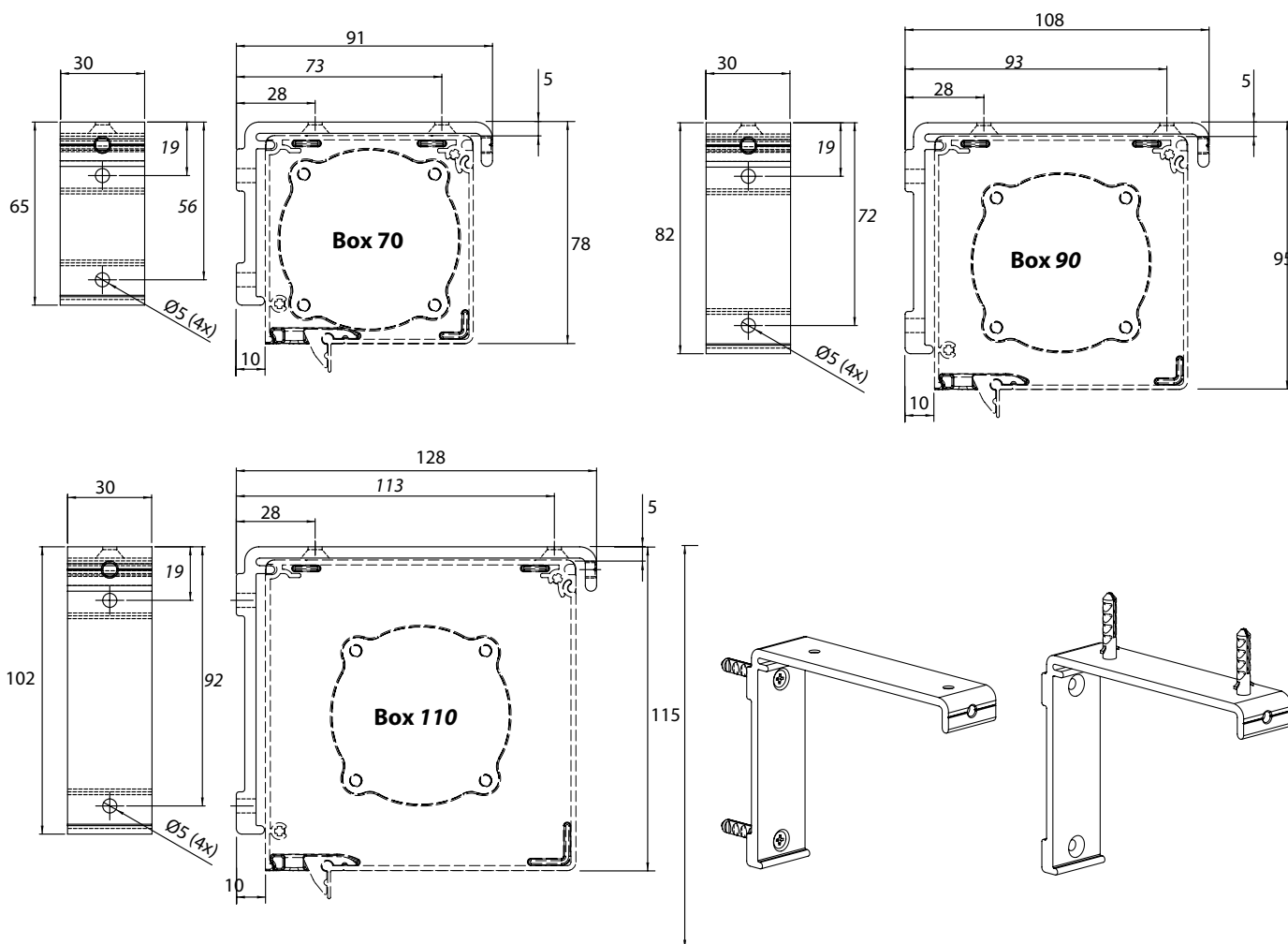
Nella guida con le liste di guida è necessario indicare l'attacco =0 (tiene sulle liste di guida).

Numero standard dei supporti parete/soffitto:

larghezza della tende a rullo (mm)	Guida	
	cavetto	lista di guida
0 – 1500	2 pezzi	0 (2*) pezzi
1501 – 3000	3 pezzi	3 pezzi
3001 – 4500	4 pezzi	4 pezzi
4501 - 5000	5 pezzi	5 pezzi

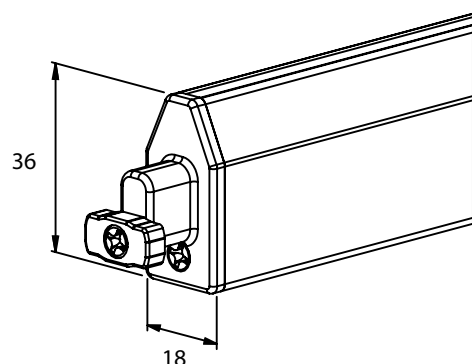
* Se nel modulo d'ordine verrà indicato „supporto parete/soffitto“, verranno consegnati 2 pezzi di supporti (fino alla larghezza della tende a rullo di 1500 mm, la tende a rullo è autoportante).

Se è usato il supporto parete/soffitto, consigliamo usare le liste di guida di tipo A725, A728 e A755.

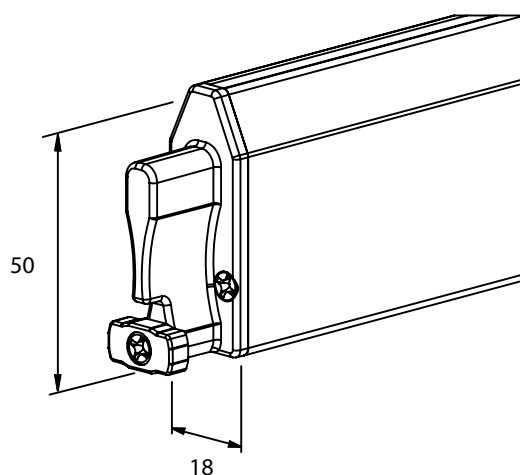


Profilo inferiore piccolo

(6-014446-0000)

**Profilo inferiore grande**

(6-014021-0000)



Materiale: profili in alluminio estruso:

- con verniciatura in polvere
- con spazio per il nastro caricatore
- con caletta per il tessuto

Il tessuto è attaccato alla lista inferiore tramite l'asta in plastica Ø 3 mm.

Nella consegna standard si fornisce il profilo inferiore piccolo, facoltativo e il profilo inferiore grande.

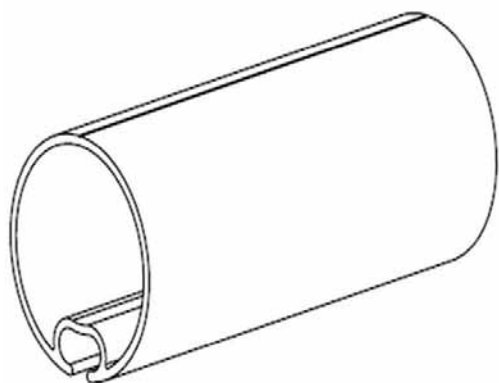
Variabilmente, guarnizione di gomma nel profilo inferiore.

Estremità della lista inferiore

- plastica scamosciata nera
- la forma dipende dalla lista inferiore
- staccabile

Cilindro d'avvolgimento diam. 40mm – 6m, diam. 55mm – 6m, 67mm – 6m

(6-014229-0000, 6-014027-0000, 6-013982-0000)



Materiale: alluminio estruso (Ø 40, Ø 55 o Ø 67 mm).

Contiene caletta per l'attacco del tessuto tramite l'asta in plastica Ø 4 mm per tubi Ø 40 mm, Ø 55 mm o Ø 67 mm.

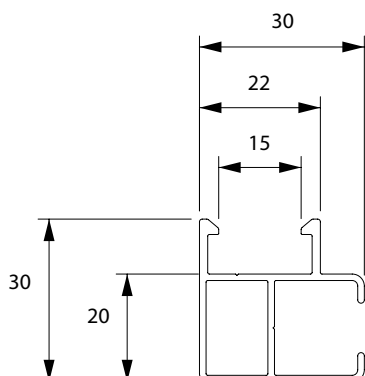
E' possibile usare vari tipi di cilindri d'avvolgimento, in dipendenza dal tipo di comando e dal tipo del box: tubi Ø 40 mm (eccetto il comando elettrico), Ø 55 mm e Ø 67 mm

Liste di guida

Materiale: profili in alluminio estruso con verniciatura in polvere

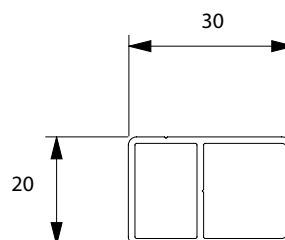
Lista di guida T725 (6-014415-0000)

- lista di guida standard per l'attacco alle cerniere o a piccola distanza rispetto alla parte laterale (10 mm).



Lista di guida T720 (6-014023-0000)

- lista di guida piana senza cerniere.

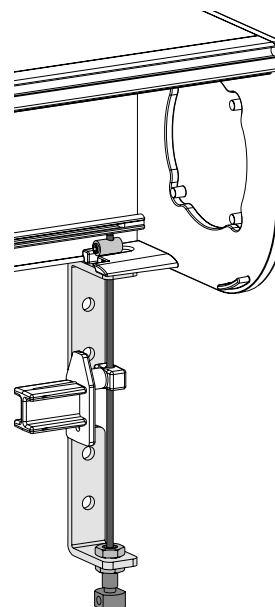
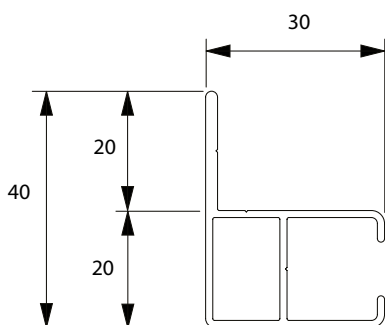


cavetto di guida di tipo T770 (6-014036-0000)

- lista di guida per il cavetto di acciaio inossidante, con perni in acciaio inossidante o nel caso A1353 con manigliera al pavimento.

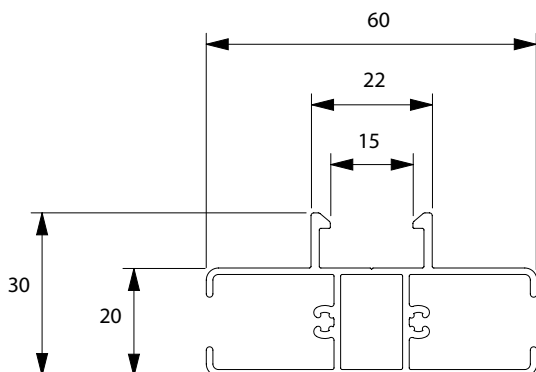
Lista di guida T728 (6-014403-0000)

- lista di guida con flangia di montaggio corta.



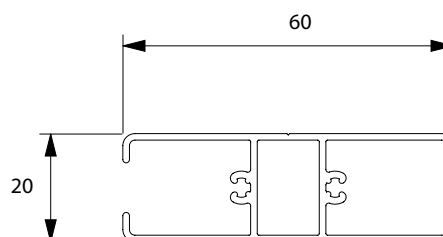
Lista di guida T755 (6-014416)

- lista di guida ausiliare.



Lista di guida T756 (6-014404)

- lista di guida ausiliare.



Guide di foratura frontale/laterale (da entrambi i lati suibordi 200 mm)

all'altezza 1500 mm	2 fori (terminali)
dall'alt. 1500 mm all'alt. 3000 mm	3 fori (2 foriterminali + 1 foro al centro)
dall'alt. 3000 mm all'alt. 4500 mm	4 fori (2 foriterminali + 2 fori al centro)
Dall'alt. 4500 mm	5 fori (2 foriterminali + 3 fori al centro)

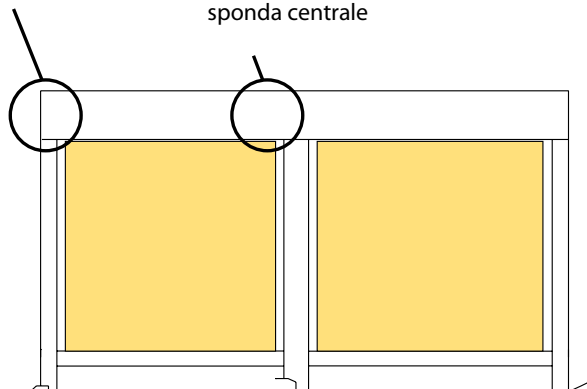
Sponde:

Sponda di base: - sponda in alluminio con perni colati sotto pressione (non vale per la guida con cavetto) = montaggio ai perni, assi portanti universali di materiale sintetico nero.

Sponde centrali: - sponde in alluminio con perni colati sotto pressione
- tengono il cuscinetto delle tende a rullo collegate tra di loro o l'asse portante universale.

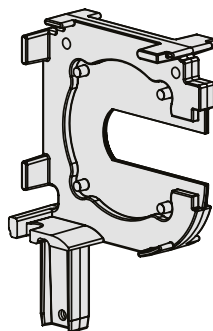
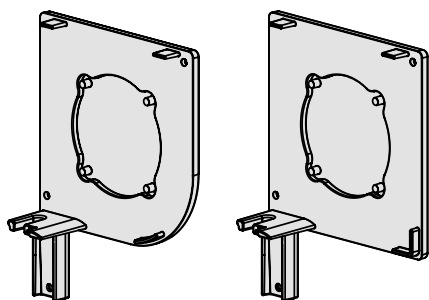
sponda di base

sponda centrale



montaggio ai perni - sponda di base

montaggio ai perni - sponda centrale



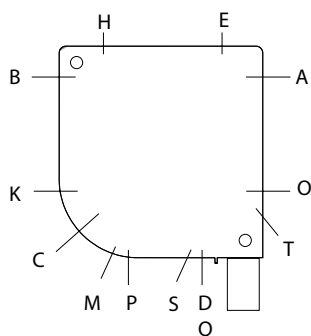
x	Si
x	Possibilità soltanto con il box quadrato
■	Usa con trasmissione a coppia corto
■	Usa con trasmissione a coppia lungo
E/H*	Per il montaggio soffitto/architrave o uso negli interni, per il motivo di penetrazione dell'acqua.
o	Non è possibile

Sistemazione comando - uscita

Tipo di montaggio	Comando	O			A			E/H*			T			B		
		70	90	110	70	90	110	70	90	110	70	90	110	70	90	110
A-AE	Motore	x	x	x	x	x	x	o	o	x						
	Manovella 45°										x	x	x			
	Manovella 90°	o	x	x	x	x	x									
	manovella con coppia															
B-BE	Motore							o	o	x				x	x	x
	Manovella 45°															
	Manovella 90°													x	x	x
	manovella con coppia															

Tipo di montaggio	Comando	K			P			Q/D*			C			S		
		70	90	110	70	90	110	70	90	110	70	90	110	70	90	110
A-AE	Motore															x
	Manovella 45°															
	Manovella 90°															
	manovella con coppia							o	o					o		
B-BE	Motore	x	x	x				o	o	o						
	Manovella 45°										x	x	x			
	Manovella 90°	x	x	x												
	manovella con coppia															

Uscite di comando



In dipendenza dal comando, esistono alcune varianti di uscite. La posizione precisa delle uscite è evidente dalle figure corrispondenti. Perciò è necessario studiarle bene prima dell'installazione.

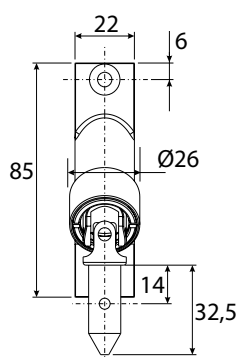
Comando - manovella

Comando interno

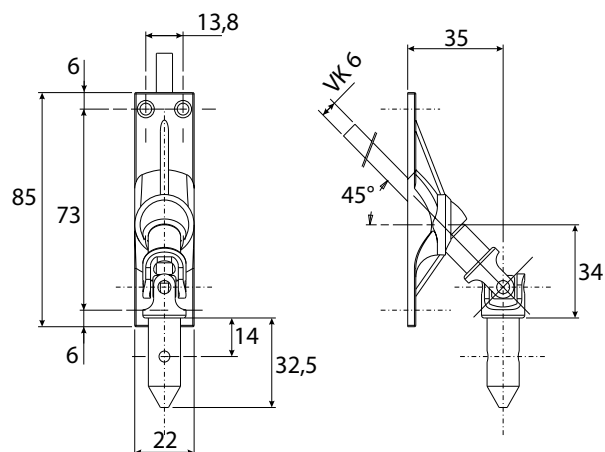
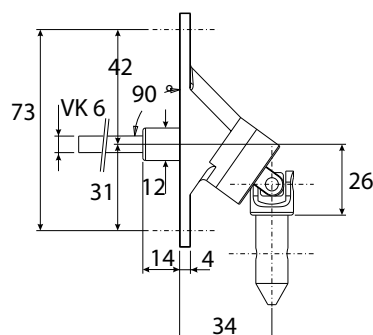
Standard: - manovella pieghevole in plastica grigia,
 - giunto cardanico 90° (materiale della manovella: 6 mm quadrato, lunghezza 320 mm).
 - consolle magnetica tenente la manovella alla parete,
 - lunghezza della manovella dipende dall'altezza della tende a rullo: $L = H - 150$ mm (con giunto 90°),
 $L = H - 350$ mm (con giunto 45°).

Alternativa: - giunto cardanico 45°,
 - manovella staccabile con innesto speciale,
 - senza la manovella staccabile, con innesto speciale.

NB: asse del giunto snodato non può essere attaccata direttamente al box, e perciò è necessario assicurare un ulteriore spazio intorno al box.



Giunto cardanico 90°



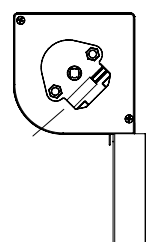
Giunto cardanico 45°

Comando esterno

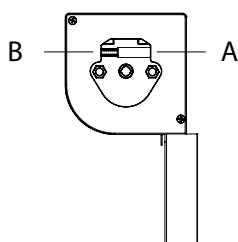
Standard: - comando a manovella con cappio, manovella staccabile con gancio, lunghezza 1500 mm.
 Alternativa: - altre lunghezze delle manovelle sono disponibili a pagamento supplementare.

Attenzione: create abbastanza spazio intorno (± 10 mm) per motivo della rotazione del gancio della manovella nel cappio.

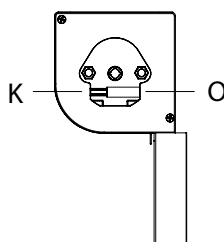
Uscite di comando per la manovella



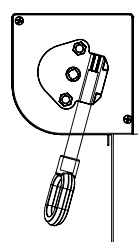
manovella 45°
uscita C



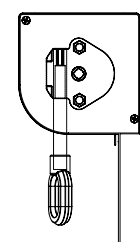
manovella 90°
uscita A - B



manovella 90°
uscita O - K

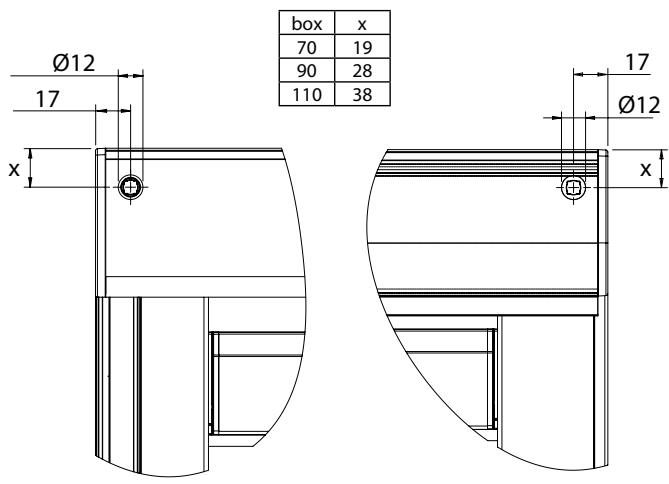


manovella + cappio
uscita S



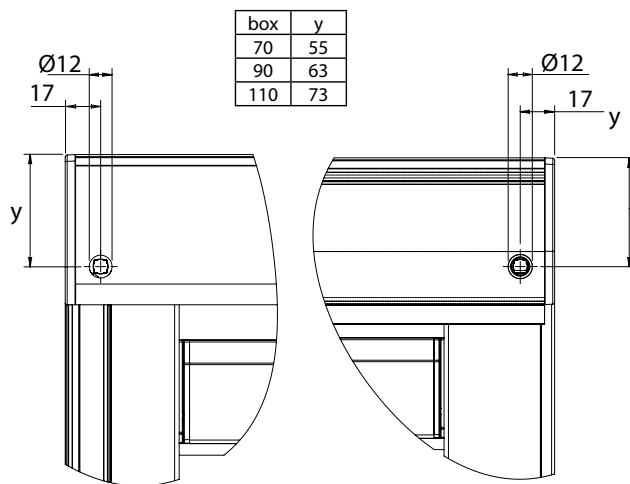
manovella + cappio
uscita P

Uscite di comando per la manovella attraverso la parete



manovella 90°
uscita A

manovella 90°
uscita B

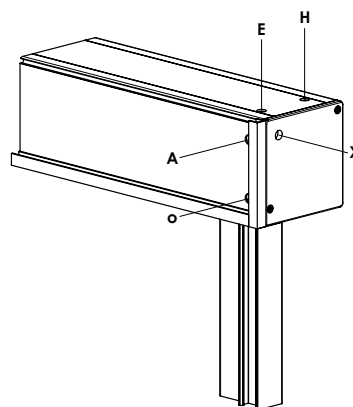
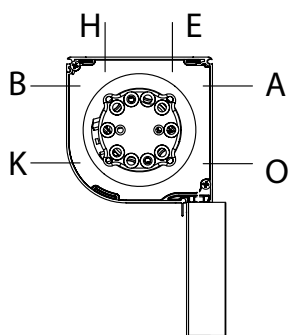


manovella 90°
uscita O

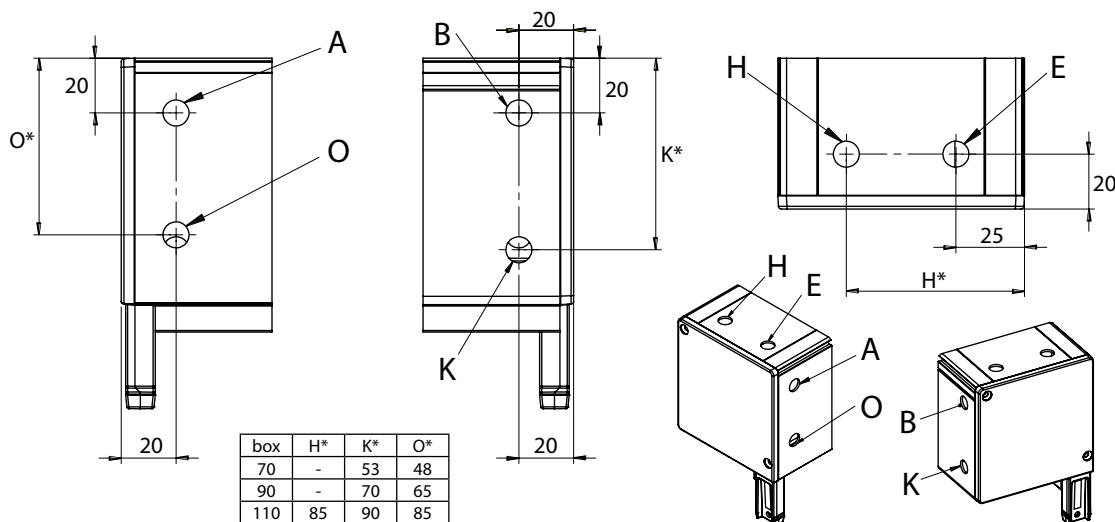
manovella 90°
uscita K

Comando – motore

Possibilità di selezione della posizione del cavo



a sinistra, uscita X (dalla sponda) soltanto per il box 110 e 150
a destra, uscita X (dalla sponda) soltanto per il box 110 e 150



Tende a Rullo collegate tra di loro

E' possibile usare un box per 2 - 3 tende a rullo screen.

DVC: tende a rullo direttamente una accanto all'altra,

DVS: tende a rullo con almeno uno spazio vuoto tra di loro:

- min. 25 mm

- max. 500 mm

Larghezza massima del box 6 m.

Possibile con 1, 2 o 3 comandi.

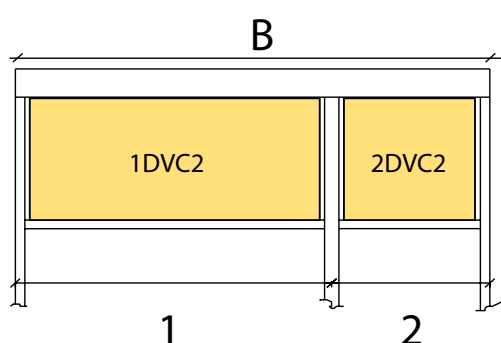
- Larghezza minima delle singole tende a rullo screen dipende dal tipo di comando.

- Larghezza totale massima dipende dal tipo di comando.

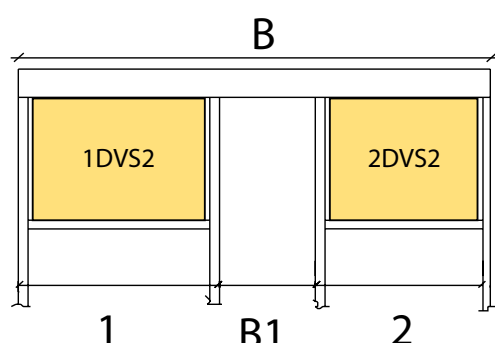
- Comando a manovella e comando elettrico si possono collegare tra di loro fino a 6 m.

- Comando centrale è possibile con alcuni telecomandi.

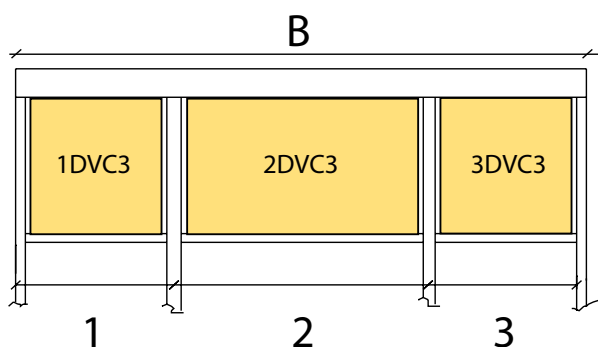
- Si consiglia installare l'unità di comando alla tende a rullo più grande.



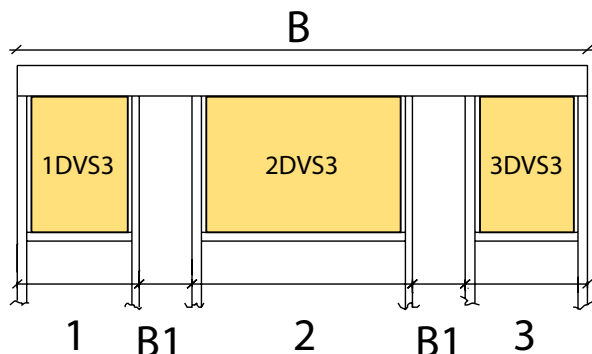
1DVC2 - 1a tende a rullo delle due nel box comune
2DVC2 - 2a tende a rullo delle due nel box comune



1DVS2 - 1a tende a rullo delle due nel box comune
2DVS2 - 2a tende a rullo delle due nel box comune



1DVC3 - 1a tende a rullo delle tre nel box comune
2DVC3 - 2a tende a rullo delle tre nel box comune
3DVC3 - 3a tende a rullo delle tre nel box comune



1DVS3 - 1a tende a rullo delle tre nel box comune
2DVS3 - 2a tende a rullo delle tre nel box comune
3DVS3 - 3a tende a rullo delle tre nel box comune

B = larghezza del box

B1 = larghezza tra le tende a rullo

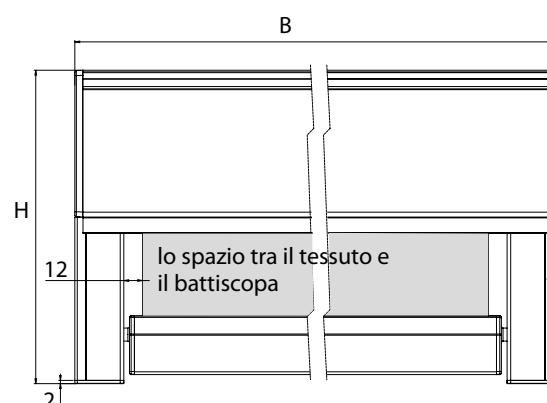
SCREEN HR7

Misurazione

Larghezza finale B = distanza tra le consolle terminali.

Altezza finale H = altezza compresi il box e i terminali delle liste di guida (spessore = 2 mm) eccetto il supporto parete/soffitto.

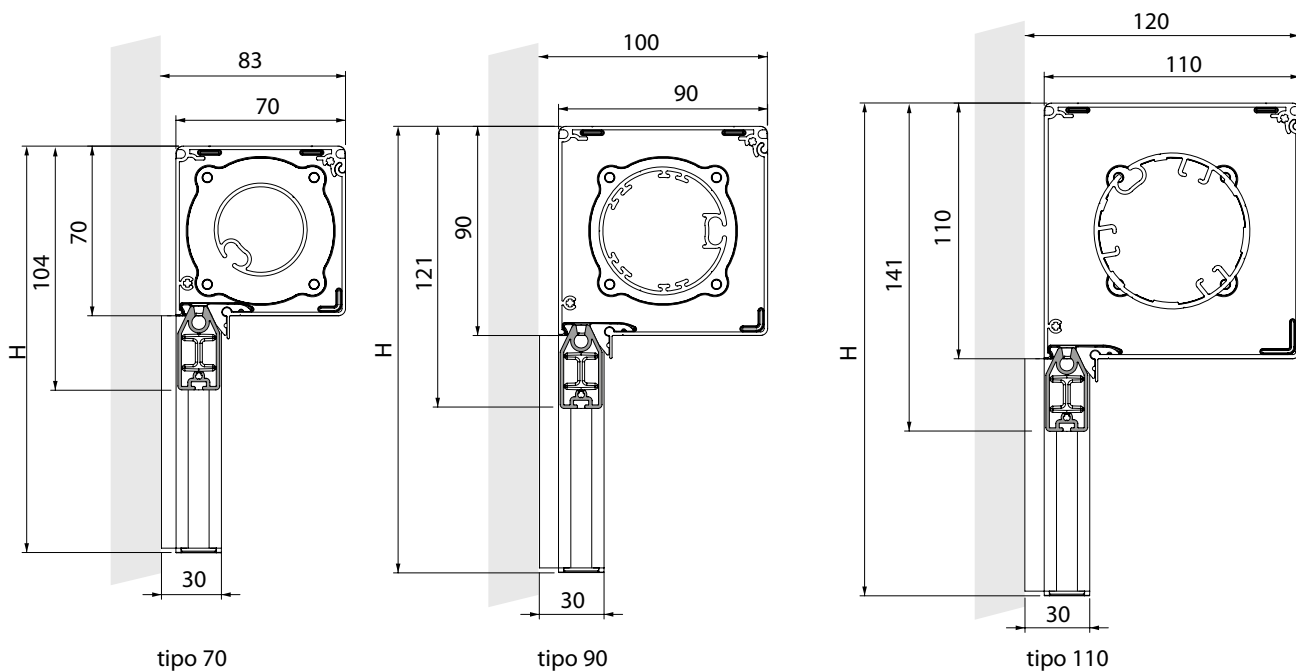
NB: altezza finale H con cavetti di guida in acciaio e l'altezza dal bordo superiore del box alla parte inferiore della lista inferiore.



SCREEN HR7

Montaggio

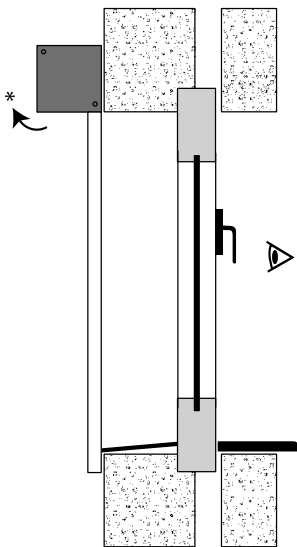
Montaggio ai perni con lista di guida e lista inferiore bassa



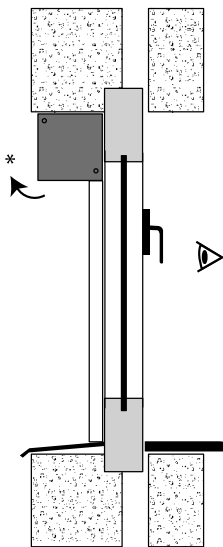
H - vedi Dimensioni standard, pagina 56-57

Tipi di montaggio

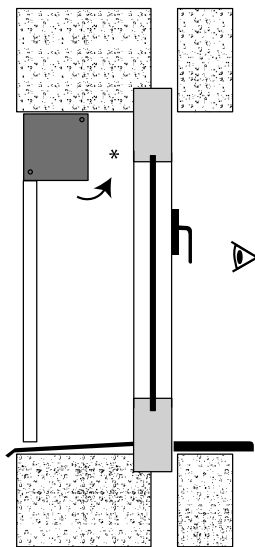
Tipo A-AE (alla parete)



Tipo A-AE (in spalletta)

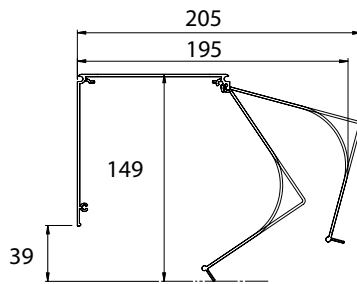
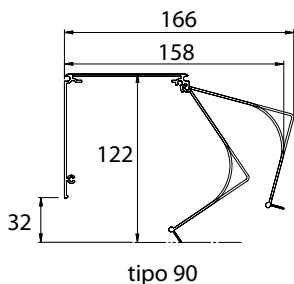
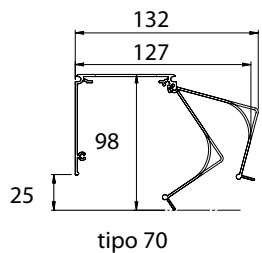


Tipo B-BE (in spalletta)



- A - avvolgimento alla finestra "A" (standard)
- AE - avvolgimento dalla finestra "AE" (esterno chiaro)
- B - avvolgimento dalla finestra "B"
- BE - avvolgimento dalla finestra "BE" (esterno chiaro)

* spazio per apertura del box



tipo 110

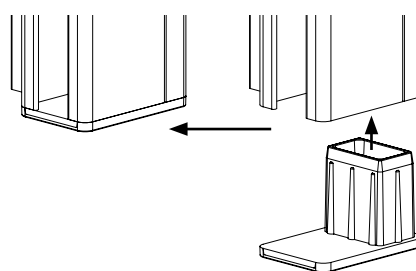
Montaggio ai perni

Il box si monta nelle liste di guida. Le liste si muovono ai perni delle consolle.

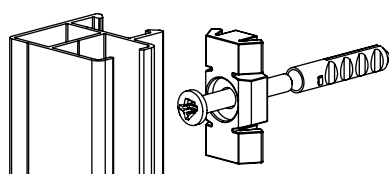
Montaggio ai perni



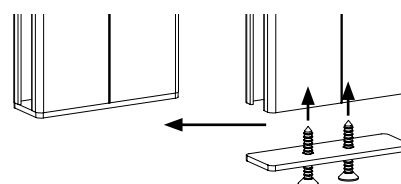
Arresto finale



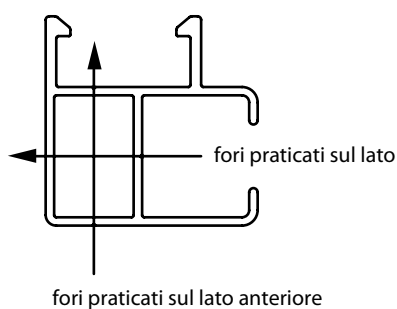
Cerniere per le liste di guida 725 o 755



Arresto finale nella lista di guida ausiliaria



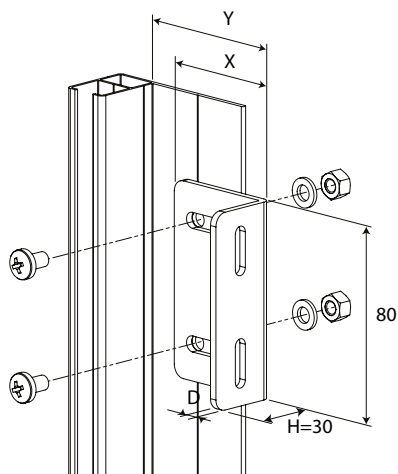
Con l'arresto finale di plastica nera o lamiera di alluminio dalla parte inferiore per l'arresto della lista inferiore; spessore 2 mm.



Liste di guida per i fori trapanati dalla parte laterale e/o posteriore:

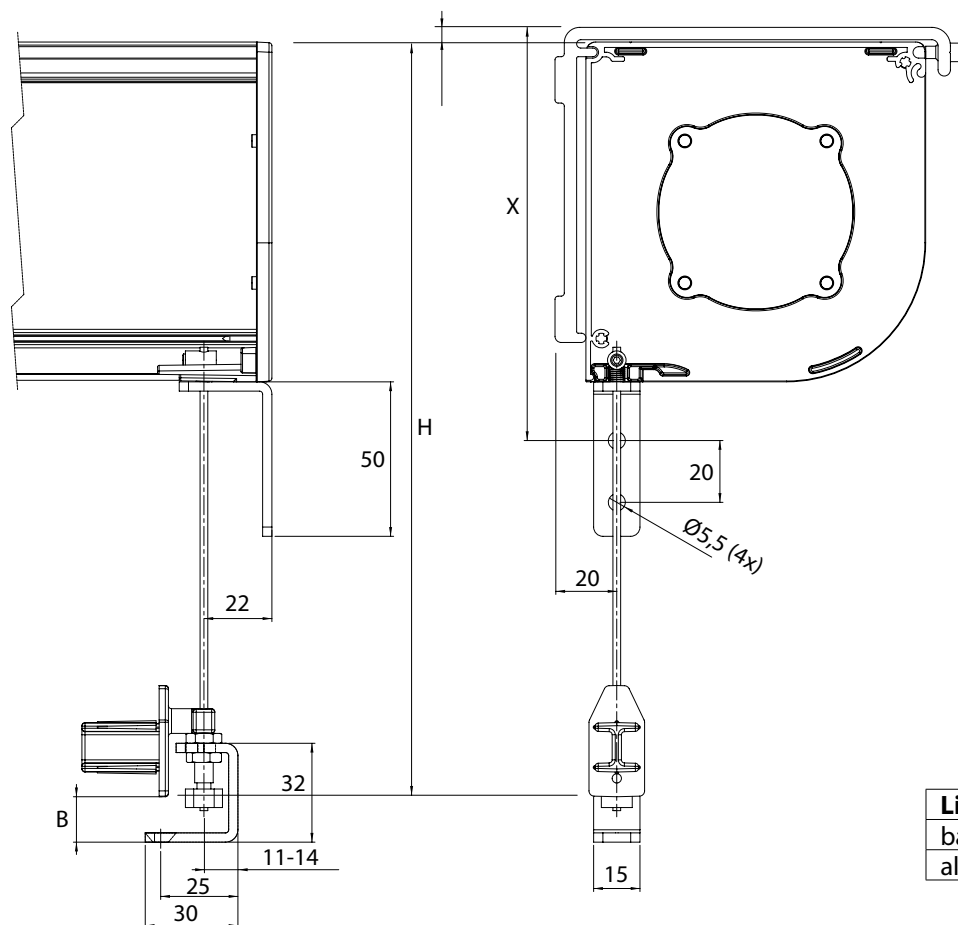
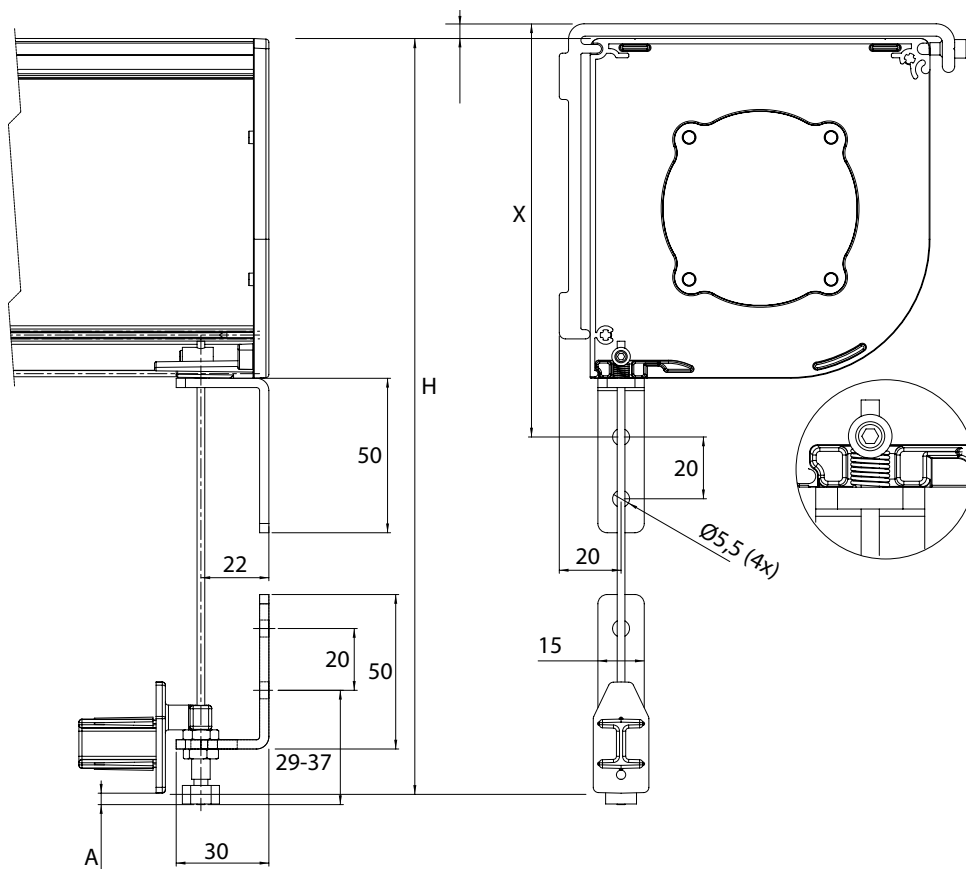
Foratura	725	720	728	755	756	740
lato anteriore	x	x	-	x	x	-
parte laterale	x	x	x	-	-	-

Alcune liste di guida si possono consegnare con fori trapanati nella parte posteriore o laterale.

Supporto per le liste di guida 728

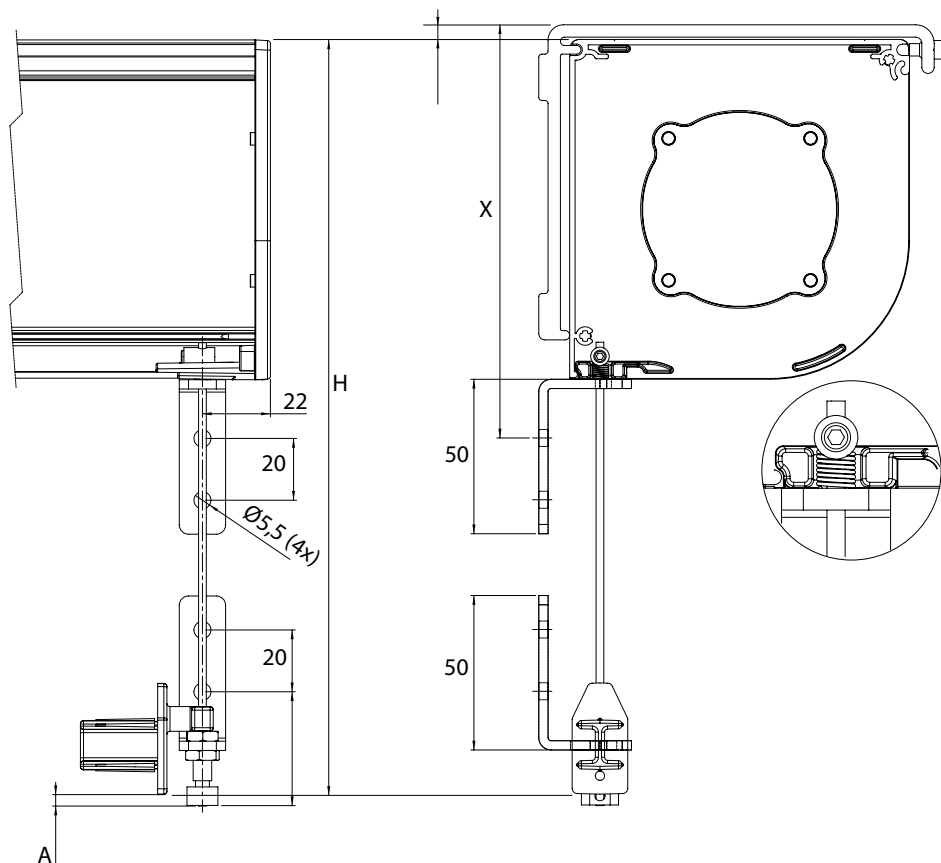
X x H x D	X	Y	numero del disegno
50 x 30 x 3	50	50-65	6-014549-0000
60 x 30 x 3	60	60-75	6-014550-0000
100 x 30 x 3	100	100-115	6-014552-0000
130 x 30 x 3	130	130-145	6-014542-0000

Cavetto di guida 770 – montaggio ai perni nella spalletta

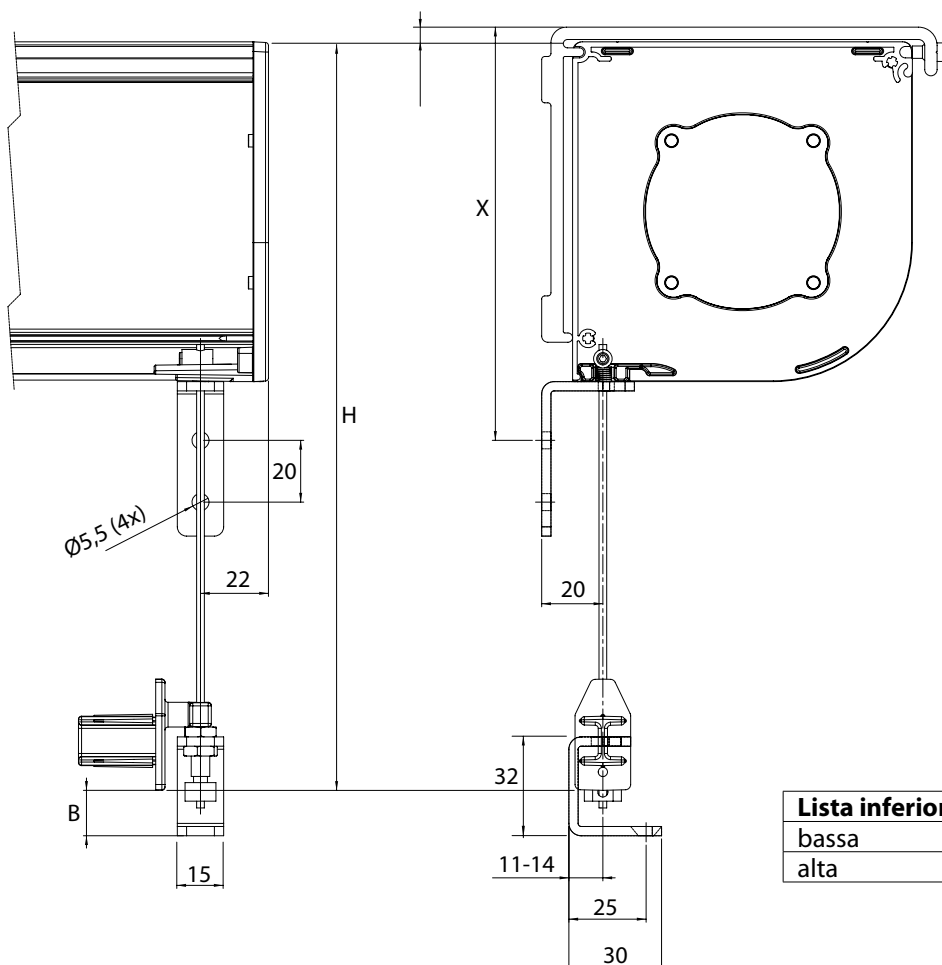


H - vedi Dimensioni standard, pagina 56-57

Cavetto di guida 770 – montaggio ai perni alla parete



Misura del box	X
70	98
90	115
110	135



Lista inferiore	A	B
bassa	4	15
alta	-10	1

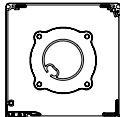
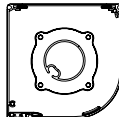
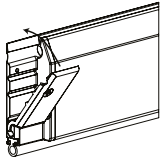
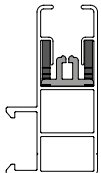
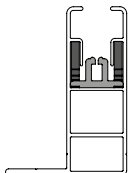
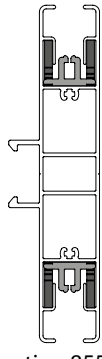
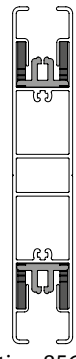
SCREEN HR8-ZIP



- ▲ 2 tipi di box moderni: quadrato per un'architettura semplice o arrotondato per edifici più tradizionali, ambedue i tipi sono disponibili in 4 misure,
- ▲ lista inferiore equilibrata per la guida e il distendimento del tessuto,
- ▲ classe di resistenza al vento 3,
- ▲ possibilità di collegare tra di loro fino a 3 pezzi di tende a rullo,
- ▲ montaggio facile,
- ▲ area garantita fino a 18 m².

ISOTRA *Quality*

Specificazione (per la manovella)

	Box		Profilo inferiore grande	Guida laterale			
	quadrato	quarto rotondo		lista di guida			
Denominazione commerciale	SCREEN HR8-ZIP box 110			ZPH152	ZPH154	ZPH156	ZPH155
Dimensioni (mm)	70x70, 90x90, 110x110, 150x150	70x70, 90x90, 110x110, 150x150	18x50	30x55	40x55	30x110	20x110
Materiale	Al	Al	Al	Al	Al	Al	Al
							
				tipo 829	tipo 828	tipo 855	tipo 856
Colore	Standard: RAL 9006 alluminio brillante RAL 9007 alluminio grigiastro RAL 9010 bianco puro		RAL 7016 grigio antracite RAL 7016 grigio antracite struttura RAL 8014 marrone seppia	altri colori RAL su richiesta*			

*eccetto i pezzi in plastica

Tessuti di tipo Blackout:

In ogni tipo di montaggio, lo strato non trasparente viene posto dalla parte della finestra. Nel caso di montaggio fuori, il vento forte può causare un leggero sollevamento della lista inferiore e del tessuto, e perciò non è sempre possibile garantire l'oscuramento al 100%. Nel caso dei tessuti Blackout, gli zip sono attaccati dalla parte della vista, e non sullo strato non trasparente, e perciò è possibile che con un forte vento o una vista traversa sulla lista di guida si vedrà un pezzo di tessuto del nastro zip, ma ciò ha soltanto una piccola importanza in confronto alla vista o alla tenuta del tessuto (riduzione dell'ondulazione).

Fenomeni comuni di tessuti tecnici

Un'increspatura del tessuto può apparire intorno alle saldature o nel centro del tessuto perché durante l'uso agiscono sul tessuto varie forze e perciò tale fenomeno è comune. Ne fa parte anche il cosiddetto "effetto da abete" quando il tessuto è increspato nella zona di cuciture. Dei visibili segni di pressione da parte del cilindro sul tessuto spariscono con temperature superiori, quando il tessuto si ripiana. La lista inferiore non arriva fino al box.

Dimensioni standard

Dimensioni standard per il box 70

Comando	Larghezza (mm)		Altezza (mm)		Area garantita (m ²)
	min.	max.	min.	max.	max.
manovella	400	2500	400	1200	3
motore LS40	580	2500	400	1200	3
motore 40 iO	635	2500	400	1200	3

Altezza massima con il tessuto STNBZ, SCR4005, SLTZB92 è soltanto 900 mm

Dimensioni standard per il box 90

Comando	Larghezza (mm)		Altezza (mm)		Area garantita (m ²)
	min.	max.	min.	max.	max.
manovella	400	2800	400	2500	7
motore RTS, iO, WT	795	2800	400	2500	7
sistema solare*	595	2500	400	3000	7

Altezza massima con il tessuto STNBZ, SCR4005, SLTZB92 è soltanto 1800 mm

Dimensioni standard per il box 110

Comando	Larghezza (mm)		Altezza (mm)		Area garantita (m ²)
	min.	max.	min.	max.	max.
manovella	400	3500	400	3500	10
motore RTS, iO, WT	795	3800	400	3500	13
sistema solare*	595	2500	400	3000	7,5

Altezza massima con il tessuto STNBZ, SCR4005, SLTZB92 è soltanto 2600 mm

Dimensioni standard per il box 150

Comando	Larghezza (mm)		Altezza (mm)		Area garantita (m ²)
	min.	max.	min.	max.	max.
manovella	400	3000	400	5000	12
motore RTS, iO, WT	795	6000	400	5000	18
sistema solare*	595	2500	400	3000**	7,5

Altezza massima con il tessuto STNBZ, SCR4005, SLTZB92 è soltanto 4500 mm

* box soltanto quadrato

** Altezza massima con il tessuto STNBZ, SCR4005, SLTZB92 è soltanto 2600 mm

SCREEN HR8-ZIP (2-01330-XXXX)

posizione	denominazione item	Denominazione commerciale	numero del disegno
1-8	Sicura del terminale della lista inferiore - sinistra nera		vedi pagina 77
9	Sicura del terminale della lista inferiore HR8-ZIP - destra nera		vedi Profili divisi
19	Sicura del terminale della lista inferiore - destra nera		vedi il campionario SCREEN
20	Sicura del terminale della lista inferiore - sinistra nera	ZPH092/1	3-03659-9004
30	Terminale della lista inferiore - destra nera	ZPH093/1	3-03657-9004
40	Sicura del terminale della lista inferiore - destra nera	ZPH091/1	3-03658-9004
50	Terminale della lista inferiore - sinistra nera	ZPH094/1	3-03656-9004
90	Tappo del cilindro diam. 55mm	ZPH173	6-014233-0000
100	Tappo del cilindro diam. 67mm	51680.029.013	6-014234-0000
110	Tappo del cilindro diam. 85mm	A 67/18	6-012359-0000
200	Tappo del cilindro diam. 95mm	ZPH136	6-014238-0000
200	Tappo del cilindro diam. 55mm con apertura quadrangolare 12	ZPH139	6-013984-0000
200	Tappo del cilindro diam. 67mm con apertura quadrangolare 12	ZPA008/1	3-04003-9004
200	Cavicchio quadrangolare - 12mm Fe/Zn L=99mm	ZPH143	6-014237-0000
210	Motori (SOMFY) Screen	ZPH138	6-014243-0000
210	Comando manuale	ZPH141	6-013983-0000
221	Guida - lista/cavetto - sinistro - destro	ZPH127	6-014271-0000
510	Motori (SOMFY, BECKER) Screen		vedi pagina 84
520	Comando manuale		vedi pagina 83
900-910	Guida - lista/cavetto - sinistra - destra		vedi Guida - lista/cavetto - sinistra - destra

Profili divisi (3-03054-PU11)

posizione	denominazione item	Denominazione commerciale	numero del disegno
5	Profilo del carico della lista inferiore diam. 8mm - Fe/Zn	ZPH077	6-013966-0000
6	Profilo dell'aggravamento della lista inferiore diam. 20x12mm - Zn	ZPH076/1	3-04746-PU27
7	Profilo inferiore GRANDE	ZPH074	6-014021-0000
8	Asta in plastica 3,0 mm PVC	ZP0097/0003	6-016911-0003
11	Guarnizione della lista di guida	ZPH116	6-013974-0000
19	Cilindro di avvolgimento Al diam. 40mm - 6m	ZPH122	6-014229-0000
20	Cilindro di avvolgimento Al diam. 55mm - 6m	ZPH123	6-014027-0000
21	Cilindro di avvolgimento Al diam. 67mm - 6m	ZPH124	6-013982-0000
22	Cilindro di avvolgimento diam. 85x1,20mm-6m	ZPA020	6-016860-0000
23	Cilindro di avvolgimento Al diam. 95mm - 6m	ZPH126	6-014231-0000
24	Profilo per la corsa del tessuto	ZPH115 -1	7-303663-0000
25	Asta in plastica 4,0 mm PVC	ZP0097/0004	6-016911-0004

Guida - lista/cavetto - sinistra - destra (2-01634-PU11L/P)

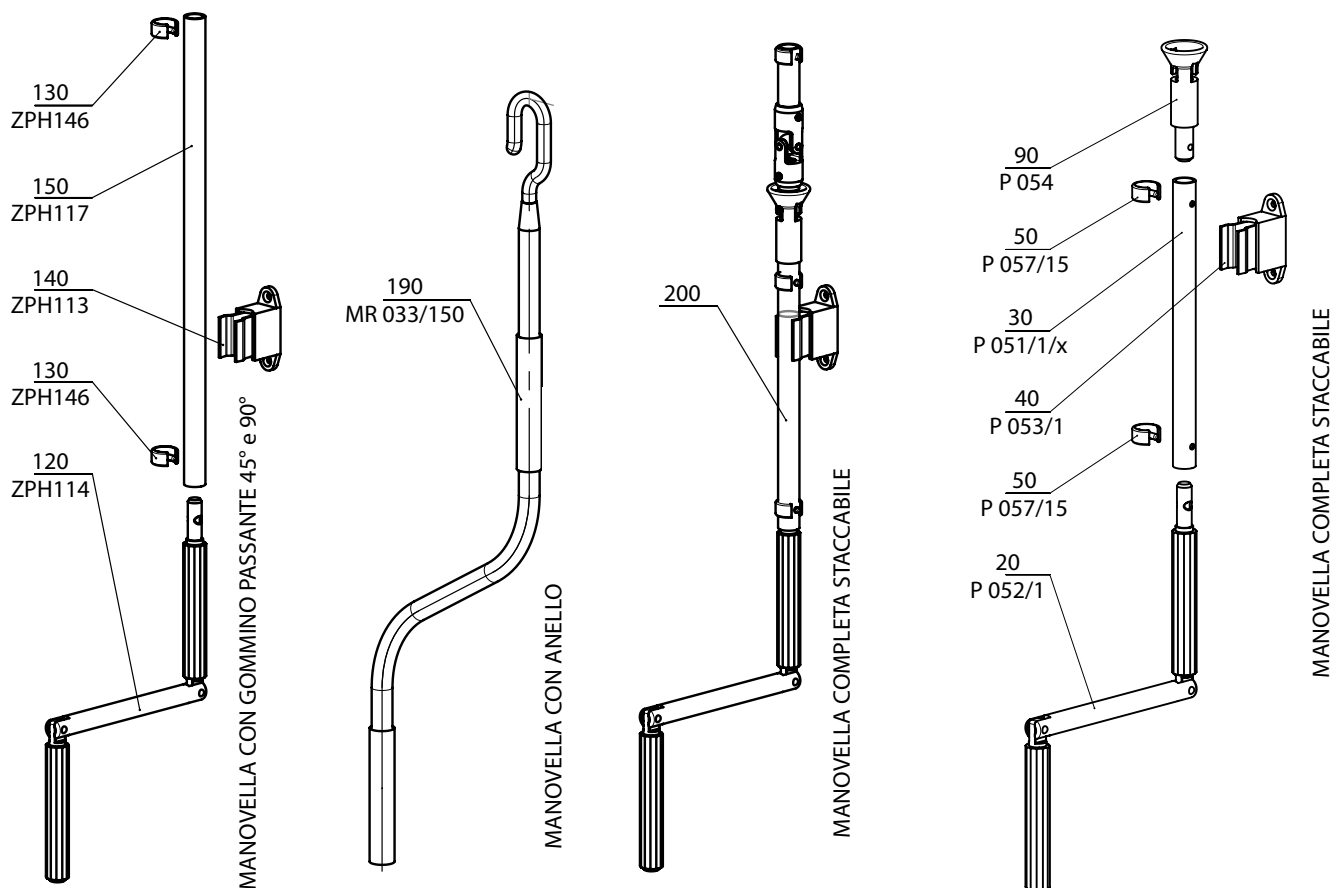
posizione	denominazione item	Denominazione commerciale	numero del disegno
10	Profilo lista di guida 820,830,828,838,829,839,855,865,856,866		per il box 70
11	Profilo lista di guida 820,830,828,838,829,839,855,865,856,866		per il box 90
12	Profilo lista di guida 820,830,828,838,829,839,855,865,856,866		per il box 110
13	Profilo lista di guida 820,830,828,838,829,839,855,865,856,866		per il box 150
15	Profilo di guida HR8-ZIP per zip v3	ZPH145	6-014155-0000
20	Molla lista di guida HR8-ZIP	ZPH147/1	7-303662-0000
30	Clip lista di guida HR8-ZIP	ZPH099	6-013993-0000
40	Vite 4,2x25, DIN 7981	51660.042.025	6-014157-0000
80	Terminale lista di guida - 40 mm	ZPH095/1	3-03667-9004
81	Terminale doppio lista di guida HR8-ZIP	ZPH127	6-014442-0000
200	Supporto lista di guida 50mm	ZPH082	6-014549-0000
201	Supporto lista di guida 60mm	ZPH083	6-014550-0000
202	Supporto lista di guida 100mm	ZPH084	6-014552-0000
203	Supporto lista di guida 130mm	ZPH085	6-014542-0000
210	Vite M4x5, DIN 7985	51340.040.005	6-014559-0000
220	Rondella M4, DIN 433	51930.040.001	6-014560-0000
230	Dado M4 DIN 934	51080.040.001	6-014561-0000

SCREEN HR8-ZIP box 110 (2-01330-0110)

posizione	denominazione item	Denominazione commerciale	numero del disegno
3	Profilo BOX 110mm - pezzo anteriore QUADRATO	ZPH007	6-013978-0000
3	Sponda 110mm quadrata - DESTRA	ZPH024	6-013977-0000
3	Sponda 110mm quadrata - SINISTRA	ZPH023	6-013975-0000
3,7	Profilo BOX 110mm - pezzo posteriore	ZPH009	6-013976-0000
3,7	Clip lista di guida ZIP	ZPH099	6-013993-0000
3,7	Profilo di guida per zip v3	ZPH145	6-014155-0000
3,7	Molla lista di guida ZIP	ZPH147/1	7-303662-0000
3,7	Terminale lista di guida - 40 mm	ZPH095/1	3-03667-9004
3,7	Terminale lista di guida - 55 mm	ZPH159	6-014830-9005
7	Sponda 110mm quarto rotonda - SINISTRA	ZPH021	6-014147-0000
7	Profilo BOX 110mm - pezzo anteriore QUARTO ROTONDO	ZPH008	6-014146-0000
7	Sponda 110mm quarto rotonda - DESTRA	ZPH022	6-014148-0000
9	Profilo del carico della lista inferiore diam. 8mm - Fe/Zn	ZPH077	6-013966-0000
9	Profilo dell'aggravamento della lista inferiore diam. 20x12mm - Zn	ZPH076/1	3-04746-PU27
9	Profilo inferiore GRANDE - 6,05m	ZPH074	6-014021-0000
9	Asta in plastica 3,0 mm PVC	ZP0097/0003	6-016911-0003
9	Guarnizione della lista inferiore	ZPH116	6-013974-0000
9	Cilindro di avvolgimento Al diam. 55mm - 6m	ZPH123	6-014027-0000
9	Cilindro di avvolgimento Al diam. 67mm - 6m	ZPH124	6-013982-0000
9	Cilindro di avvolgimento Al diam. 95mm - 6m	ZPH126	6-014231-0000
9	Cilindro di avvolgimento diam. 85x1,20mm-6m	ZPA020	6-016860-0000
9	Asta in plastica 4,0 mm PVC	ZP0097/0004	6-016911-0004
9	Asta in plastica 6,0 mm PVC	ZP0097/0006	6-016911-0006
9	Profilo per la corsa del tessuto	ZPH115 -1	7-303663-0000
20	Sicura del terminale della lista inferiore - SINISTRA NERA	ZPH096	6-013964-9004
30	Terminale della lista inferiore - DESTRO NERO	ZPH091	6-013963-9004
40	Sicura del terminale della lista inferiore - DESTRA NERA	ZPH097	6-013965-9004
50	Terminale della lista inferiore - SINISTRO NERO	ZPH092	6-013962-9004
200	Tappo del cilindro diam. 55mm	ZPH136	6-014238-0000
201	Tappo del cilindro diam. 67mm	ZPH139	6-013984-0000
202	Terminale dell'albero diam. 85mm - di passaggio	ZPA008/1	3-04003-9004
203	Tappo del cilindro diam. 95mm	ZPH143	6-014237-0000
210	Tappo del cilindro diam. 55mm con apertura quadrangolare 12	ZPH138	6-014243-0000
211	Tappo del cilindro diam. 67mm con apertura quadrangolare 12	ZPH141	6-013983-0000
212	Inserto del terminale dell'albero - diam.50mm	ZPA017	3-03486-9004
220	Cavicchio del tappo del cilindro - 12mm Fe/Zn	ZPH129	6-013985-0000
232-235	Supporto PARETE/SOFFITTO - box 110mm	ZPH080	6-014342-0000
510	Motori (SOMFY, BECKER) SCREEN HR7/HR8-ZIP		vedi pagina 84
510	Trascinatore LT50 HI - diam. 65mm	ZPH160	6-013980-0000
510	Trascinatore LT50 HI - diam. 85mm	ZPH161	6-014326-0000
510	Trascinatore LT50 HI - diam. 95mm	ZPH162	6-014327-0000
510	Trascinatore LS40 - diam. 50mm	ZPH163	6-014328-0000
510	Asse del cuscinetto piana - NERA	ZPH104	6-014333-9004
510	Asse del cuscinetto con clip SC700/SC800 - NERA	ZPH105	6-014334-9004

SCREEN HR7 e HR8-ZIP

Comando a manovella



2-01372-XXXX-0

2-01436-XXXX-A

Comando manuale – SCREEN HR (2-01372-XXXX-0)

posizione	denominazione item	Denominazione commerciale	numero del disegno
120	Manovella piegante	ZPH114	6-014323-0000
130	Anello di fissaggio con perno	ZPH146	6-014451-0000
140	Supporto di manovella	ZPH113	6-014319-0000
150	Tubo di manovella PVC – diametro 12 mm	ZPH117	6-014324-0000
190	Manovella della tenda da sole 1500 mm	MR 033/150	6-011095-1500
200	Manovella completa staccabile per SCREEN		2-01436-0000

Manovella completa staccabile per SCREEN (2-01436-XXXX-0)

posizione	denominazione item	Denominazione commerciale	numero del disegno
20	Manovella piegante Al – diametro 12 mm grigia	P 052/1	6-006682-0000
30	Tubo di manovella Al – diametro 15 mm elox	P 051/1/X	7-301797-PU52
40	Supporto della manovella – universale grigio	P 053/1	6-006683-7045
50	Anello di fissaggio con perno 15 mm grigio	P 057/15	6-006467-7035
90	Imbuto della manovella quadrangolare	P 054	6-001190-0000

SCREEN HR7 e HR8-ZIP

Comando a motore

Motori (SOMFY) Screen (2-00530-0002)

posizione	denominazione item	Denominazione commerciale	numero del disegno
101-103	Motore ALTUS 50 RTS	MR 091/06	6-011170-xxxx
201-203	Motore Sunea 50 Screen io	ZP0084	6-012559-xxxx
301-303	Motore MAESTRIA +50 IO	ZP0084/1	6-012538-xxxx
501-503	Motore LT 50	PR0130	6-002630-xxxx
2000	Trascinatore LT50 HI - diam. 65mm	ZPH160	6-013980-0000
2011	Trascinatore LT50 HI - diam. 85mm	ZPH161	6-014326-0000
2012	Trascinatore LT50 HI - diam. 95mm	ZPH162	6-014327-0000
2013	Trascinatore LS40 - diam. 50mm	ZPH163	6-014328-0000
2020	Adattatore LS40 - diam. 50mm	ZPH164	6-014330-0000
2022	Adattatore LS/LT50 - diam. 65mm	ZPH166	6-014332-0000
2031	Asse del cuscinetto piana NERA	ZPH104	6-014333-9004
2032	Asse del cuscinetto con clip NERA	ZPH105	6-014334-9004
2040	Vite M5x16 Zn DIN 965-Z	51302.050.016	6-014338-0000
2050	Isolatore passante del cavo DI GOMMA diam.7	ZPH150	6-014339-0000
2060	Staffa del cavo 300x4,8 - NERA	ZPH168	6-014438-0000

Motori (SOMFY) Screen HR7/HR8-ZIP – BOX 70 (2-00530-0004)

posizione	denominazione item	Denominazione commerciale	numero del disegno
20	Motore LS 40	PR0125	6-002624-0009
30	Motore Sunea 40 Screen IO	ZP0091/16	6-014483-0009
40	Supporto del motore LS 40	ZPH167	6-014336-0000
50	Adattatore LS 40	ZPH164	6-014331-0000
60	Trascinatore LS 40	ZPH163	6-014328-0000
70	Asse del cuscinetto piana	ZPH104	6-014333-9004
80	Asse del cuscinetto con clip	ZPH105	6-014334-9004
90	Isolatore del cavo di gomma diam. 7	ZPH150	6-014339-0000
100	Staffa del cavo 300x4,8	ZPH168	6-014438-0000
110	Vite 3,5x16 DIN 7982	VRH 130	6-014674-0000

Motori (Becker) Screen ALFA-ZIP (6-015258 / 6-012538 / 6-002624 / 6-014483)

posizione	denominazione item	Denominazione commerciale	numero del disegno
500	Motore BECKER 50 E 08/17	X.2010/1301590	6-017861-0008
500	Motore BECKER 50 E 12/17	X.2010/1301600	6-017861-0012
500	Motore BECKER 50 E 20/17	X.2010/1301450	6-017861-0020
500	Motore BECKER 50 Screen C 08/17PLUS	X.2010/1302170	6-018761-0008
500	Motore BECKER 50 Screen C 12/17PLUS	X.2010/1302180	6-018761-0012
500	Motore BECKER 50 Screen C 20/17PLUS	X.2020/1301860	6-018761-0020

* Nota: E = elettronico motore / C = radio motore

Motori (ISOTRA BASIC) Screen HR 8 - ZIP BOX 110

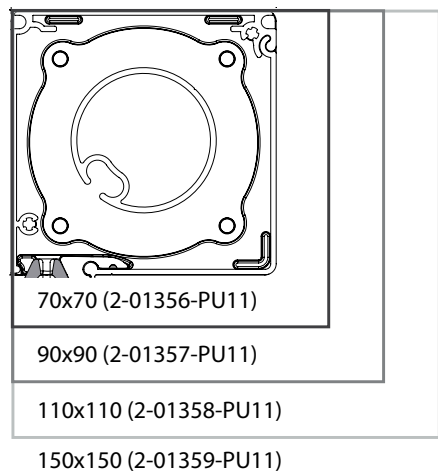
posizione	denominazione item	Denominazione commerciale	numero del disegno
600	Motore ISOTRA BASIC, 10Nm/17, con ricevitore integrato, SC zip	X.AM45 10/17S	6-019173-0010
600	Moteur ISOTRA BASIC, 15Nm/17, con ricevitore integrato, SC zip	X.AM45 15/17S	6-019173-0015
600	Moteur ISOTRA BASIC, 20Nm/17, con ricevitore integrato, SC zip	X.AM45 20/17S	6-019173-0020

SCREEN HR8-ZIP

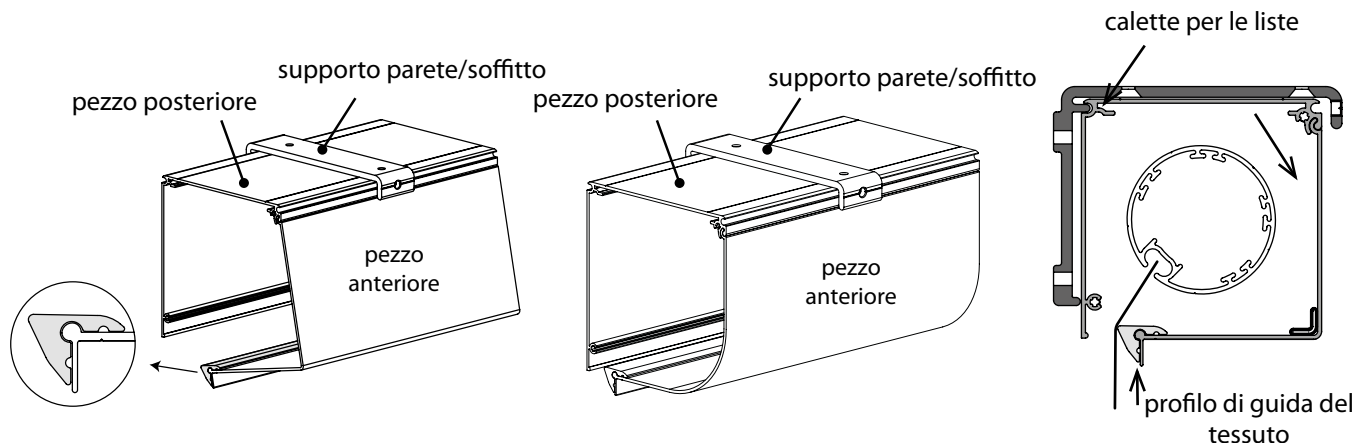
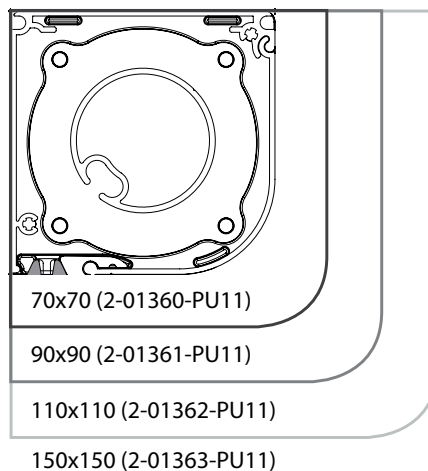
Specificazione tecnica

Profilo superiore – quadrato

(2-01356, 2-01357, 2-01358, 2-01359)

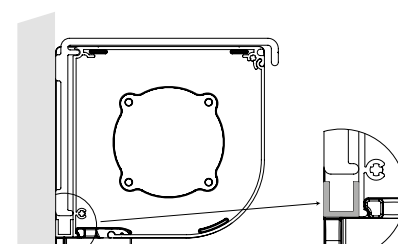
**Profilo superiore – quarto rotondo**

(2-01360, 2-01361, 2-01362, 2-01363)

**Parte posteriore del box****U-profilo – orizzontale**

Lo spazio tra il box e la parete può essere riempito orizzontalmente tramite U-profilo dalle dimensioni $10 \times 10 \times 10$ mm, la lunghezza è determinata dalla larghezza del box.

Uso: - con il supporto parete/soffitto,

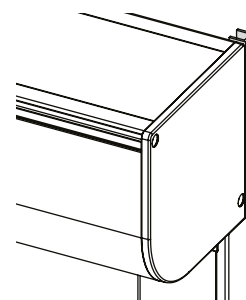


U-profilo – orizzontale

U-profilo – verticale

Lo spazio tra il box e la parete può essere riempito dal profilo la cui lunghezza è determinata dall'altezza del box.

Uso: - con il supporto parete/soffitto,



U-profilo – verticale

Supporto parete/soffitto – box 70 mm, box 90 mm, box 110 mm, box 150 mm

(6-014340, 6-014341, 6-014342, 6-014343)

Materiale: alluminio estruso con verniciatura in polvere

Per l'installazione di tutte le misure del profilo superiore, indipendentemente dalle liste di guida:

Numero standard dei supporti parete/soffitto:

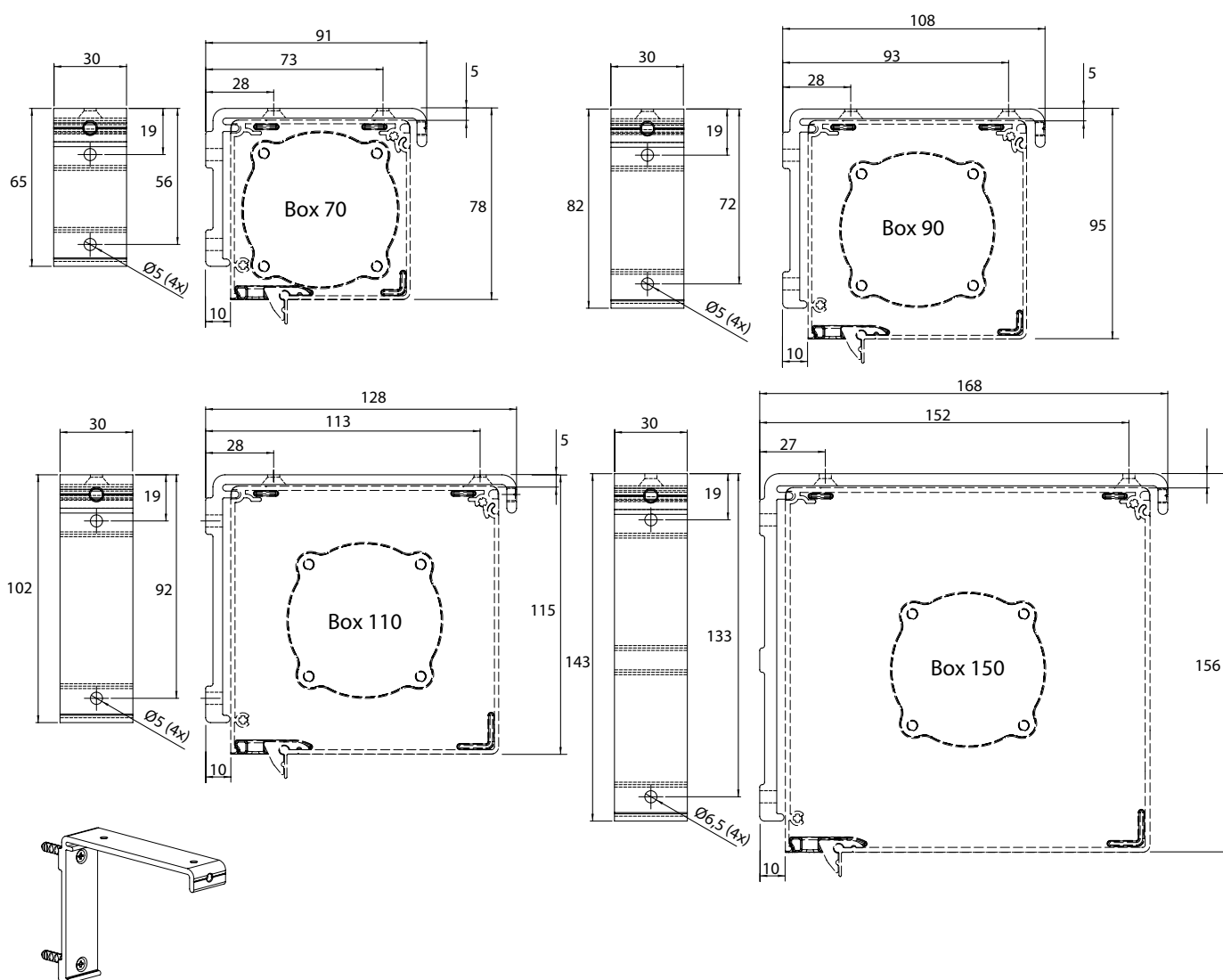
Larghezza della tende a rullo (mm)	Box	
	70 - 90	110 - 150
0 – 1500	0 (2*) pezzi	2 pezzi
1501 – 3000	3 pezzi	3 pezzi
3001 – 4500	4 pezzi	4 pezzi
4501 - 6000	5 pezzi	5 pezzi

* Se nel modulo d'ordine verrà indicato „supporto parete/soffitto“, poi saranno consegnati 2 pezzi dei supporti (fino alla larghezza della tende a rullo pari a 1500 mm, la tende a rullo è autoportante).

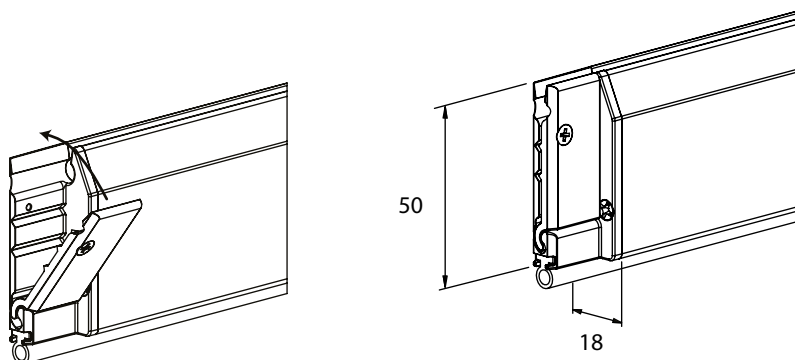
Se viene usato il supporto parete/soffitto, si consiglia usare le liste di guida di tipo A829, A839, A828, A838, A865, A837 e A855.

Larghezza: 30 mm

Solleva la parte posteriore del profilo superiore di 10 mm in avanti così come anche le cerniere delle liste di guida.



Profilo inferiore grande (6-014021-0000)



Materiale: profili in alluminio estruso:

- con verniciatura in polvere
- con spazio per nastro caricatore
- con caletta per il tessuto
- con caletta per la gomma di tenuta

Il tessuto viene attaccato alla lista inferiore senza le viti, ma tramite l'asta in plastica Ø 3 mm.

E' parzialmente nascosta nel box della tende a rullo, quando il tessuto e avvolto.

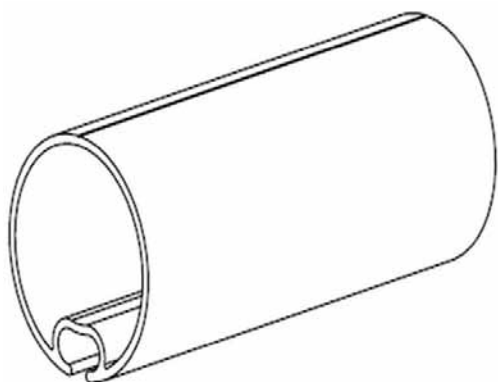
In variante, guarnizione di gomma nel profilo inferiore.

Blocchi scorrevoli

in due parti per un buon attacco del tessuto

Cilindro di avvolgimento diam. 40mm – 6m, diam. 55mm – 6m, diam. 67mm – 6m, diam. 85mm - 6m, diam. 95mm - 6m

(6-014229-0000, 6-014027-0000, 6-013982-0000, 6-016860-0000, 6-014231-0000)



Materiale: alluminio estruso per tubi Ø 40, Ø 55 o Ø 67 mm e acciaio zincato per tubi Ø 85 e Ø 95 mm.

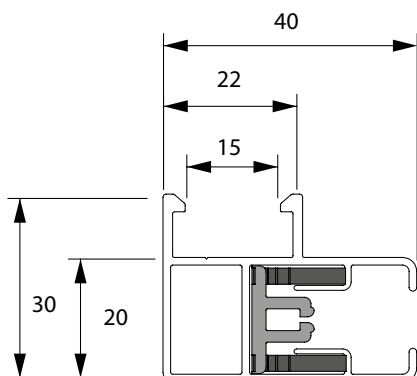
E' possibile usare vari tipi di cilindri di avvolgimento, in dipendenza dal tipo di comando e dal tipo di box: tubi Ø 40 mm (eccetto il comando elettrico), Ø 55 mm, Ø 67 mm, Ø 85 mm o Ø 95 mm.

Liste di guida per il motore

Materiale: profili in alluminio estruso con verniciatura in polvere

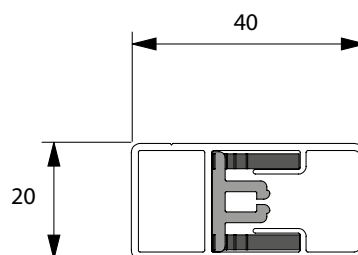
Lista di guida T839 (6-014417)

- lista di guida standard per l'attacco alle cerniere o a poca distanza rispetto alla parte laterale (10 mm).



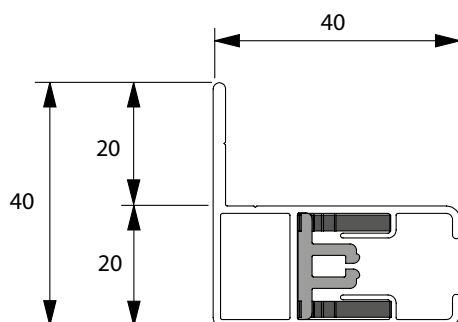
Lista di guida T830 (6-014418)

- lista di guida piana senza cerniere.



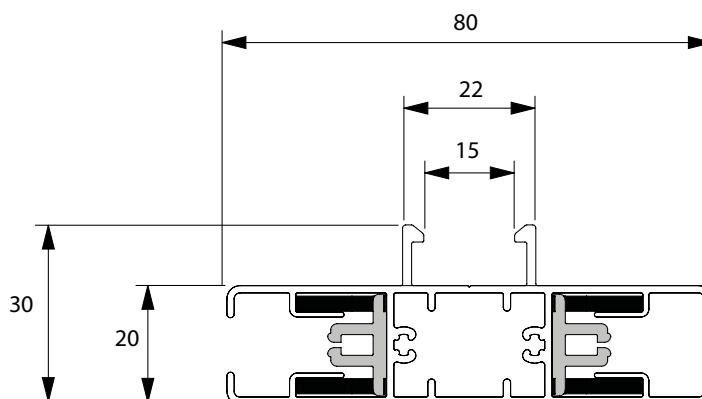
Lista di guida T838 (6-014419)

- lista di guida con flangia di montaggio corta.

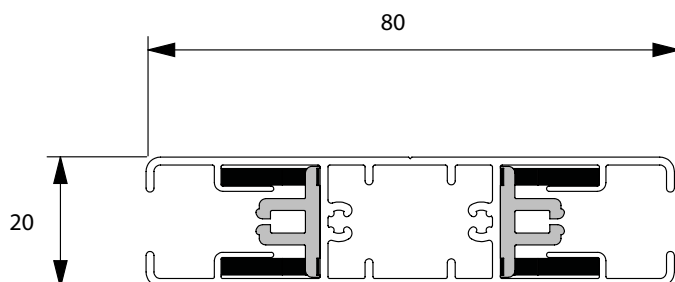


Lista di guida T865 (6-014420)

- lista di guida ausiliare



Lista di guida T866 (6-014421) - lista di guida ausiliare

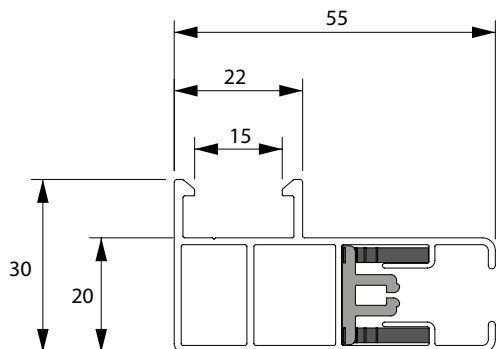


Liste di guida per manovella

Materiale: profili in alluminio estruso con verniciatura in polvere

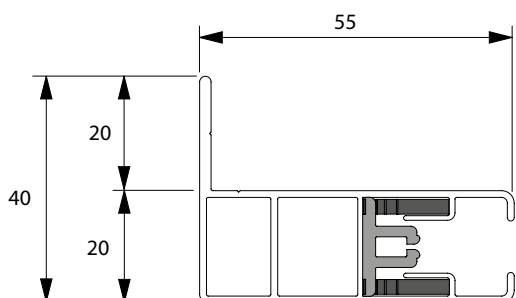
Lista di guida T829 (6-013989)

- lista di guida standard per l'attacco alle cerniere o a poca distanza rispetto alla parte laterale (10 mm).



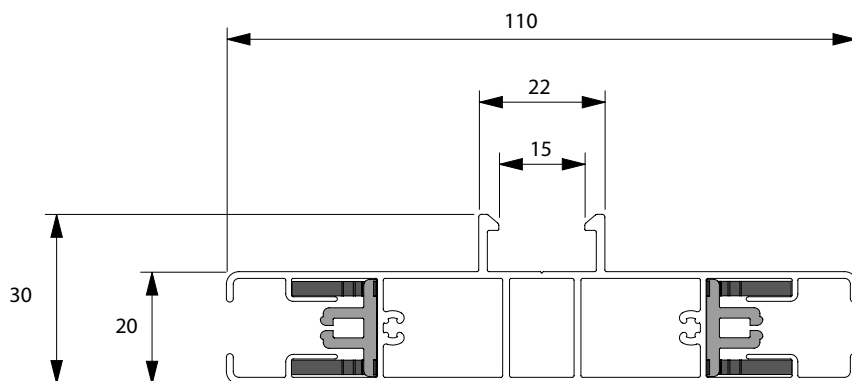
Lista di guida T828 (6-014153)

- lista di guida con flangia di montaggio corta



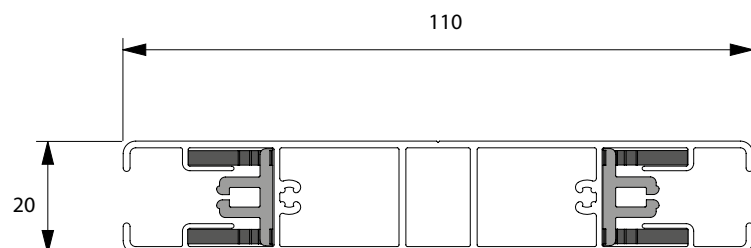
Lista di guida T855 (6-014827)

- lista di guida ausiliare



Lista di guida T856 (6-014154)

- lista di guida ausiliare



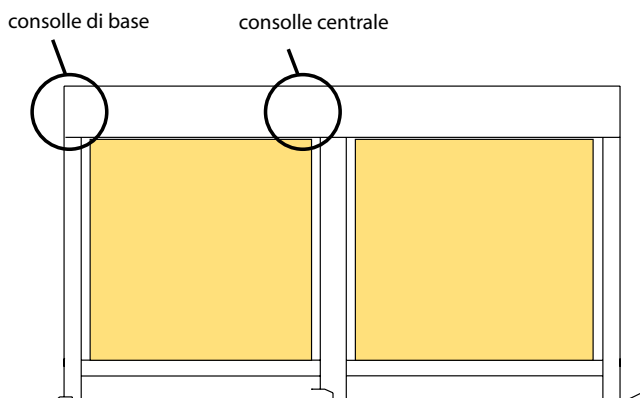
Guide di foratura frontale/laterale (da entrambi i lati suibordi 200 mm)

all'altezza 1500 mm	2 fori (terminali)
dall'alt. 1500 mm all'alt. 3000 mm	3 fori (2 foriterminali + 1 foro al centro)
dall'alt. 3000 mm all'alt. 4500 mm	4 fori (2 foriterminali + 2 fori al centro)
Dall'alt. 4500 mm	5 fori (2 foriterminali + 3 fori al centro)

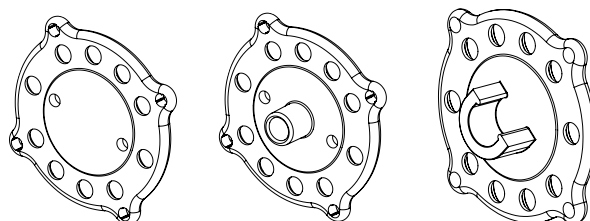
Sponde:

- Sponde di base:** - sponde in alluminio con perni colati sotto pressione = montaggio ai perni,
 - sponde in alluminio complete con assi portanti universali di materiale sintetico nero.

- Sponde centrali:** - sponde in alluminio con perni colati sotto pressione,
 - tengono il cuscinetto delle tende a rullo collegate tra di loro o l'asse portante universale.



Asse portante universale:



Collocamento del comando - uscita

Tipo di montaggio	Comando	O				A				E/H*				T				B							
		70	90	110	150	70	90	110	150	70	90	110	150	70	90	110	150	70	90	110	150				
A-AE	Motore	x	x	x	x	x	x	x	x	o	o	x	x												
	Manovella 45°													x	x	x	x								
	Manovella 90°	o	x	x	x	x	x	x	x																
	Manovella Manovella con cappio																								
B-BE	Motore									o	o	x	x									x	x	x	x
	Manovella 45°																								
	Manovella 90°																					x	x	x	x
	Manovella Manovella con cappio																								

Tipo di montaggio	Comando	K				P				Q/D*				C				S							
		70	90	110	150	70	90	110	150	70	90	110	150	70	90	110	150	70	90	110	150				
A-AE	Motore																	x	x						
	Manovella 45°																								
	Manovella 90°																								
	Manovella Manovella con cappio									o	o	o	x												
B-BE	Motore	x	x	x	x					o	o	o	x												
	Manovella 45°													x	x	x	o								
	Manovella 90°	x	x	x	x																				
	Manovella Manovella con cappio									o	o	o	x												

- | |
|---|
| x |
|---|

 Si
- | |
|---|
| x |
|---|

 Possibile soltanto con il box quadrato
- | |
|--|
| |
|--|

 Uso con la trasmissione a cappio corto
- | |
|--|
| |
|--|

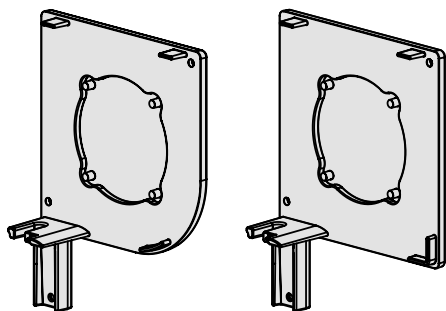
 Uso con la trasmissione a cappio lungo
- | |
|------|
| E/H* |
|------|

 Per il montaggio soffitto/architrave o per l'uso negli interni, per motivi della penetrazione dell'acqua.
- | |
|---|
| o |
|---|

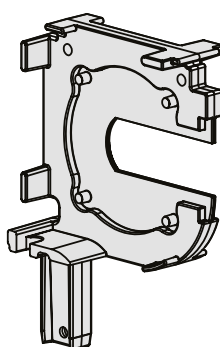
 Non e possibile

Montaggio ai perni

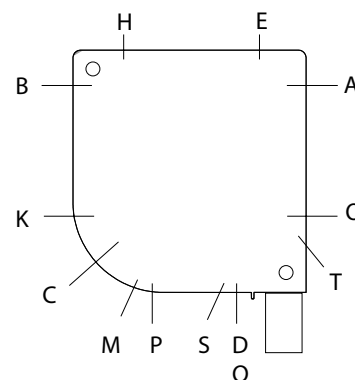
consolle di base



consolle centrale



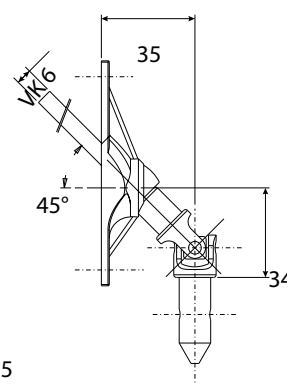
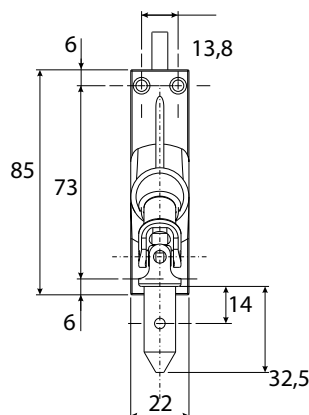
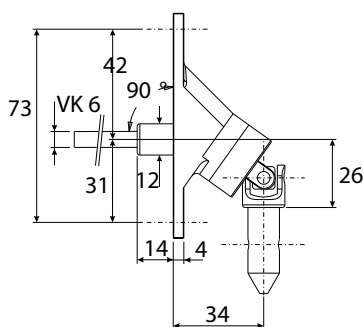
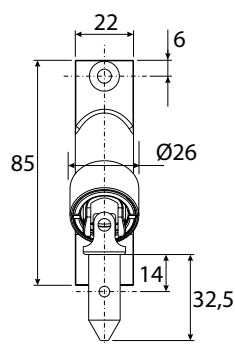
Uscite di comando



Comando - manovella

Comando interno

- Standard:
- manovella piegabile plastificata grigia,
 - giunto cardanico 90° o 45° o 0° (materiale della manovella: 6 mm quadrato, lunghezza 320 mm).
 - consolle magnetica tenente la manovella alla parete,
 - lunghezza della manovella dipende dall'altezza della tende a rullo: $L = H - 150$ mm (con il giunto 90°), $L = H - 350$ mm (con il giunto 45° e 0°).
- Alternativa:
- manovella staccabile con innesto speciale,
 - senza la manovella staccabile, con innesto speciale.



Giunto cardanico 90°

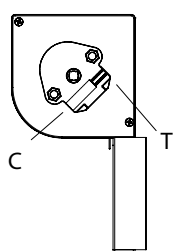
Giunto cardanico 45°

NB: l'asse del giunto cardanico può essere attaccata direttamente al box, e perciò è necessario garantire un ulteriore spazio intorno al box.

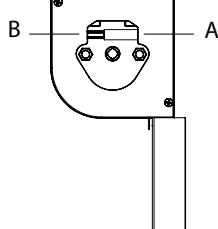
Comando esterno

- Standard:
- comando a manovella con cappio, manovella staccabile con gancio, lunghezza 1500 mm.
- Alternativa:
- altre lunghezze delle manovelle sono disponibili a pagamento supplementare.

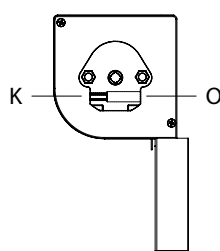
Attenzione: garantire abbastanza spazio da parte (± 10 mm) per motivo della rotazione del gancio della manovella nel cappio.



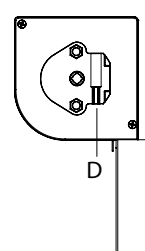
manovella 45° uscita C - T



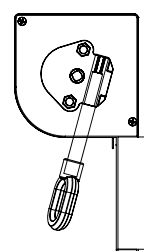
manovella 90° uscita A - B



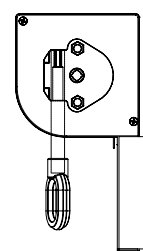
manovella 90° uscita O - K



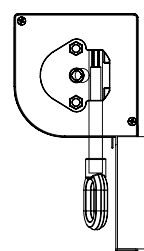
manovella 0° uscita D



manovella + cappio uscita S

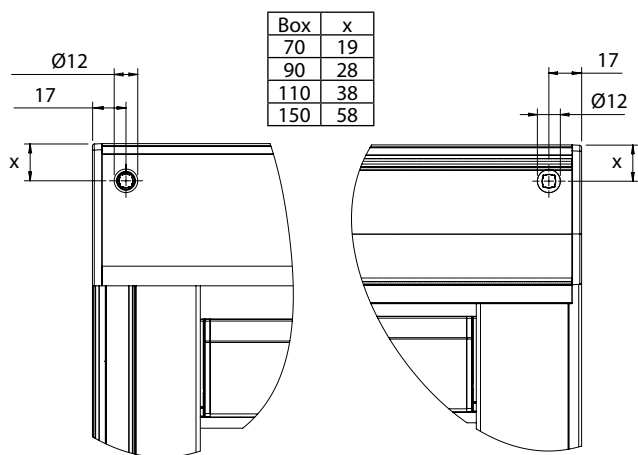


manovella + cappio uscita P



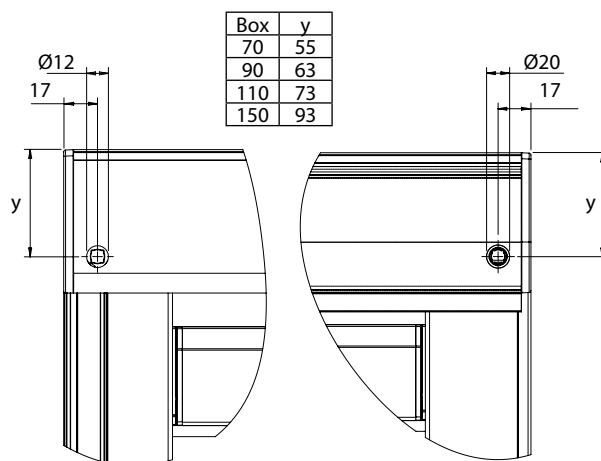
manovella + cappio uscita Q

Uscite di comando per la manovella attraverso la parete



manovella staccabile 90° uscita A

manovella staccabile 90° uscita B

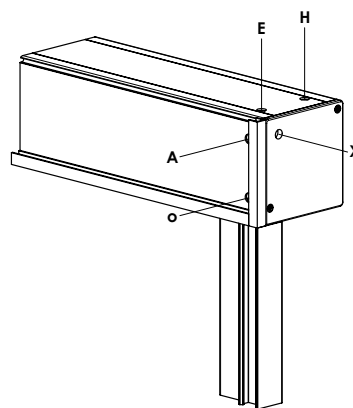
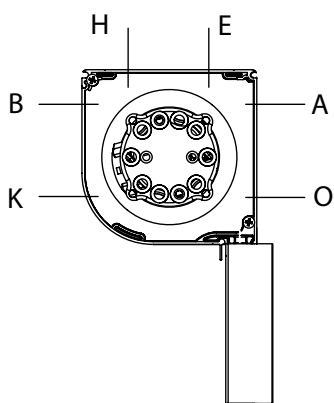


manovella staccabile 90° uscita O

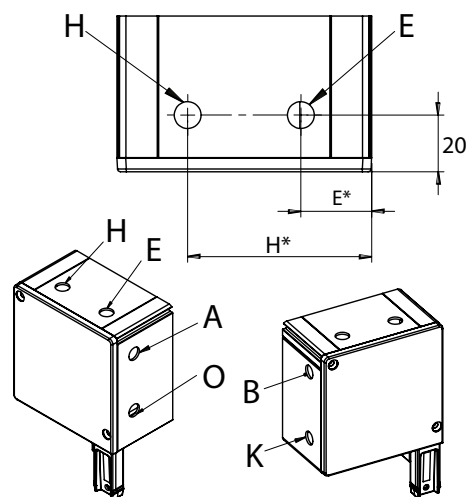
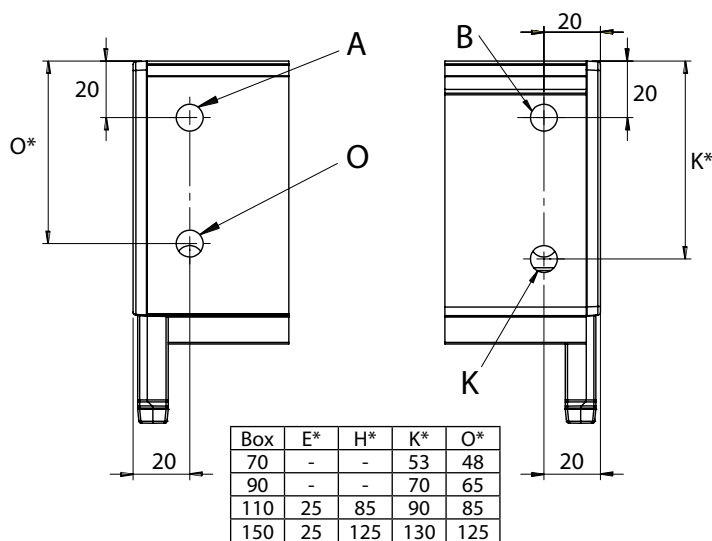
manovella staccabile 90° uscita K

Comando - motore

Possibilità di scegliere la posizione del cavo



a sinistra, uscita X (dalla sponda) soltanto per il box 110 e 150
a destra, uscita X (dalla sponda) soltanto per il box 110 e 150



Tende a Rullo collegate tra di loro

E' possibile usare un box comune per 2 - 3 tende a rullo screen.

DVC: tende a rullo direttamente una accanto all'altra

- con piccole liste di guida 865/866

DVS: tende a rullo con almeno uno spazio tra di loro:

- con piccole liste di guida 839, 830, 838, 865 o 866.

Larghezza massima del box 6 m.

Possibile con 1, 2 o 3 comandi.

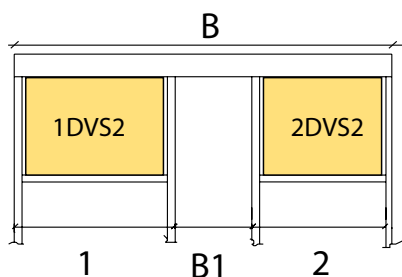
Larghezza minima delle singole tende a rullo dipende dal tipo di comando

Larghezza totale massima secondo il tipo del comando

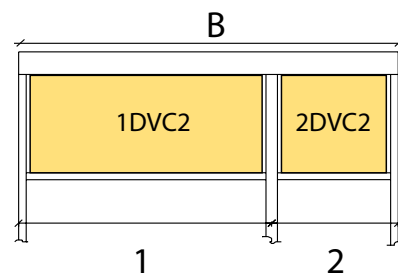
- Comando a manovella e comando elettrico si possono collegare tra di loro fino a 6 m.

- Si consiglia installare l'unità di comando alla tende a rullo più grande.

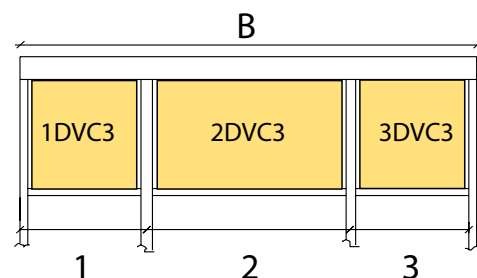
Non è possibile nel caso del box di tipo 150.



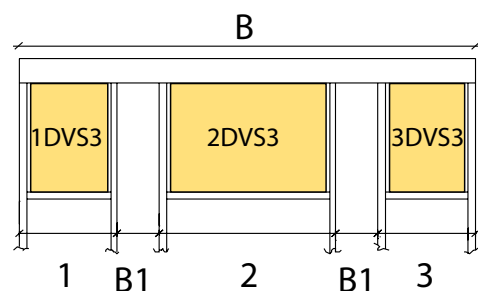
1DVS2 - 1a tende a rullo di due in un box comune
2DVS2 - 2a tende a rullo di due in un box comune



1DVC2 - 1a tende a rullo di due in un box comune
2DVC2 - 2a tende a rullo di due in un box comune



1DVC3 - 1a tende a rullo di tre in un box comune
2DVC3 - 2a tende a rullo di tre in un box comune
3DVC3 - 3a tende a rullo di tre in un box comune



1DVS3 - 1a tende a rullo di tre in un box comune
2DVS3 - 2a tende a rullo di tre in un box comune
3DVS3 - 3a tende a rullo di tre in un box comune

B = larghezza del box
B1 = larghezza tra le tende a rullo

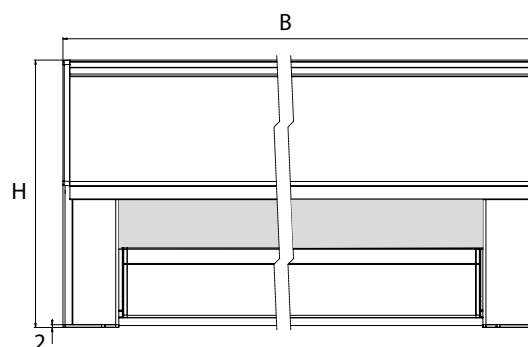
SCREEN HR8-ZIP

Misurazione

Larghezza finale B = distanza tra le consolle terminali.

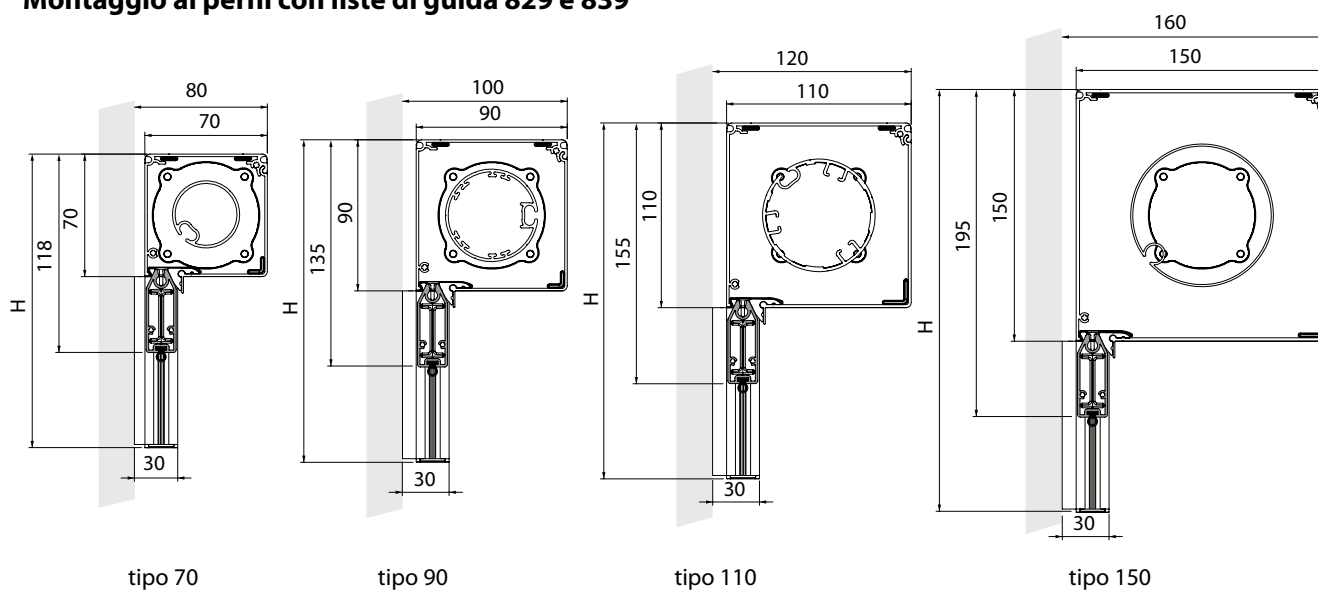
Altezza finale H = altezza compresi il box e i terminali delle liste di guida (spessore = 2 mm), eccetto il supporto parete/soffitto.

Maggiori informazioni nel documento separato **Istruzioni di misurazione e montaggio.**



Montaggio

Montaggio ai perni con liste di guida 829 e 839



tipo 70

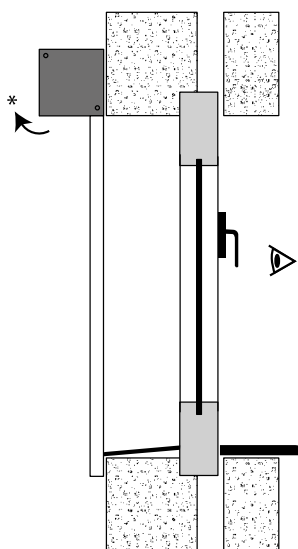
tipo 90

tipo 110

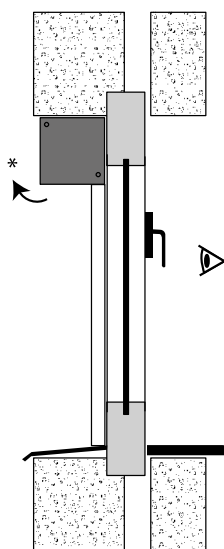
tipo 150

Tipi di montaggio

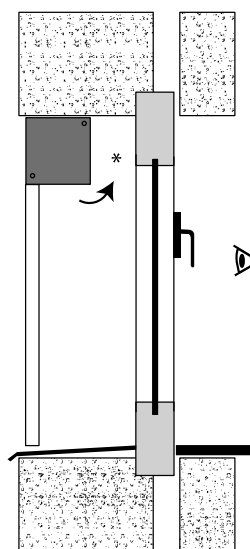
Tipo A-AE (alla parete)



Tipo A-AE (in spalletta)

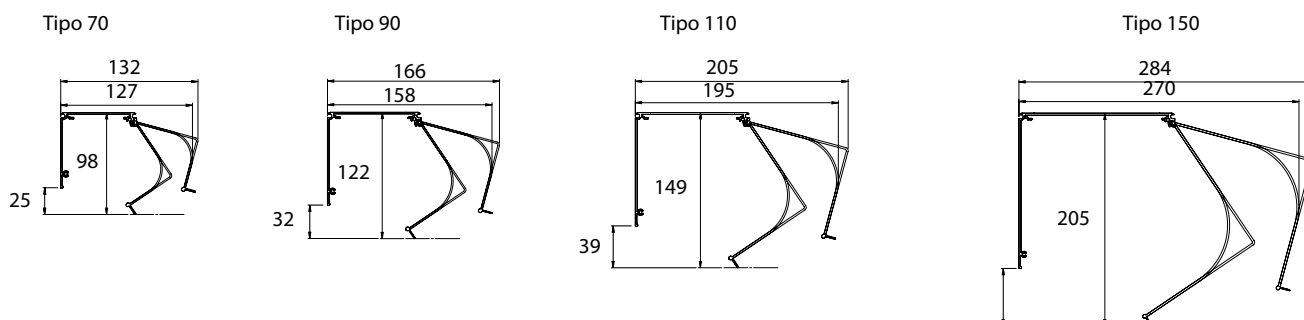


Tipo B-BE (in spalletta) *



- A - avvolgimento alla finestra "A" (standard)
- AE - avvolgimento alla finestra "AE" (esterno chiaro)
- B - avvolgimento dalla finestra "B"
- BE - avvolgimento dalla finestra "BE" (esterno chiaro)

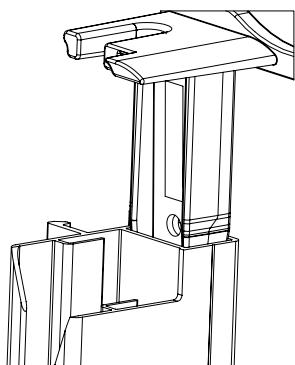
* spazio per apertura del box



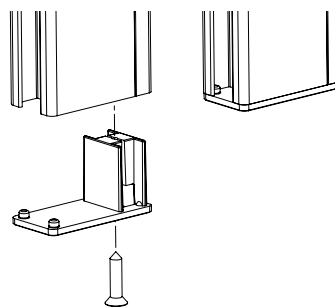
Montaggio ai perni

Il box si monta nelle liste di guida. Le liste si muovono ai perni delle consolle.

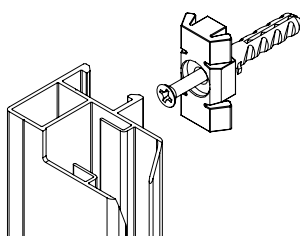
Montaggio ai perni



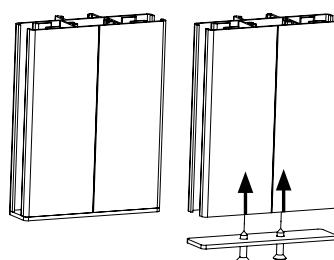
Arresto finale



Cerniere per le liste di guida 829, 839, 855, 865



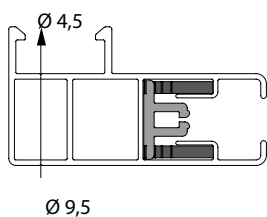
Arresto finale sulla lista di guida ausiliare



Con l'arresto finale di plastica nera o lamiera di alluminio nella parte inferiore per l'arresto della lista inferiore; spessore 2 mm.

Alcune liste di guida possono essere consegnate con fori pretrapanati sulla parte laterale.

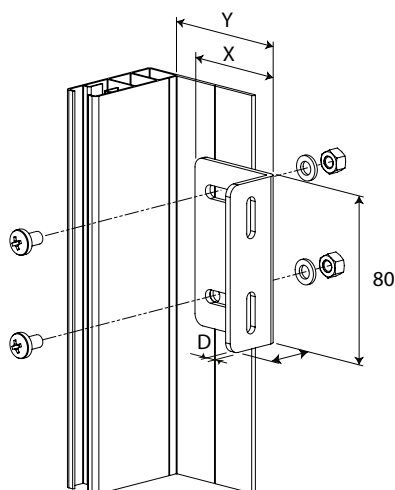
Foratura sul lato frontale:



Liste di guida per i fori trapanati sul lato frontale:

Foratura	829/839	830	828/838	855/865	856/866
parte laterale	X	X	-	X	X

Supporto per le liste di guida 828 e 838:



X x H x D	X	Y	numero del disegno
50 x 30 x 3	50	50-65	6-014549-0000
60 x 30 x 3	60	60-75	6-014550-0000
100 x 30 x 3	100	100-115	6-014552-0000
130 x 30 x 3	130	130-145	6-014542-0000

SCREEN HR7 e HR8-ZIP

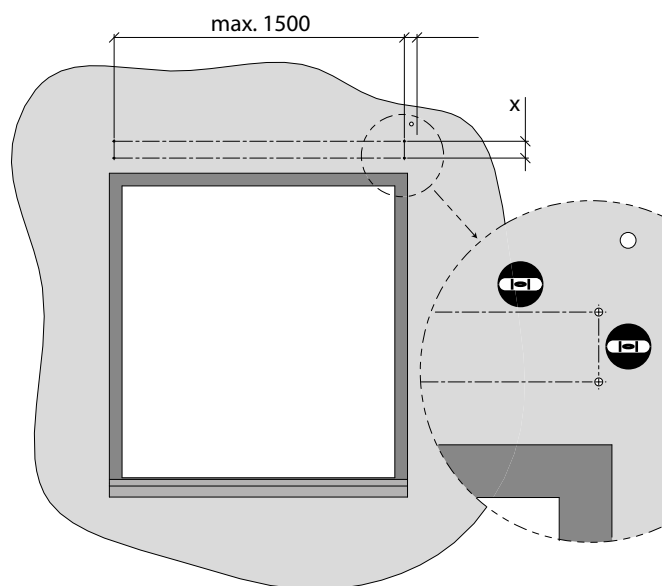
Montaggio

Esistono alcuni modi di installazione della tende a rullo, in dipendenza dalle circostanze:

- Metodo 1.** Fissare il box tramite travi di montaggio, inserire le liste di guida al perno della consolle e fissare le liste di guida con le viti.
- Metodo 2.** Posare il set completo del box e delle liste di guida nel vano della finestra o sopra ad esso e fissare con le viti.
- Metodo 3.** Avvitare le liste di guida, inserire il box nelle liste di guida e fissare.

METODO 1. L'attacco del box tramite travi di montaggio, l'inserimento delle liste di guida al perno della consolle e il fissaggio della lista di guida con le viti.

Passo 1: Trapanare i fori per le travi di montaggio



Tipo del box	X
70	37
90	53
110	73
150	114



Livella ad acqua

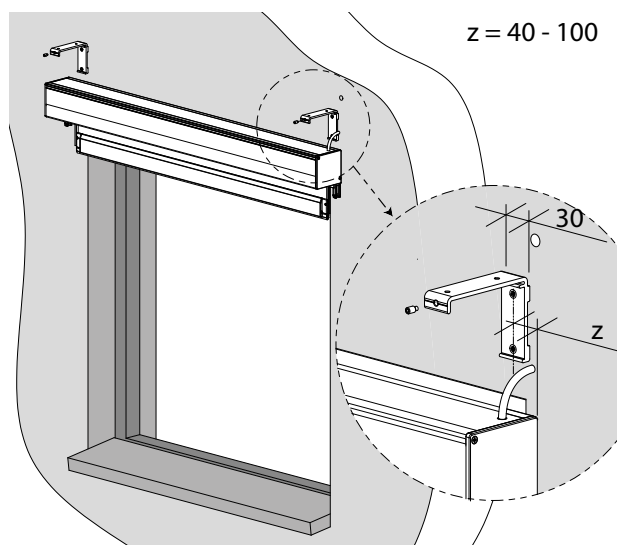
Posare le travi di montaggio nell'area di montaggio.
I fori superiori vanno usati per il montaggio al soffitto, mentre i fori posteriori per il montaggio alla parete.
Il box deve essere perfettamente orizzontale, e perciò bisogna verificare se le consolle siano debitamente equilibrate.
A tale scopo usare una livella e un filo a piombo o un altro strumento adeguato.

Passo 2: Installazione del box al supporto parete/soffitto

Una trave di montaggio a una consolle, il più vicino possibile ad essa.

Le altre travi si montano al centro del box distanziate uniformemente lungo la larghezza del box, essendo il loro scopo quello di impedire la piegatura dei box larghi.

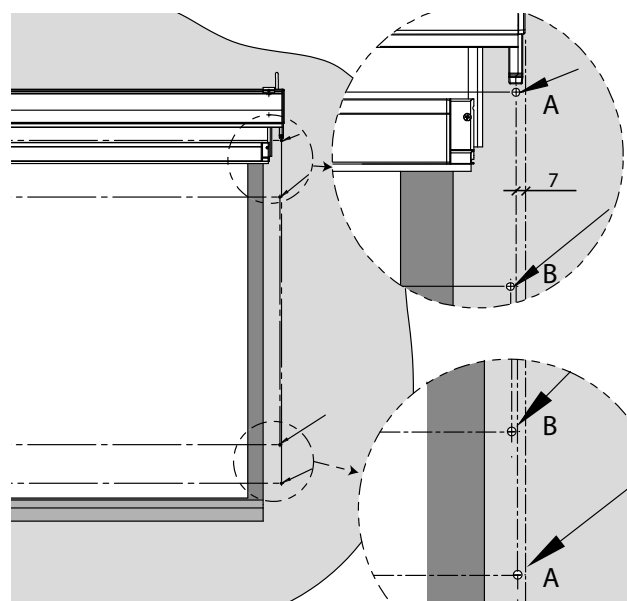
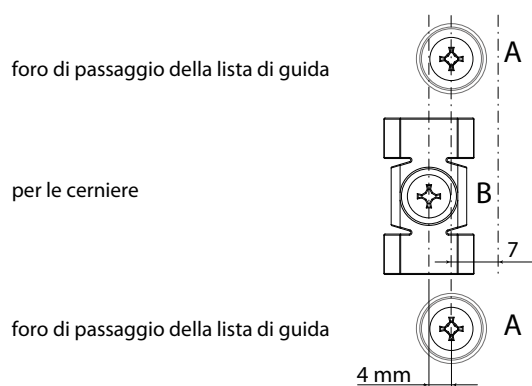
1. Inserire il box sopra nelle travi di montaggio.
2. Inserite dentro il cavo di alimentazione del motore. Poi spingere il box nelle travi così che le calette dalla parte posteriore del box si incastrino nei L-profili.
3. Dopo avvitate le viti con esagono interno di ogni trave. Le viti dovrebbero attaccare nelle calette della parte superiore della fronte del box.



Passo 3: Foratura per le liste di guida

Evidenziare i fori da trapanare alla parete o un'altra area di montaggio A tale scopo usare le liste di guida laterali pretrapanate. Trapanare i fori alla parete (\varnothing 6 mm) o al telaio della finestra (\varnothing 3.2 mm).

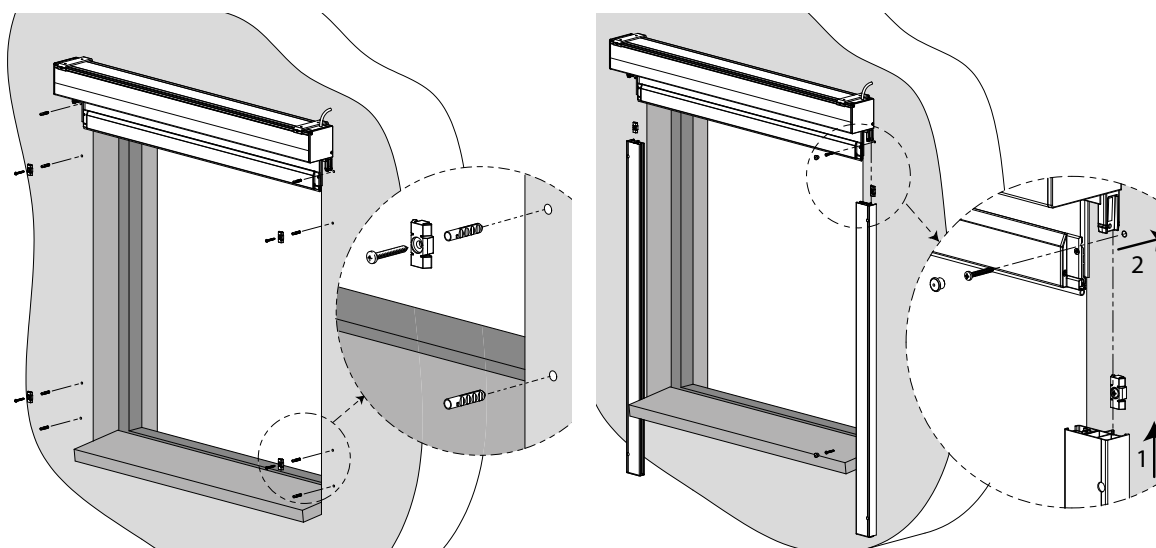
Nell'installazione alla parete bisogna inserire nei fori i tasselli S6.



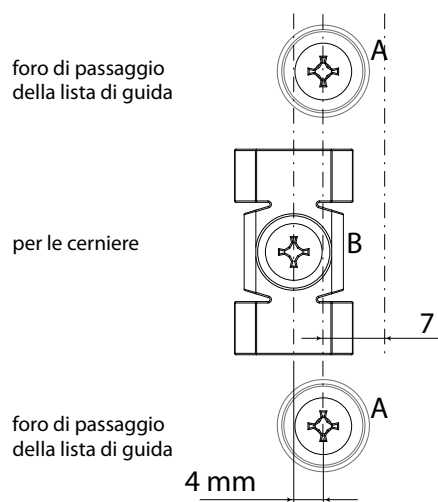
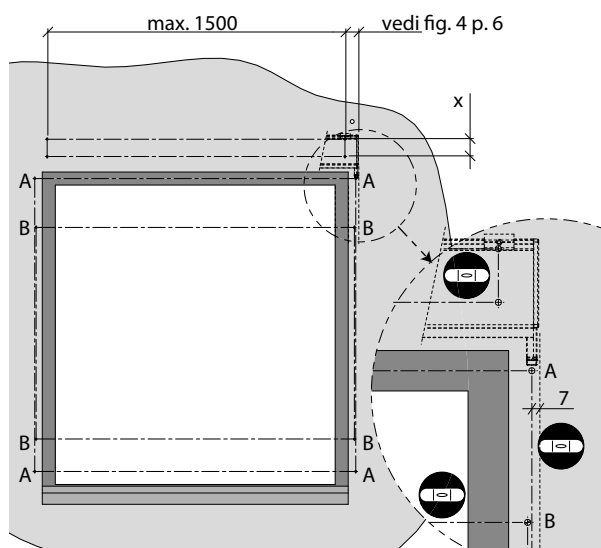
Passo 4: Installazione delle liste di guida

1. Attaccare le cerniere all'area di montaggio. Dopo inserire le liste di guida ai perni delle consolle laterali. Verificare se i blocchi scorrevoli della lamella inferiore si siano inseriti bene nelle calette e se lo zip del tessuto si sia inserito nella parte da forma U nel profilo di guida in plastica.

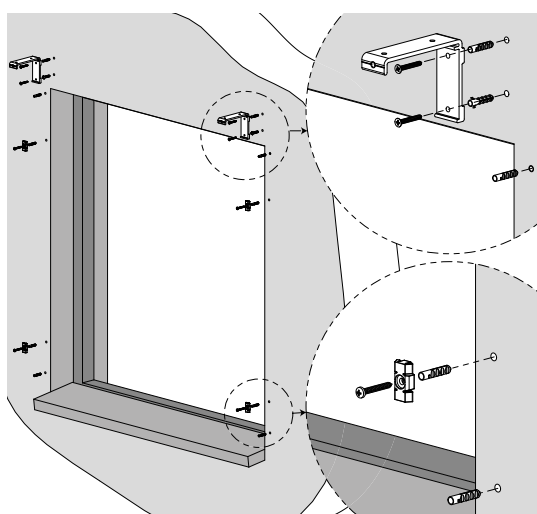
2. Avvitare le liste di guida all'area di montaggio.



METODO 2: Sistemazione del set completo del box e delle liste di guida nel vano della finestra o sopra ad esso e fissaggio con le viti.



Tipo del box	X
70	37
90	53
110	73
150	114



Passo 1: Foratura per le travi di montaggio e le liste di guida

Evidenziare alla parete o a un'altra area di montaggio i fori da trapanare (a tale scopo usare le liste di guida laterali pretrapanate).

(Qualora fossero consegnate, attaccare prima le travi di montaggio del box.)

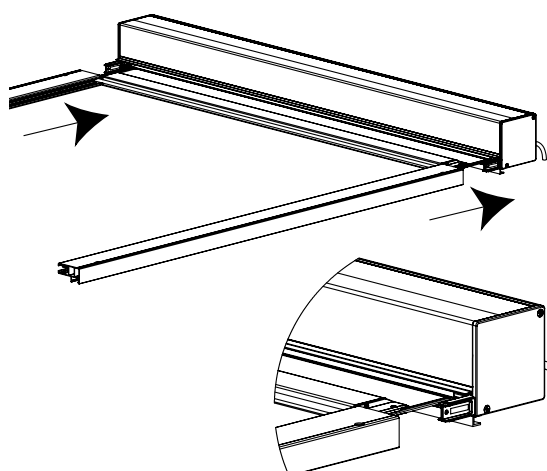
Trapanare i fori alla parete (\varnothing 6 mm) o al telaio della finestra (\varnothing 3.2 mm).

Nell'installazione alla parete inserire nei fori i tasselli S6.

Attaccare le cerniere all'area di montaggio.



livella ad acqua



Passo 2: Inserimento delle liste di guida ai perni della consolle dalla parte inferiore del box

Posare il box della tende a rullo sull'involucro in cartone (fare attenzione a non danneggiare la superficie).

Dopo inserire le liste di guida pretrapanate ai perni delle consolle laterali.



Verificare se i blocchi scorrevoli della lamella inferiore si siano inseriti bene nelle calette e se lo zip del tessuto sia inserito nella parte in forma U nel profilo di guida in plastica.

Passo 3: Collocamento del box e delle liste di guida

Ora sollevare il box con le liste di guida. Ciò va fatto con almeno altre due persone. Sollevare il box insieme con le liste di guida.

Collocare il set completo nel vano della finestra.

Nel caso del comando motorizzato, inserire dentro il cavo di alimentazione del motore attraverso l'isolatore passante pretrapanato.



Attenzione! Fare attenzione a non rompere i perni, muovendo le liste di guida troppo in avanti, dietro o a lato.

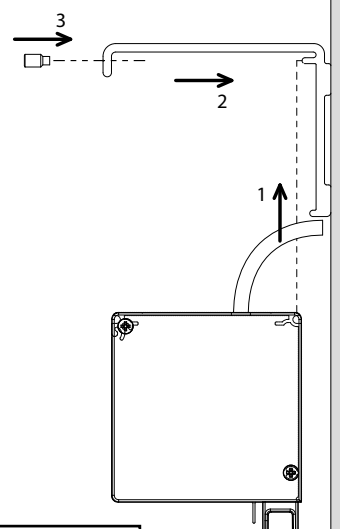
Passo 4: Attacco del box alle travi di montaggio e avvitarimento delle liste di guida

Inserire il box alle travi di montaggio.

Inserire dentro il cavo del motore. Poi premere il box nelle travi così che le calette dalla parte posteriore del box si incastrino nei L-profili.

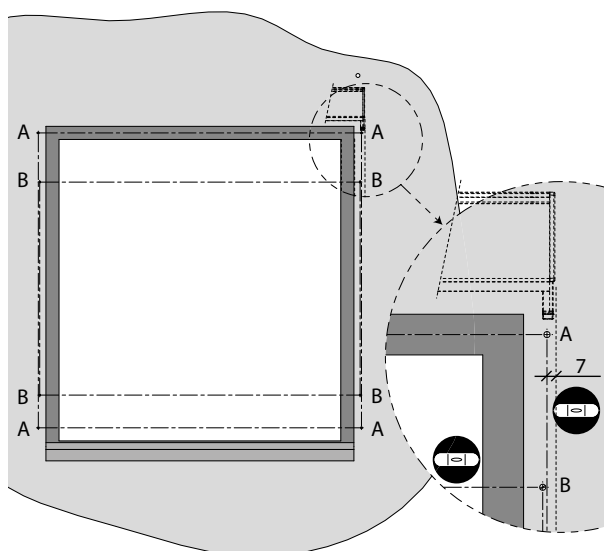
Poi avvitare le viti con esagono interno di ogni trave. Le viti dovrebbero attaccare nelle calette della parte superiore della fronte del box.

Avvitare le liste di guida all'area di montaggio.



Verificare sempre se il box sia ben attaccato.

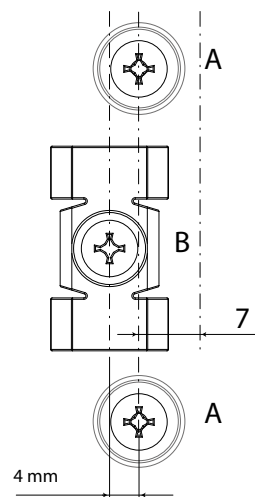
METODO 3: Avvitamento delle liste di guida, inserimento del box nelle liste di guida (soltanto per le tende a rullo senza le travi di montaggio)

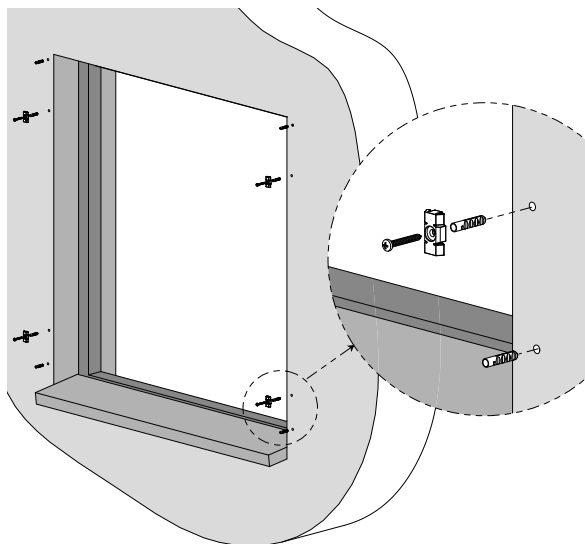


foro di passaggio della lista di guida

per le cerniere

foro di passaggio della lista di guida





Passo 1: Foratura e attacco delle cerniere

Alla parete o a un'altra area di montaggio evidenziare i fori da trapanare (a tale scopo usare le liste di guida laterali pretrapanate).

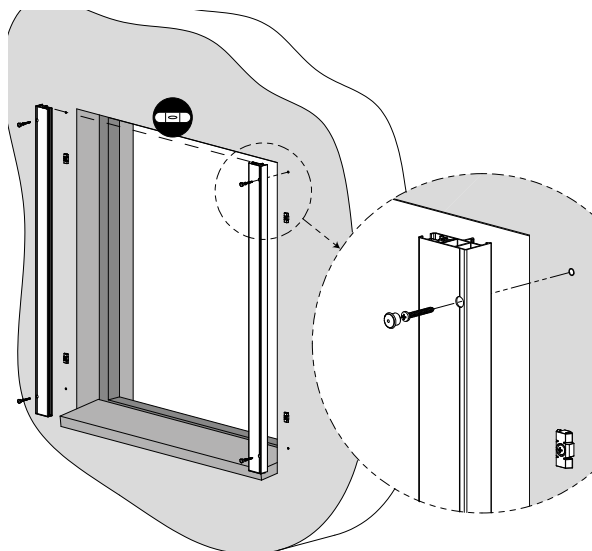
Trapanare i fori alla parete (\varnothing 6 mm) o al telaio della finestra (\varnothing 3.2 mm), a distanze massime di 500 mm.

Durante l'installazione alla parete, inserire nei fori i tasselli S6.

Attaccare le cerniere all'area di montaggio.

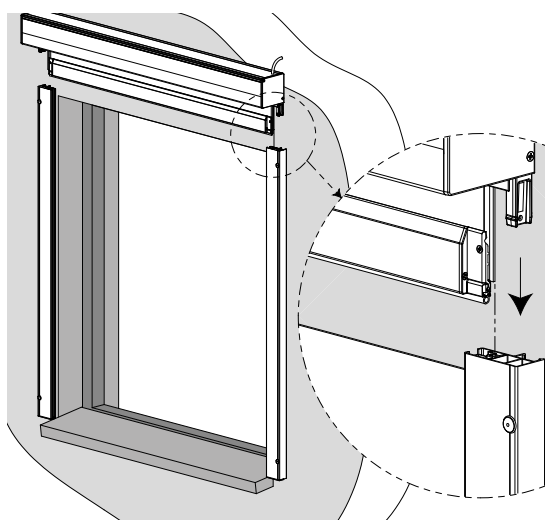


livella ad acqua



Passo 2: Montaggio di liste di guida

Avvitare le liste di guida all'area di montaggio. Assicurare che la parte superiore di tutte le liste di guida sia collocata precisamente alla stessa altezza e che sia orizzontale.



Passo 3: Inserimento del box nelle liste di guida

Sollevarre il box e inserire dentro il cavo del motore.

Inserire il box così che i perni della consolle si incastrino negli appositi fori delle liste di guida laterali.

Verificare se i blocchi scorrevoli della lamella inferiore si siano ben inseriti nelle calette e se lo zip del tessuto si sia inserito nella parte in forma U del profilo di guida in plastica.

Dopo aver installato le tende, è necessario dal lato rimuovere il fermacavo.



Verificare sempre se il box sia ben attaccato.

SCREEN HR8-ZIP SOLAR

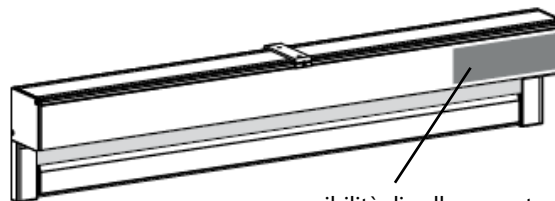
La tende a rullo screen con alimentazione solare esterna è un esempio di tende a rullo unica e pienamente automatizzata che

è comandata senza fili e ha consumo zero dell'energia elettrica. Questa tende a rullo funziona sul principio del cosiddetto fenomeno fotovoltaico – cioè trasformazione dei raggi solari in energia elettrica. Si tratta di una soluzione di propulsione per le tende a rullo ecologica e la più economica dal punto di vista energetico. La propulsione è alimentata da una batteria di lunga durata, caricata dal pannello solare che funge in ogni situazione climatica.

Area massima 7,5 m². Un'unità solare è adattata a una sola tende a rullo screen.

Parametri di questo prodotto:

- box soltanto quadrato
- tubo Ø 55 mm
- dimensioni: vedi pagina 72
- standard - batteria interna soltanto per il box 150
- facoltativo - uso della batteria esterna per il box 90 e 110
- pannello solare è sempre dalla parte del motore
- montaggio di tipo B-BE (in spalletta) non è possibile
- possibilità di più tende a rullo in un box comune, a condizione che ogni tende a rullo sia dotata del proprio motore e della propria batteria esterna.



possibilità di collocamento del pannello solare

Composizione del set solare:

- *Motore
- Pannello solare Oximo WireFree resin 3,2 W
- Batteria Oximo WireFree, NiMH 12V, 2,2 Ah
- Cavo per l'adattatore Oximo WireFree Wiring Harness

* Motore

denominazione Item	denominazione commerciale	numero del disegno
SOLAR KIT „SUNEA 40 io“ 6/18	X.1241890	6-018887-0006
SOLAR KIT „SUNEA 40 io“ 10/12	X.1241891	6-018887-0010
SOLAR KIT „SUNEA 40“ 6/18 RTS DC	X.1241478	6-017545-0006
SOLAR KIT „SUNEA 40“ 10/12 RTS DC	X.1241479	6-017545-0010

Batteria Oximo WireFree

- Batteria Tipo NiMH
- Dimensioni 420mm x Ø 25 mm
- Classe di protezione IPx4
- Durata di caricamento max. 3,5 ore

Pannello solare Oximo WireFree

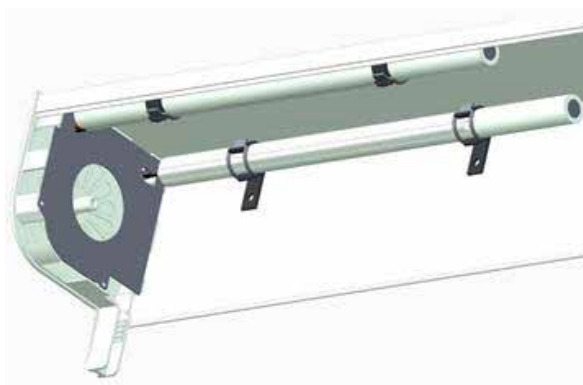
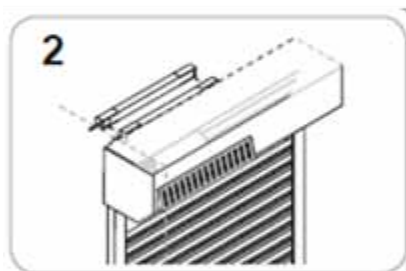
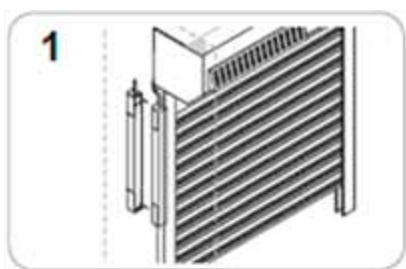
- materiale stratificato nero, fibra di vetro, con resina trasparente epossida con tecnologia fotovoltaica
- potenza assorbita 3,2 W
- dimensioni 470 x 60 x 6 mm
- classe di protezione X4 (cellule sensibili alla luce: IP67)
- fornisce energia anche a cielo coperto

Montaggio dell'alimentazione solare:

La batteria può essere installata in una stanza ma può essere anche sistemata da fuori nel box di avvolgimento, ma così che non sia esposta alla diretta azione dell'ambiente esterno; la batteria non dovrebbe essere esposta alla pioggia e ai raggi solari diretti.

La temperatura di lavoro è da -20°C a + 70°C. Classe di protezione IP e X4, il che significa che il prodotto è protetto contro gli spruzzi d'acqua da tutte le angolazioni.

La batteria Oximo WireFree TM deve essere installata così che sia protetta contro le condizioni atmosferiche. Ad esempio, può essere attaccata dietro la lista di guida della tende a rullo (1), dietro il box della tende a rullo o dalla parte inferiore del box (2), dentro il box della tende a rullo (3), sotto il telaio della finestra o nell'angolo della parete interna - il punto adeguato va scelto secondo la posizione, la costruzione e il tipo della tende a rullo. Attenzione! La batteria deve rimanere accessibile a qualunque posizione della tende a rullo, affinché sia sempre accessibile il tasto PROG, affinché sia possibile fare la sua manutenzione, eventualmente il caricamento tramite il caricatore esterno o la sua sostituzione. Non chiudere la batteria in un involucro non traspirante. Se la batteria sarà installata in una posizione diversa da orizzontale, poi l'uscita del cavo di alimentazione deve sempre essere orientata verso l'alto.



Esempio della collocazione della batteria dentro il box.

La batteria è presente nella confezione solo per la taglia 150. Per le scatole più piccole, la batteria si trova all'esterno della scatola.

SCREEN HR10-ZIP

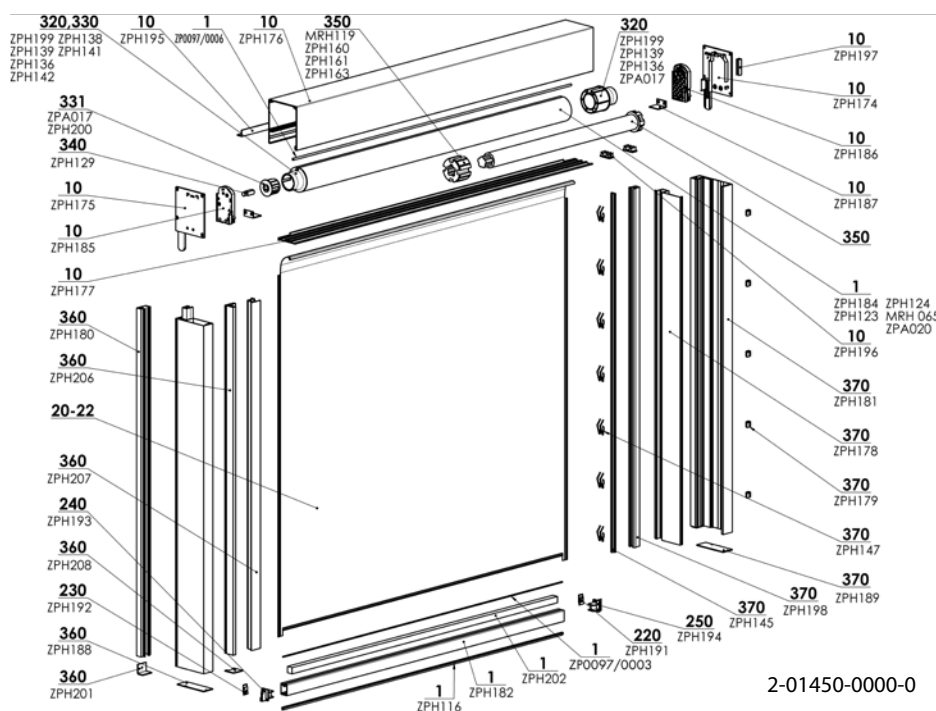


- ▲ Box integrato al muro davanti alla finestra,
- ▲ niente perforazioni del rivestimento dell'edificio,
- ▲ lista inferiore pienamente integrata in posizione chiusa,
- ▲ adatto per le case a bassa energia e passive,
- ▲ Classe resistenza al vento 3.

ISOTRA *Quality*

SCREEN HR10-ZIP

Specificazione base del prodotto



Comando

Tende a Rullo screen HR10-ZIP si può comandare soltanto a propulsione elettrica.

Motore – può essere collocato a sinistra o a destra. Scelto il lato della propulsione è possibile scegliere se il cavo passerà lungo la lista di guida laterale o attraverso il foro che verrà trapanato nella parte superiore o posteriore del profilo del box. E' possibile scegliere il motore Altus RTS, Sunea 50 iO, Maestria +50 iO/WT, LT 06Nm, Sunea io 06Nm e Becker C/E, Geiger AIR Isotra Basic.

Specificazione

	Box	Profilo inferiore	Guida laterale		Lista di guida
			Vodici lista		
Dimensioni (mm)	122x140	X36	122x40	38x40	20x40
Materiale	Al	Al	Al	Al	Al
Colore	Standard: RAL 9006 alluminio brillante RAL 9007 alluminio grigiastro RAL 9010 bianco puro		RAL 7016 grigio antracite RAL 7016 grigio antracite struttura RAL 8014 marrone seppia altri colori RAL su richiesta*		

*eccetto i pezzi in plastica

Dimensioni standard

Comando	Larghezza (mm)		Altezza (mm)		Area garantita (m ²)
	min.	max.	min.	max.	
motore LT 06Nm, Sunea io 06Nm	655	815	501	4500	5
motore Becker E08, C08	655	815	501	4500	5
motore	815	4500	501	4500	14

Tessuti di tipo Blackout:

In ogni tipo di montaggio, lo strato non trasparente viene collocato dalla parte della finestra. Nel caso del montaggio da fuori, un forte vento può causare un leggero sollevamento della lista inferiore e del tessuto, e perciò non è sempre possibile garantire l'oscuramento al 100%. Nel caso dei tessuti Blackout, gli zip sono sempre attaccati dalla parte della vista, e non sullo strato non trasparente, e perciò possibile che con un forte vento o uno sguardo traverso sulla lista di guida si vedrà un pezzo di tessuto del nastro dello zip, ma ciò ha soltanto una piccola importanza in confronto alla vista o la tenuta del tessuto (riduzione dell'ondulazione).

Fenomeni comuni di tessuti tecnici

Un'increspatura del tessuto può apparire intorno alle saldature o nel centro del tessuto perché durante l'uso agiscono sul tessuto varie forze e perciò tale fenomeno è comune. Ne fa parte anche il cosiddetto "effetto da abete" quando il tessuto è increspato nella zona di cuciture. Dei visibili segni di pressione da parte del cilindro sul tessuto spariscono con temperature superiori, quando il tessuto si ripiana.

La lista inferiore non arriva fino al box.

SCREEN HR10-ZIP (2-01450-0000)

posizione	denominazione item	Denominazione commerciale	numero del disegno
1	Profilo inferiore - HR10-ZIP	ZPH182	6-015158-0000
1	Cilindro d'avvolgimento HR10-ZIP Al Ø 78x1,25mm - 4,5m	ZPH184	6-015160-0000
1	Cilindro d'avvolgimento HR10-ZIP Al Ø 55mm - 6m	ZPH123	6-014027-0000
1	Cilindro d'avvolgimento HR7/HR8-ZIP Al Ø 67mm - 6m	ZPH124	6-013982-0000
1	Cilindro di avvolgimento diam. 85x1,20mm-6m	ZPA020	6-016860-0000
1	Asta in plastica 6,0 mm PVC	ZP0097/0006	6-016911-0006
1	Guarnizione della lista inferiore	ZPH116	6-013974-0000
1	Profilo del carico della lista inferiore 20x20mm - Fe/Zn	ZPH202	6-015193-0000
1	Asta in plastica 3,0 mm PVC	ZP0097/0003	6-016911-0003
10	Sponda - sinistra	ZPH175	6-015131-0000
10	Sponda - destra	ZPH174	6-015130-0000
10	Profilo BOX	ZPH176	6-015152-0000
10	Profilo BOX - inferiore	ZPH177	6-015153-0000
10	Modulo scorrevole per la sponda - sinistro - nero	ZPH185	6-015161-9004
10	Profilo angolare Al - 20 x 20 x 2 mm*	ZPH195	6-015179-0000
10	Modulo scorrevole per la sponda - destro - nero	ZPH186	6-015162-9004
10	Piastra di fondazione da montaggio	ZPH187	6-015163-0000
10	Profilo autoadesivo 1800 mm	ZPH197	6-015184-0000
10	Supporto del cavo - autoadesivo	ZPH196	6-015183-0000
20 - 22	Tessuto diviso per screen		vedi il campionario SCREEN
220	Sicura del terminale della lista inferiore - DESTRA NERA	ZPH191	6-015175-9004
230	Sicura del terminale della lista inferiore - SINISTRA NERA	ZPH192	6-015176-9004
240	Terminale della lista inferiore - SINISTRO - NERO	ZPH193	6-015177-9004
250	Terminale della lista inferiore - DESTRO - NERO	ZPH194	6-015178-9004
320	Tappo del cilindro Ø 78mm	ZPH199	6-015188-0000
320	Tappo del cilindro Ø 67mm	ZPH139	6-013984-0000
320	Tappo del cilindro Ø 55mm	ZPH136	6-014238-0000
320	Tappo del cilindro Ø 67mm con foro quadrangolare 12	ZPH141	6-013983-0000
320	Terminale dell'albero diam. 85mm - di passaggio	ZPA008/1	3-04003-9004
320	Tappo del cilindro Ø 55mm con foro quadrangolare 12	ZPH138	6-014243-0000
331	Inserto del terminale dell'albero - diam. 50mm	ZPA017	3-03486-9004
331	Estensione del tappo del cilindro diam. 78mm	ZPH200	6-015189-0000
340	Cavicchio del tappo del cilindro - 12mm Fe/Zn	ZPH129	6-013985-0000
350	Motori (SOMFY, BECKER) SCREEN		vedi Motori, pagina 105
350	Trascinatore LT60 HI - PER Ø 78mm	MRH 119	6-013868-0000
350	Trascinatore LT50 HI - Ø 65mm	ZPH160	6-013980-0000
350	Trascinatore LT50 HI - Ø 85mm	ZPH161	6-014326-0000
350	Trascinatore LS40 - Ø 50mm	ZPH163	6-014328-0000
360	Guida - lista HR10-ZIP - sinistra		2-01452-PU11L
360	Click-profil per lista di guida - HR10-ZIP**	ZPH180	6-015156-0000
360	Terminale per Click profil HR10-ZIP	ZPH201	6-015190-0000
360	Terminale lista di guida 1120 - HR10-ZIP - SINISTO	ZPH188	6-015171-0000
360	Profilo lista di guida 1040 per HR10-ZIP	ZPH206	6-015203-0000
360	Profilo della lista di guida 1040 parte anteriore	ZPH207	6-015204-0000
360	Terminale lista di guida 1040 - HR10-ZIP - SINISTRO / DESTRO	ZPH208	6-015205-0000
370	Guida - lista HR10-ZIP - destra		2-01452-PU11P
370	Profilo della lista di guida 1120 chiusura	ZPH178	6-015154-0000
370	Morsetto per il coperchio del box - nero	ZPH179	6-015155-9004
370	Profilo della lista di guida 1120 chiusura	ZPH181	6-015157-0000
370	Molla della lista di guida ZIP	ZPH147/1	7-303662-0000
370	Profilo di guida per zip	ZPH145	6-014155-0000
370	Terminale lista di guida 1120 - destro	ZPH189	6-015172-0000
370	Profilo - supporto lista di guida per zip - nero	ZPH198	6-015185-0000

*Per le guide tipo 1120 e 1040, il BOX viene fornito senza squadra.

**Per le guide tipo 1120 con clip-profilo e 1040 con clip-profilo, il BOX viene fornito con squadra.

MOTORI SCREEN HR10-ZIP (2-01450-0000)

posizione	denominazione item	Denominazione commerciale	numero del disegno
101	Motore ALTUS 50 RTS 10/17	MR 091/10	6-011170-0010
102	Motore ALTUS 50 RTS 15/17	MR 091/15	6-011170-0015
103	Motore ALTUS 50 RTS 20/17	MR 091/20	6-011170-0020
201	Motore Sunea 50 Screen io 10/17	ZP0085	6-012559-1017
202	Motore Sunea 50 Screen io 15/17	ZP0086	6-012559-1517
203	Motore Sunea 50 Screen io 20/17	ZP0092/20	6-012559-2017
301	Motore MAESTRIA +50 IO 10/17 VVF5M	ZP0085/1	6-012538-1017
302	Motore MAESTRIA +50 IO 15/17 VVF5M	ZP0086/1	6-012538-1517
303	Motore MAESTRIA +50 IO 25/17 VVF5M	ZP0087/1	6-012538-2517
401	Motore MAESTRIA +50 WT 10/17 VVF3M	ZP0093/10	6-015258-1017
402	Motore MAESTRIA +50 WT 15/17 VVF3M	ZP0093/15	6-015258-1517
403	Motore MAESTRIA +50 WT 25/17 VVF3M	ZP0093/25	6-015258-2517
501	Motore LS 40 9/16	PR0125	6-002624-0009
601	Motore Sunea 40 Screen io 09/16 5m	ZP0091/16	6-014483-0009

Motori (Becker) Screen ALFA-ZIP (6-015258 / 6-012538 / 6-002624 / 6-014483)

posizione	denominazione item	Denominazione commerciale	numero del disegno
500	Motore BECKER 50 E 08/17	X.2010/1301590	6-017861-0008
500	Motore BECKER 50 E 12/17	X.2010/1301600	6-017861-0012
500	Motore BECKER 50 E 20/17	X.2010/1301450	6-017861-0020
500	Motore BECKER 50 Screen C 08/17PLUS	X.2010/1302170	6-018761-0008
500	Motore BECKER 50 Screen C 12/17PLUS	X.2010/1302180	6-018761-0012
500	Motore BECKER 50 Screen C 20/17PLUS	X.2020/1301860	6-018761-0020

* Nota: E = elettronico motore / C = radio motore

Motori (ISOTRA BASIC) Screen HR10 - ZIP - BOX 110

posizione	denominazione item	Denominazione commerciale	numero del disegno
600	Motore ISOTRA BASIC, 10Nm/17, con ricevitore integrato, SC zip	X.AM45 10/17S	6-019173-0010
600	Moteur ISOTRA BASIC, 15Nm/17, con ricevitore integrato, SC zip	X.AM45 15/17S	6-019173-0015
600	Moteur ISOTRA BASIC, 20Nm/17, con ricevitore integrato, SC zip	X.AM45 20/17S	6-019173-0020

Motori (Geiger) Screen HR10 - ZIP - BOX 110 (2-00530-0002)

posizione	denominazione item	Denominazione commerciale	numero del disegno
10	Motore Geiger Solid Line ZIP AIR 6/16	PR0790/06	6-015903-0006
11	Motore Geiger Solid Line ZIP AIR 10/16	PR0790/10	6-015903-0010
12	Motore Geiger Solid Line ZIP AIR 20/16	PR0790/20	6-015903-0020
70	Trascinatore SOLID LINE AIR - Diam. 95	ZPA015/95	6-015904-0095
70	Trascinatore SOLID LINE AIR - Diam. 78	ZPA015/78	6-015904-0078
70	Trascinatore SOLID LINE AIR - Diam. 85	ZPA015/85	6-015904-0085
200	Gommino passantel del cavo DI GOMMA diam.7	ZPH150	6-014339-0000
320	Vite 4,8x19 DIN 7982 C-H A2 testa accecata cardanica		6-013928-0000
330	Collare di cavo 300x4,8-NERO	ZPH168	6-014438-0000
340	Vite 3,5x19 DIN 7982 C-H A2 testa accecata cardanica		6-014439-0000
350	Vite M6x10 DIN 965-H, A2, accecata-cardanica		6-014497-0000
400	Asse del cuscinetto piana	ZPA005	3-03484-9004
410	Asse del cuscinetto noc clip	ZPA006	3-03485-9004

Peso

Nel caso della tende a rullo incorporata dalla larghezza di 3,0 metri e dall'altezza di 1,5 metro, il peso totale è di cca 34,5 kg.

Il peso del box con il cilindro d'avvolgimento in alluminio Ø 67 mm, motore e tessuto Satiné:

BOX	
LUNGHEZZA	PESO
1,0m	±13 kg
1,5 m	±16 kg
2,0m	±20 kg
2,5 m	±23 kg
3,0m	±27 kg
3,5 m	±30 kg
4,0m	±34 kg
4,5 m	±37 kg

Il peso di due liste di guida standard 1120:

2 LISTE DI GUIDA	
LUNGHEZZA	PESO
0,5 m	±2,5 kg
1,0 m	±5 kg
1,5 m	±7,5 kg
2,0 m	±10 kg
2,5 m	±12,5 kg
3,0 m	±15 kg
3,5 m	±17,5 kg
4,0 m	±20 kg
4,5 m	±22,5 kg

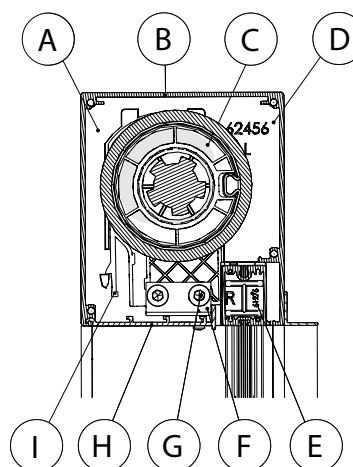
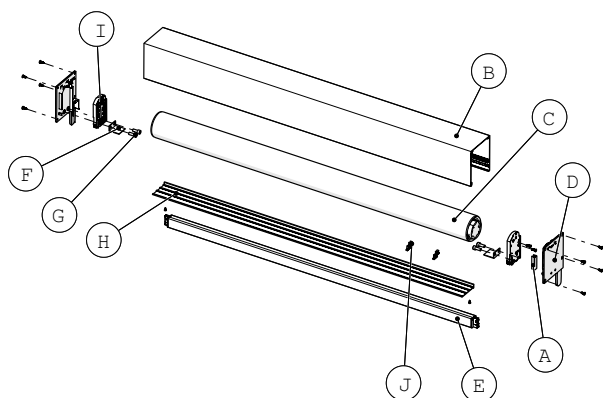
Specificazione tecnica

BOX per Screen HR10-ZIP (2-01451-PU11)

Il telaio esterno del box della tende a rullo consiste di due parti in alluminio estruso: profilo del box dalla forma U (B) e profilo inferiore del box (H). I lati sono chiusi con le sponde (D), nelle quali può essere inserito, tramite i moduli scorrevoli (I), il cilindro d'avvolgimento con il tessuto (C). Le piastre di fondazione da montaggio (F), insieme con i moduli scorrevoli vengono attaccate nelle sponde tramite le viti (G). Dopo, le parti laterali del profilo inferiore del box possono essere avvitate a queste piastre di fondazione da montaggio.

Il cavo del motore attraversa l'isolatore passante (A) nella sponda ed è attaccato dal supporto del cavo (J) sul profilo inferiore del box.

Per la tende a rullo screen da facciata HR10-ZIP è disponibile soltanto un tipo di box, le cui dimensioni nella sezione sono di 122 mm x 140 mm.



- | | | | |
|---------------------------------|--|---------------------------|-----------------------|
| (A) isolatore passante del cavo | (D) sponde | (G) viti M8x18 | (I) modulo scorrevole |
| (B) profilo box | (E) profilo inferiore | (H) profilo box inferiore | (J) supporto del cavo |
| (C) cilindro d'avvolgimento | (F) piastra di fondazione da montaggio | | |



Assicuratevi che sia sempre possibile aprire la piastra di fondazione del box e il profilo della lista di guida appeso (vedi il capitolo Liste di guida), il che permetterà un continuo accesso alle parti meccaniche. Nel caso dell'inosservanza di questa regola, la società ISOTRA non sarà responsabile per le spese legate ai lavori di demolizione, del dipingere o della tappezzeria!

NB: Se il box viene installato in senso opposto, dovrebbe essere possibile aprire la finestra in direzione dentro. Se avviene un guasto con la tende a rullo tirata giù, il box deve essere accessibile da dentro.

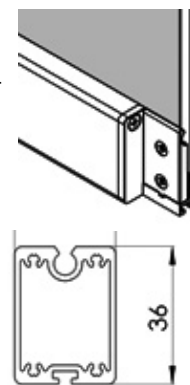
Profilo inferiore (6-015158-0000)

Il profilo inferiore si compone di un blocco scorrevole di due parti (sinistra e destra) e del profilo in alluminio estruso con verniciatura in polvere.

Il profilo contiene:

- Caletta per attacco senza viti del tessuto, attraverso l'asta $\varnothing 3$ mm
- Camera per il nastro irrigiditore
- Caletta dalla parte inferiore per l'inserimento dell'arresto di gomma (è anche possibile sostituirlo con una spazzola)

Il blocco scorrevole di due parti permette un corretto distendimento del tessuto.

**Cilindro d'avvolgimento**

In dipendenza dalla larghezza e dal tipo del tessuto è possibile usare o il cilindro d'avvolgimento $\varnothing 55$ mm in alluminio estruso o il cilindro $\varnothing 78$ mm in lamiera di acciaio zincato (vedi la tabella).

I cilindri d'avvolgimento comprendono una caletta per l'attacco del tessuto tramite l'asta $\varnothing 4$ mm per il cilindro $\varnothing 55$ mm o l'asta $\varnothing 6$ mm per i cilindri $\varnothing 78$ mm.

Da ambedue le parti del cilindro d'avvolgimento c'è bullone conico. Dalla parte della propulsione si tratta del bullone aperto adattato al motore.

Cilindro d'avvolgimento	$\varnothing 55$ mm*	$\varnothing 78$ mm
	6-014027-0000	6-015160-0000
Materiale	alluminio	lamiera zincata
Asta	$\varnothing 4$ mm	$\varnothing 6$ mm calettata
Larghezza totale della tende a rullo Soltis 92	655–815 mm	815–4500 mm
Satiné	655–815 mm	815–4500 mm
Blackout	655–815 mm	815–4500 mm

*Normalmente si consegna il motore LS40, Sunea 40 io o Becker $\varnothing 40$. Per la versione RTS bisogna ordinare per il motore LS40 shutter in the wall.

Sponde (6-015130-0000, 6-015131-0000)

Le sponde si compongono di due parti indipendenti:

- sponda solida (sinistra, destra)
- modulo scorrevole per la sponda (sinistro, destro)

Sponda sinistra/destra (6-015130-0000/6-015131-0000)

Dimensioni: 122 x 140 mm

Le sponde in alluminio hanno un perno integrato che si inserisce nel profilo inferiore della lista di guida. Dentro ci sono calette verticali; in una di esse si inserisce la lamella inferiore, nell'altra poi il modulo scorrevole, il quale va chiuso a scatto.

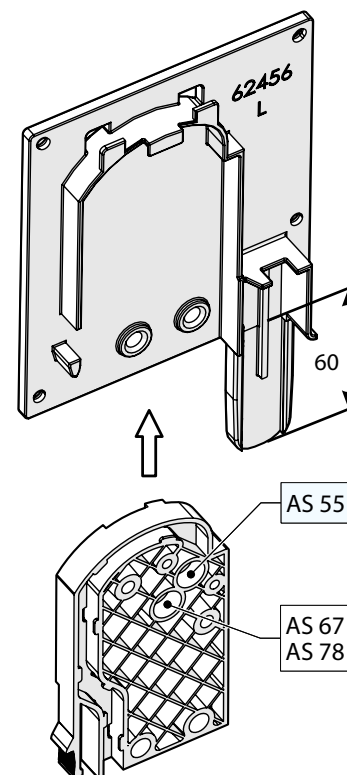
Modulo scorrevole per la sponda sinistro/destro nero

(6-015161-9004/6-015162-9004)

Dimensioni: 66,5 x 115 mm

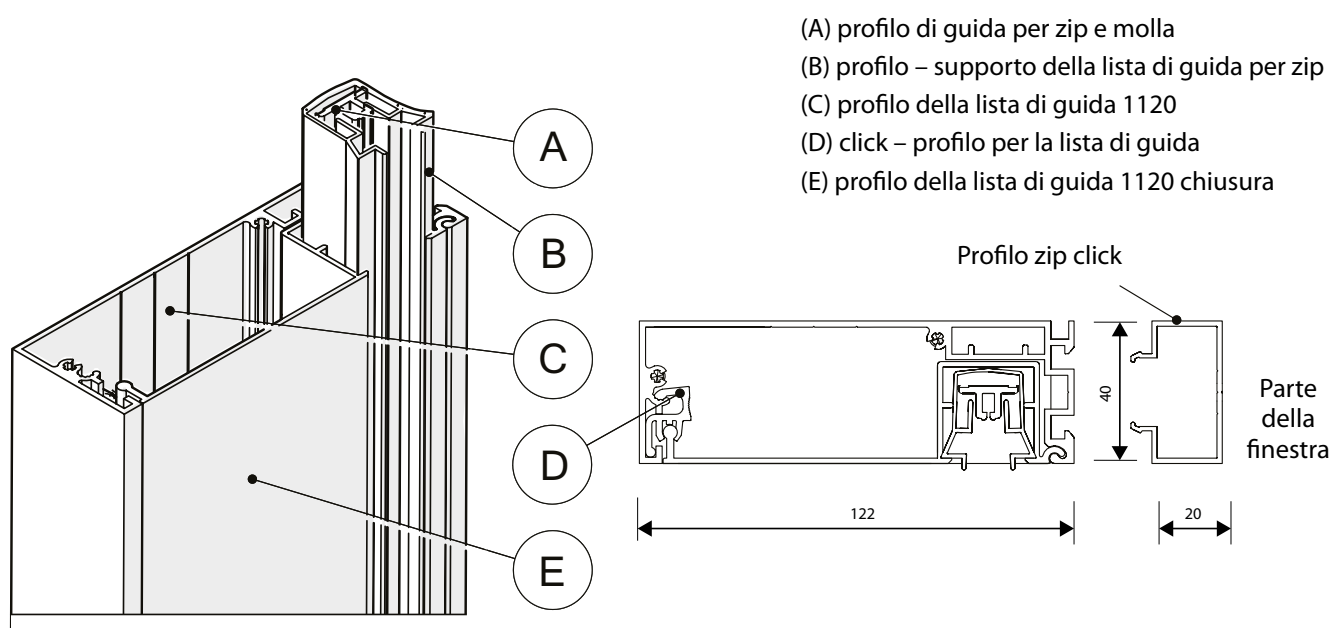
I moduli scorrevoli sono prodotti di poliammide indurito dalla fibra di vetro. Contengono alcuni fori per l'attacco del motore dalla parte della propulsione e un foro per il bindolo dalla parte opposta. Per ogni diametro del bindolo devono essere usati gli stessi fori. Premuto il perno da scatto, il modulo scorrevole può essere estratto dalla sponda.

Sulla parte inferiore ci sono due fori per attaccare l'arresto della piastra di fondazione alle sponde.



Liste di guida

Lista di guida 1120 (6-015157)



Le complete liste di guida larghe 1120 si compongono del profilo di base (C), del profilo appeso (E) e del supporto (B) con il profilo zip (A). Sulla parte inferiore della base di ogni lista di guida c'è un terminale in alluminio. Dalla parte della finestra, il profilo appeso si appende nel profilo di base della lista di guida e dalla parte esterna, il profilo appeso si inserisce a scatto nei morsetti in plastica (D), che si trovano nel fondo (vedi la figura). Il supporto e il profilo zip si possono inserire soltanto se il profilo appeso è chiuso, perché il supporto e il profilo zip sono più lunghi di 35 mm della lista di guida e prima si collocano nel box e poi nella piantatura del profilo appeso.

Il profilo di base e quello appeso sono prodotti di alluminio estruso con verniciatura in polvere. Il supporto e il profilo zip sono prodotti di plastica.

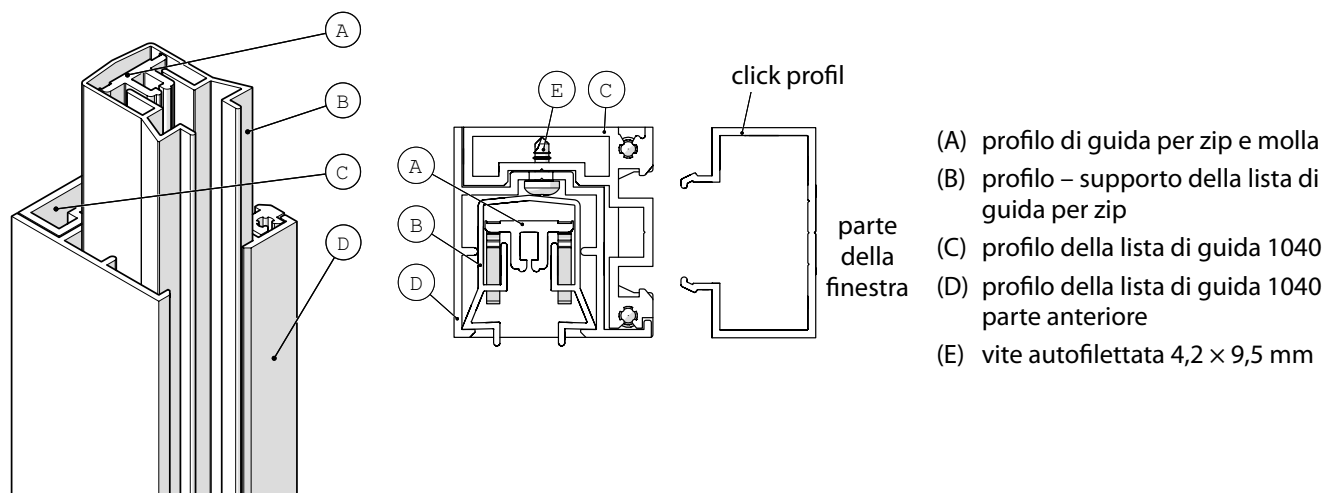
Se desiderate mettere la rete antinsetti tra la tende a rullo e la finestra, bisogna inserire, tra il box e la lista di guida, speciali profili click.

Durante il montaggio della tende a rullo HR10-ZIP bisogna prima attaccare al telaio della finestra le parti di base con dovuta precisione (vedi istruzioni per l'installazione!). Per ogni lista di guida sono disponibili viti in quantità sufficiente.

Con la scelta del profilo click, i profili a scatto sono attaccati alla parte inferiore tramite il terminale con l'uso di queste viti. Le parti fondamentali poi possono inserirsi a scatto in questi profili.

Poi il box si attacca alle liste di guida con bulloni nelle liste di guida.

Lista di guida 1040 (6-015203)



Le complete liste di guida larghe 1040 si compongono del profilo di base (C), del profilo anteriore (D) e del supporto (B) con il profilo zip (A). Sulla parte inferiore della parte fondamentale di ogni lista di guida c'è un terminale in alluminio. Il profilo anteriore si attacca al profilo di base della lista di guida attraverso la vite autofilettata (vedi la figura 7b). Il supporto e il profilo zip si possono inserire soltanto se il profilo anteriore è attaccato, perché il supporto e il profilo zip sono più lunghi di 35 mm della lista di guida.

Il profilo di base e quello anteriore sono prodotti di alluminio estruso con verniciatura in polvere. Il supporto e il profilo zip sono prodotti di plastica.

Se desiderate mettere la rete antinsetti tra la tende a rullo e la finestra, bisogna inserire tra il box e la lista di guida speciali profili click.

Durante il montaggio della tende a rullo HR10-ZIP bisogna prima attaccare al telaio le parti di base con dovuta precisione (vedi le istruzioni per l'installazione!). Per ogni lista di guida sono disponibili le viti in numero sufficiente.

Con il profilo click, i profili da scatto sono attaccati alla parte inferiore tramite il terminale con l'uso di queste viti. I pezzi di base poi possono scattare in questi profili.

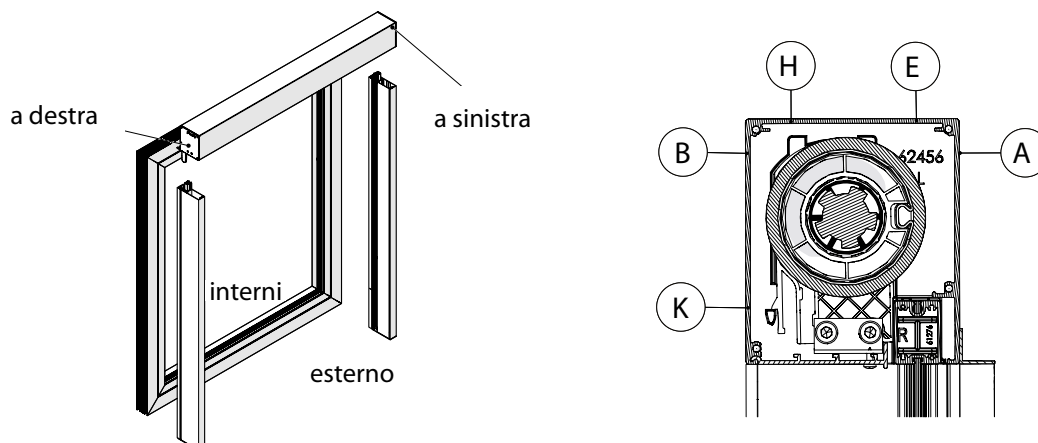
Poi si attacca il box della tende a rullo alle liste di guida con bulloni nelle liste di guida.

Comando

La tende a rullo screen da facciata HR10-ZIP è sempre descritta dalla vista interna (INTERNI).

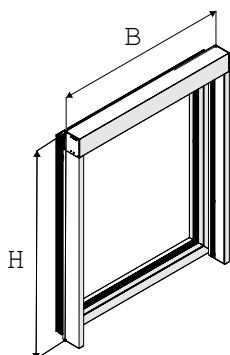
La tende a rullo HR10-ZIP ha sempre propulsione elettrica, che può essere collocata a sinistra o a destra. Scelto il lato della propulsione, è possibile scegliere, se il cavo passerà lungo la lista di guida laterale, o attraverso il foro che si trapanerà nella parte superiore o posteriore del profilo del box (vedi la figura 6).

La corsa dei motori è di cca 4 minuti, poi i motori passano al modo di protezione termica (vedi il manuale del motore).



SCREEN HR10-ZIP

Misurazione



Si indicano le seguenti dimensioni:

B – larghezza

H – altezza

La larghezza finale è uguale alla larghezza del box, il che corrisponde anche alla lunghezza tra i bordi esterni della lista di guida sinistra e destra. La larghezza indicata non è sempre uguale alla larghezza della finestra, ma dipende dalla versione della finestra (vedi la figura).

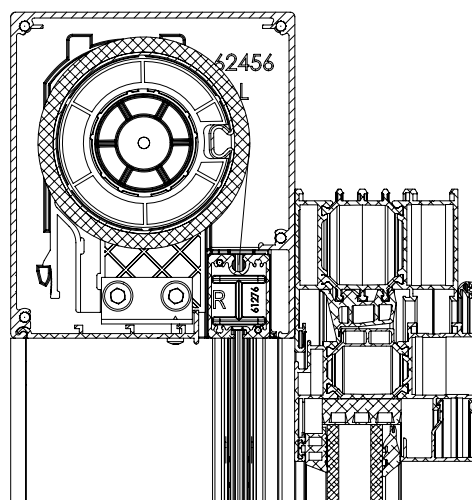
L'altezza finale H è uguale all'altezza, compresa l'altezza del box e i terminali delle liste di guida.

Ambedue le dimensioni sono indicate in mm.

Maggiori informazioni nel documento separato **Istruzioni di misurazione e montaggio**.

Montagio

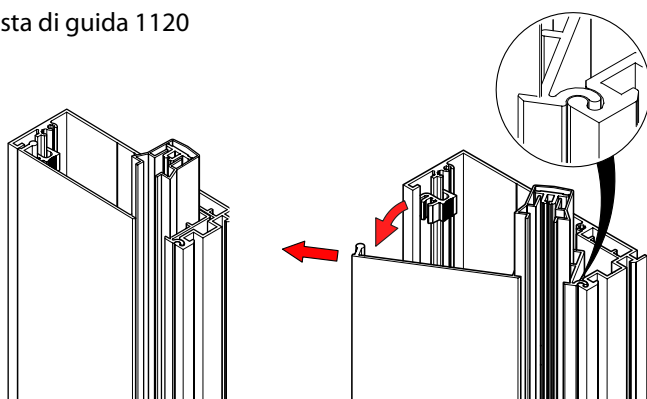
Il montaggio stesso si compone di 4 passi.



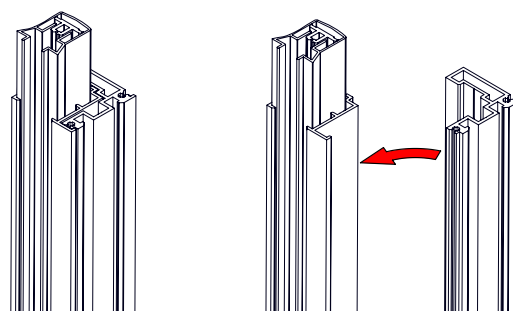
Passo 1

Le liste di guida sono consegnate già montate. La chiusura della lista di guida deve essere tolta prima che il profilo di base della lista di guida sia montato alla finestra. Il profilo di guida per zip può rimanere nella chiusura della lista di guida.

Lista di guida 1120



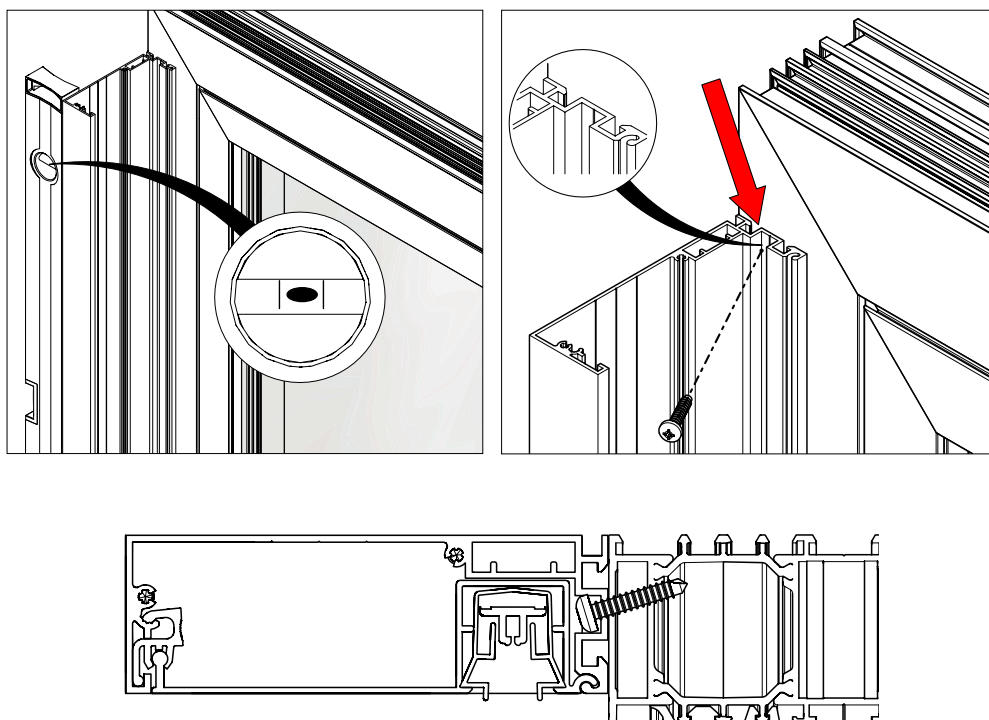
Lista di guida 1040



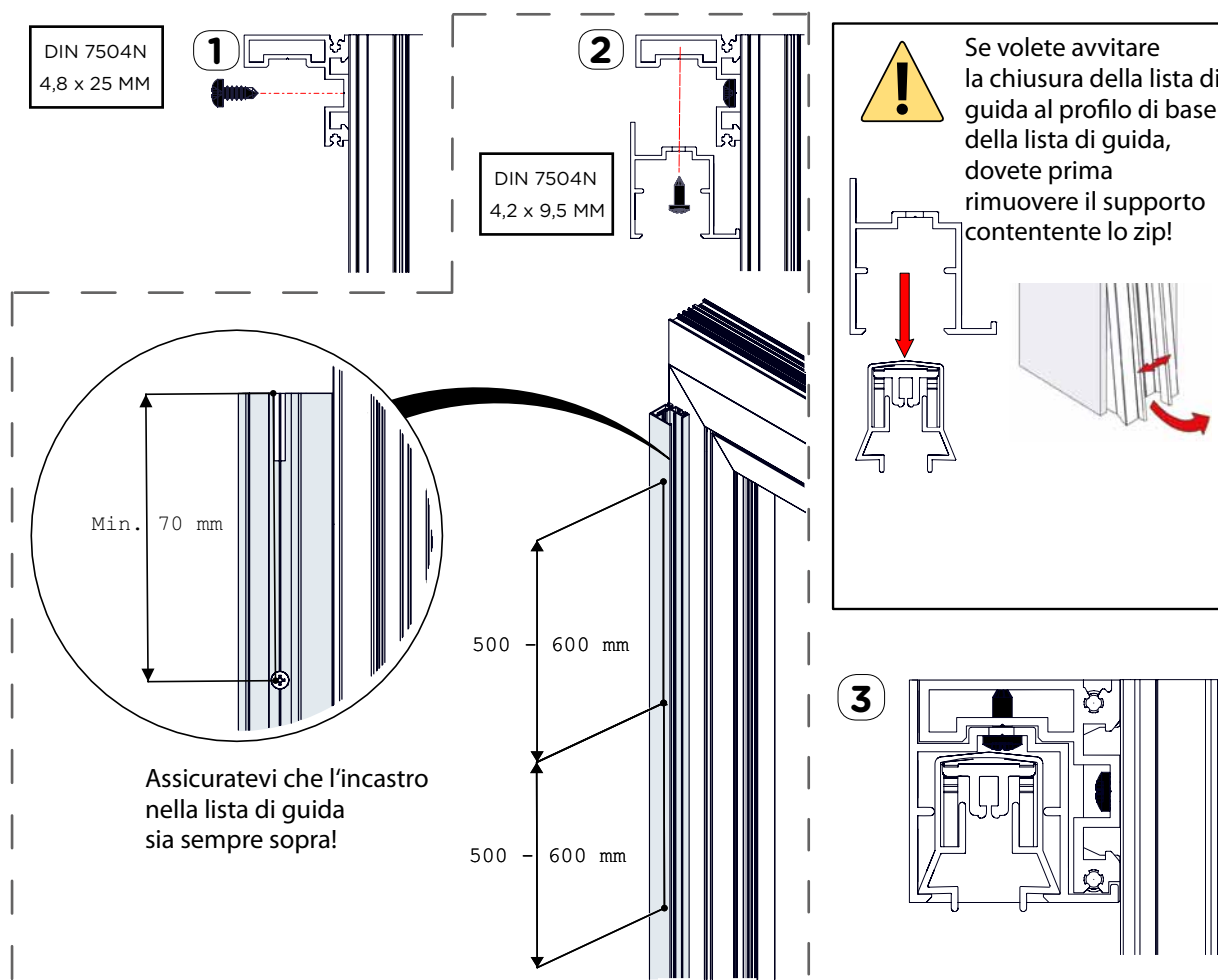
Passo 2

Montare il profilo di base della lista di guida alla finestra con aiuto delle viti consegnate.

Lista di guida 1120



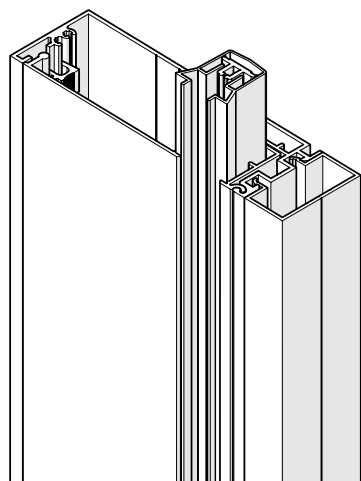
Lista di guida 1040 = lista di guida 1120 montata sulla superficie



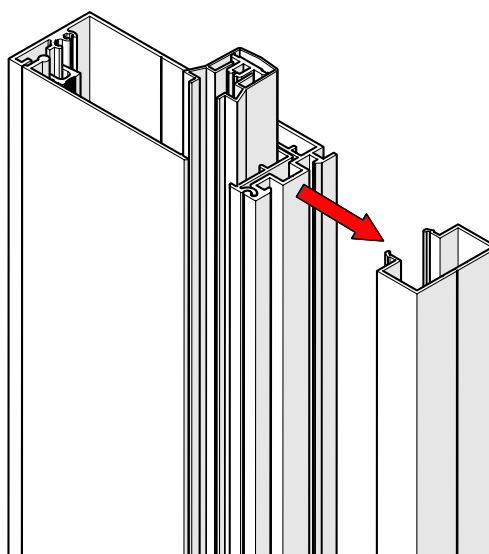
Lista di guida 1120 – click profil



- le liste di guida sono consegnate già montate. Profilo click deve essere rimosso dal profilo di base.

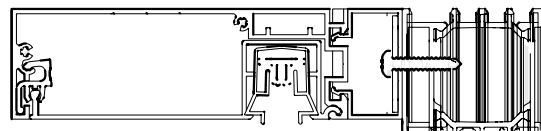
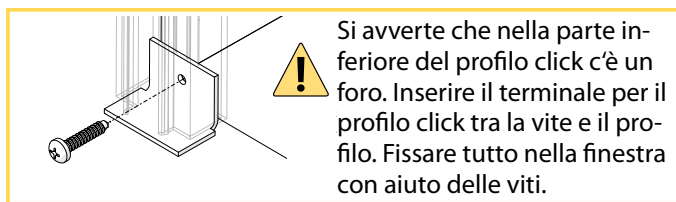
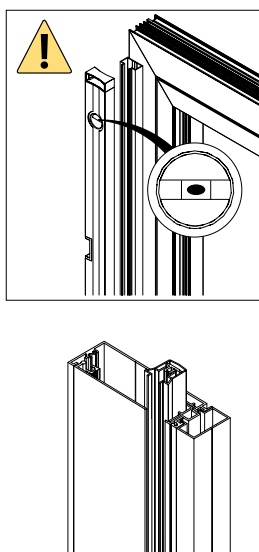
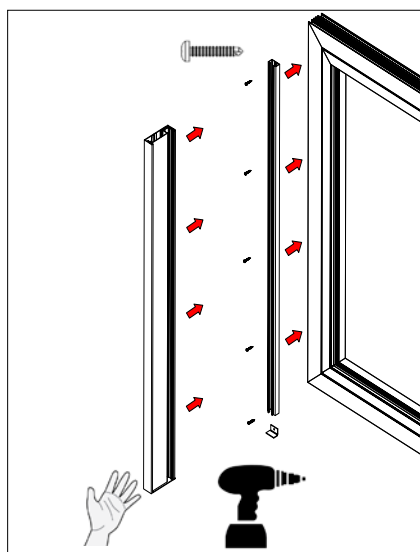


Il profilo click deve essere staccato dal profilo di base prima del montaggio alla finestra.



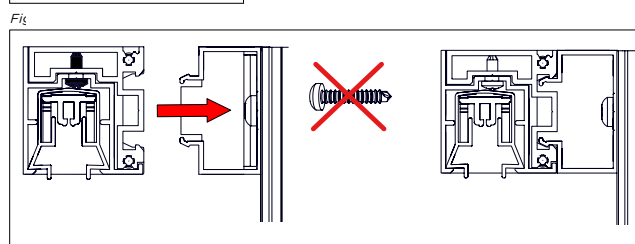
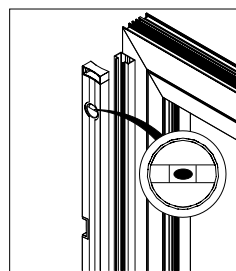
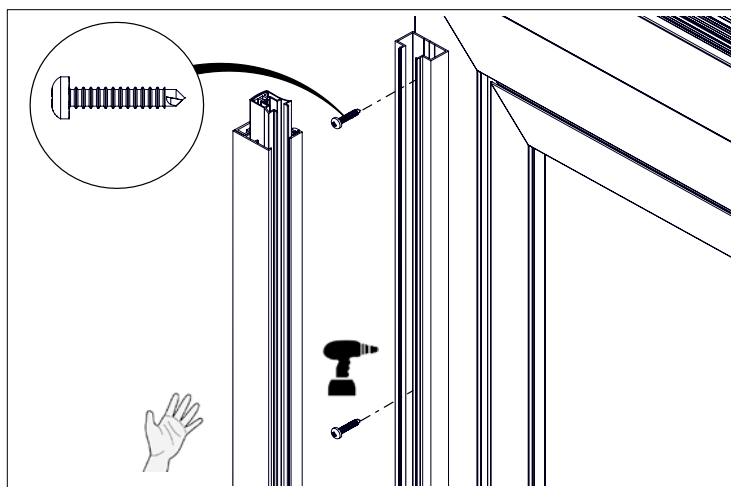


Tenete in mente che bisogna avvitare soltanto il profilo click alla finestra. Il profilo di base della lista di guida è poi attaccato al profilo click con aiuto dell'innesto click.

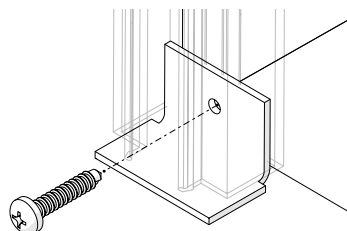


Lista di guida 1040 – click profil

Il montaggio è uguale come per la lista di guida 1120. La lista di guida è consegnata già premontata. Attaccate la lista di guida al profilo click (dopo che quello sia attaccato alla finestra).



Tenete in mente che nella parte inferiore del profilo click c'è un piccolo foro. Inserite in questo foro il terminale consegnato, tra la vite e il profilo. Tutto va fissato alla finestra.

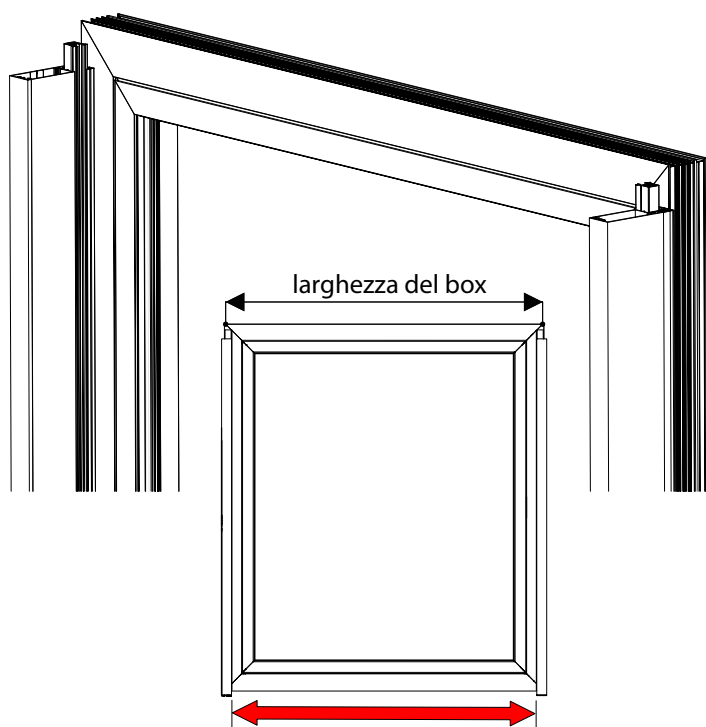


Passo 3

Eeguire la stessa procedura di montaggio per le altre liste di guida.



Assicuratevi che la tende a rullo screen sia installata sempre in un perfetto quadro. Ciò può essere verificato soltanto in un modo.

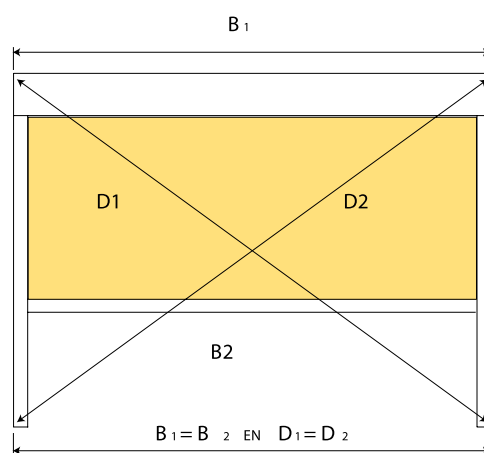


Distanza tra le liste di guida = larghezza del box – 80 mm

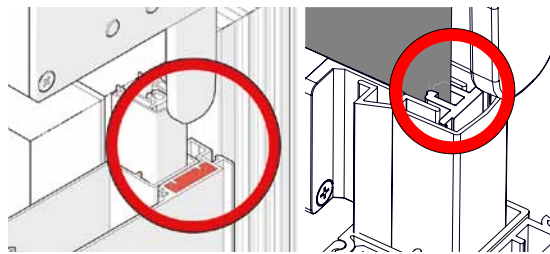
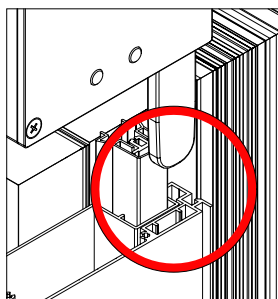
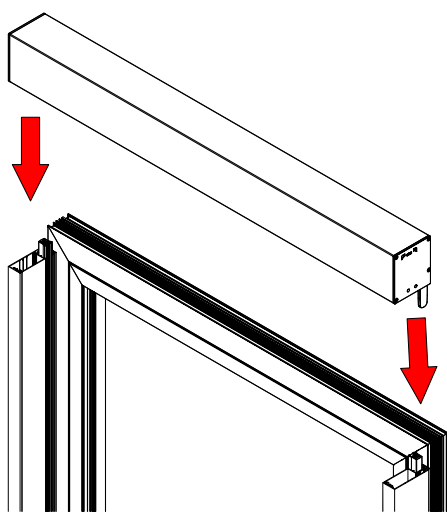
Verificate se le liste di guida sono parallele tra di loro e perpendicolari al box. Misurate la distanza tra le liste di guida con precisione in millimetri. Iniziare direttamente sotto il box.

Deviazioni maggiori di 2 mm possono causare problemi con la tende a rullo e/o la lista di guida, e il tessuto non deve essere ben disteso. Eseguire l'ulteriore misurazione con precisione in millimetri, lungo le diagonali.

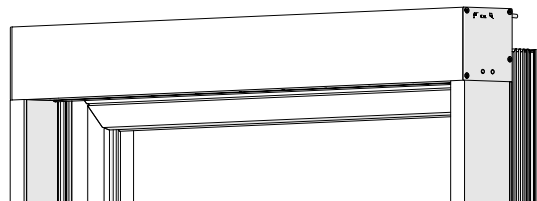
Se il box e le liste di guida non sono ben montati, la lista inferiore si può arrotolare di traverso nel box e il tessuto avrà le pieghe.

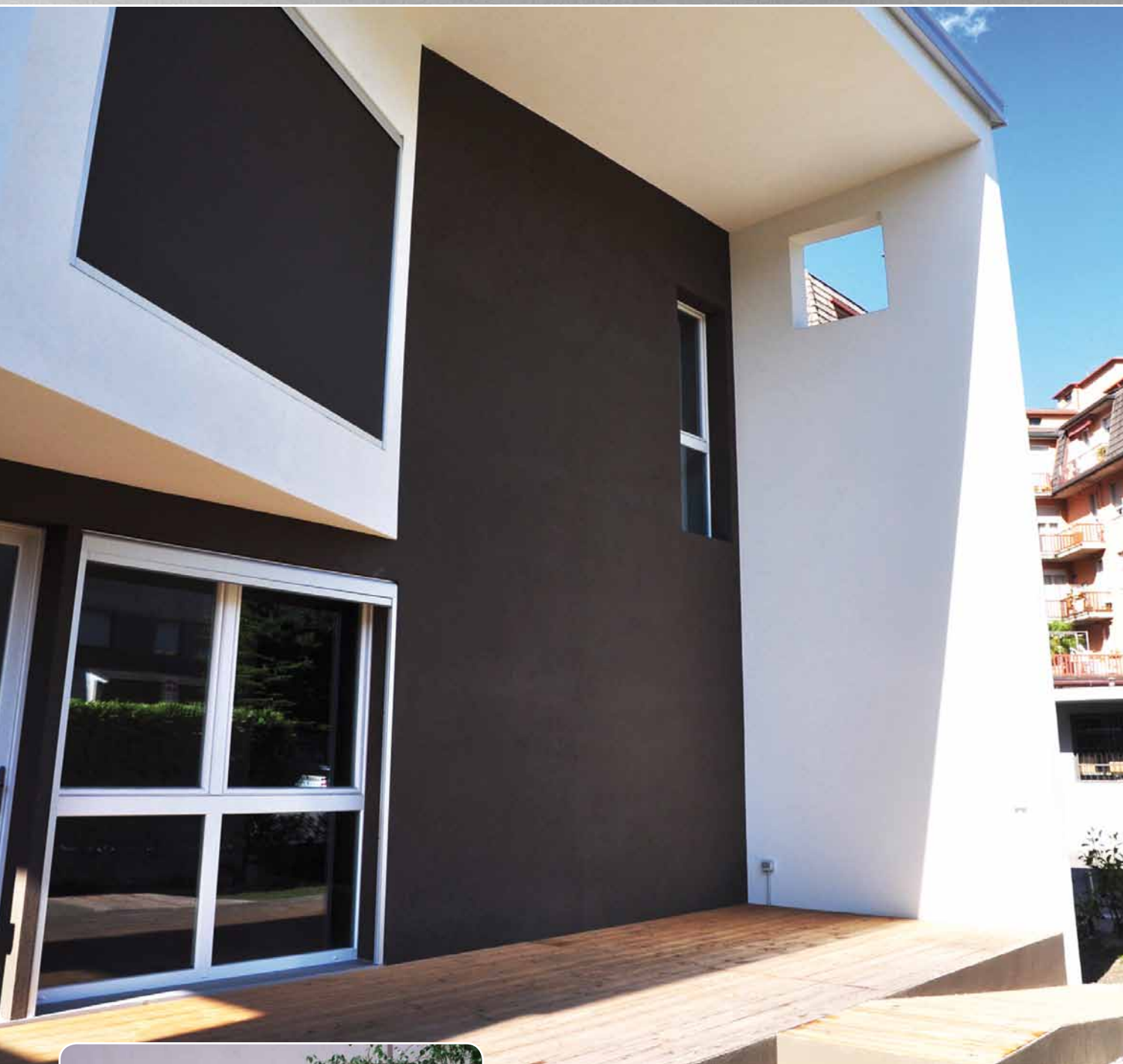
**Passo 4**

Montate ambedue le liste di guida, ribaltare il box alle liste di guida. Assicuratevi che i cavicchi delle sponde si siano sprofondati nella lista di guida e che lo zip sia collocato nella guida zip.



Assicuratevi che lo zip sia inserito nel profilo di guida zip.

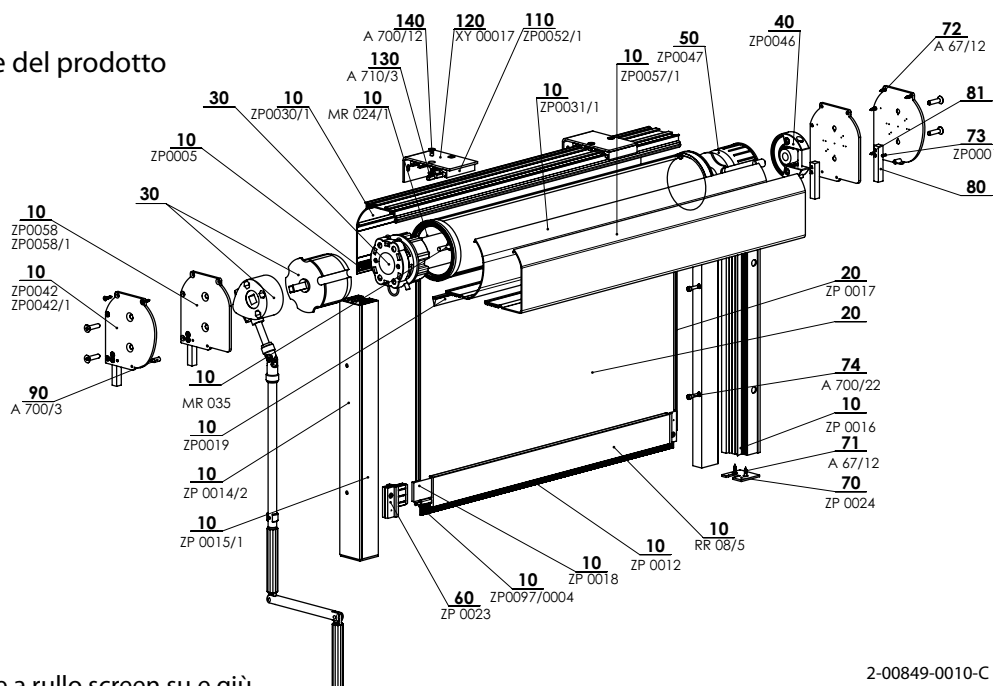




- ▲ Elemento decorativo e moderno degli esterni degli edifici,
- ▲ minima penetrazione della luce grazie al distendimento del tessuto assoluto,
- ▲ Classe resistenza al vento 3,
- ▲ effetto termoregolatore,
- ▲ protezione dagli insetti in posizione chiusa,
- ▲ versione cromatica della costruzione secondo il campionario RAL.

SCREEN ZIP

Specificazione base del prodotto

**Comando**

Serve a tirare la tende a rullo screen su e giù.

Motore - possibilità di comando con aiuto del sensore sole / vento, eventualmente con telecomando o interruttore.

Manovella - allungamento del meccanismo di comando ad asta negli interni si esegue sotto l'angolo tra 45° e 90° con aiuto di isolatore passante e un'asta esagonale (Versione cromatica: grigio / elox)

2-00849-0010-C

Specificazione

	Profilo superiore			Profilo inferiore	Guida laterale lista di guida	Montaggio
	box	box	Cilindro d'avvolgimento			
Denominazione commerciale	C 105	CT 105	MR 024/1	FZ 47	GS40	al soffitto (al vano della finestra) al muro (davanti al vano della finestra)
Dimensioni (mm)	103x116,5	104,5x116,5	Ø 78 mm	20x47,4	40x42,2	
Materiale	Al	Al	Fe	Al	Al	
Colore	Standard: RAL 9006 alluminio brillante RAL 9007 alluminio grigiastro RAL 9010 bianco puro		RAL 7016 grigio antracite RAL 7016 grigio antracite struttura RAL 8014 marrone seppia altri colori RAL su richiesta*			

*eccetto i pezzi in plastica, larghezza massima 4000 mm

Versioni atipiche non vengono prodotte.

Dimensioni standard

Versione	Larghezza (mm)		Altezza (mm)		Area garantita (m ²)
	min.	max.	min.	max.	
motore	800	4500	500	3000	13,5
manovella	500	4500	500	3000	13,5

Tessuti di tipo Blackout:

In ogni tipo di montaggio, lo strato non trasparente viene collocato dalla parte della finestra. In caso del montaggio fuori, un forte vento può causare un leggero sollevamento della lista inferiore e del tessuto, e perciò non è sempre possibile garantire l'oscuramento al 100%. Nel caso dei tessuti Blackout, gli zip sono attaccati dalla parte vista, e non sullo strato non trasparente, e perciò è possibile che con un forte vento o una vista di traverso sulla lista di guida, si vedrà un pezzo di tessuto del nastro zip, ma ciò ha soltanto una piccola importanza in comparazione alla vista o alla tenuta del tessuto (riduzione dell'ondulazione).

Fenomeni comuni di tessuti tecnici

Un'increspatura del tessuto può apparire intorno alle saldature o nel centro del tessuto perché durante l'uso agiscono sul tessuto varie forze e perciò tale fenomeno è comune. Ne fa parte anche il cosiddetto "effetto da abete" quando il tessuto è increspato nella zona di cuciture. Dei visibili segni di pressione da parte del cilindro sul tessuto spariscono con temperature superiori, quando il tessuto si ripiana. La lista inferiore non arriva fino al box.

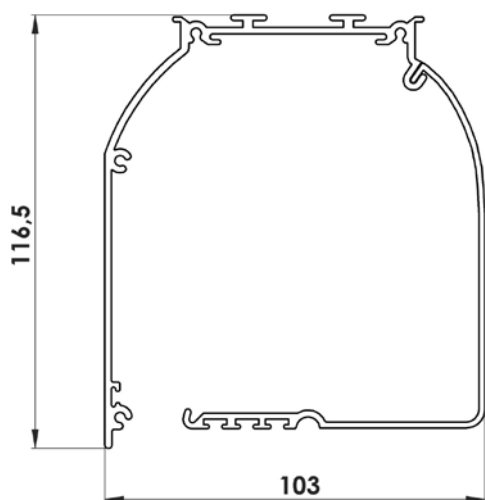
SCREEN ZIP (2-00849-0010)

posizione	denominazione item	Denominazione commerciale	numero del disegno
10	Lista inferiore Al - FZ 472	RR 08/5	7-302966-0000
10	Carico screen piano (zinco resistente a caldo)	ZP0018	3-01381-PU27
10	Spazzola largh.4.8 x alt. 7mm nera	ZP0005	6-009219-0000
10	Asta in plastica 4,0 mm PVC	ZP0097/0004	6-016911-0004
10	Coperchio Al. - CT105 superiore, solido, grezzo	ZP0030/1	7-302968-0000
10	Coperchio Al. - CT105 inferiore, di revisione, rotondo, grezzo	ZP0031/1	7-302969-0000
10	Coperchio Al. - CT105 inferiore, di revisione, quadrato, grezzo	ZP0057/1	7-302971-0000
10	Coperchio laterale elox, CT105 rotondo, grazzo - coppia	ZP0042	6-009194-0002
10	Coperchio laterale rotondo - coppia	ZP0042/1	2-01007-0000
10	Coperchio laterale elox, CT105 quadrato, grezzo - coppia	ZP0058	6-011456-0000
10	Coperchio laterale quadrato - coppia	ZP0058/1	2-01008-0000
10	Spazzola largh.4.8 x alt. 12mm nera	ZP0012	6-009148-0000
10	Guarnizione PVC 5,5 x 12 mm	ZP0019	6-008716-0000
10	Cilindro d'avvolgimento della tenda da sole diam. 78 mm - 6 m	MR 024/1	6-011084-0078
10	Asta in plastica 6,0mm PVC	ZP0097/0006	6-016911-0006
10	Inserito ZIP per GS 40 nero	ZP0016	6-008707-0001
10	Lista di guida Al - GS 40	ZP0014/2	7-303770-0000
10	Lista di guida chiusura Al - GS 40	ZP0015/1	7-302972-0000
20	Tessuto screen		vedi il campionario SCREEN
20	ZIP (pezzo doppio, si strappa in due parti)	ZP0017	6-008709-0000
30	Motori (SOMFY, BECKER) screen		vedi Comando
30	Trasmissione + manovella per screen		vedi Comando
40	Supporto Al con boccola set per il motore	ZP0046	6-009209-0000
50	Tappo del cilindro diam. 78 PVC - telescopico	ZP0047	6-009210-0078
60	Terminale della lista inferiore FZ 47 set	ZP0023	6-008949-0503
70	Terminale lista di guida - D/S	ZP0024/1	7-303027-0000
71,72	Vite 3,5x16 DIN 7997	A 67/12	6-009093-0000
73	Cavicchio flessibile 3x12 DIN 7346	ZP0001	6-009807-0000
74	Vite a brugola M4x16 DIN 912	A 700/22	6-012632-0000
80	Supporto lista di guida screen		7-303793-0000
81	Vite M4x16 in acciaio inossidabile DIN 965-H		6-014750-0000
90	Vite di sicurezza del coperchio M4	A 700/3	7-303030-0000
110	Profilo - supporto solido per Screen	ZP0052/1	3-03058-PU11
120	Squadretta Fe piegata 100/40	XY 00017	3-02233-PU22
130	Dado M5 DIN 6923 con anello dentato	A 710/3	6-011882-0000
140	Vite M5x10 Zn DIN 965-H	A 700/12	6-003186-0000

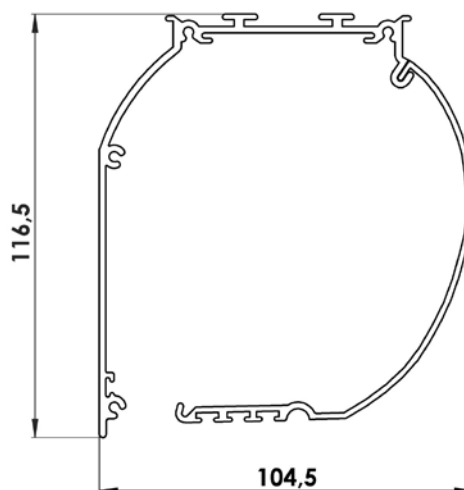
SCREEN ZIP

Specificazione tecnologica

Profilo superiore C 105

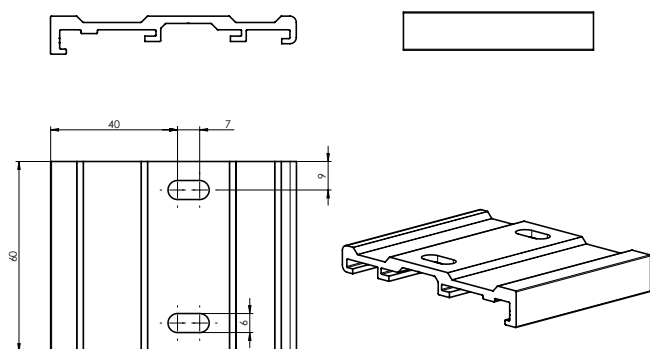


Profilo superiore CT 105



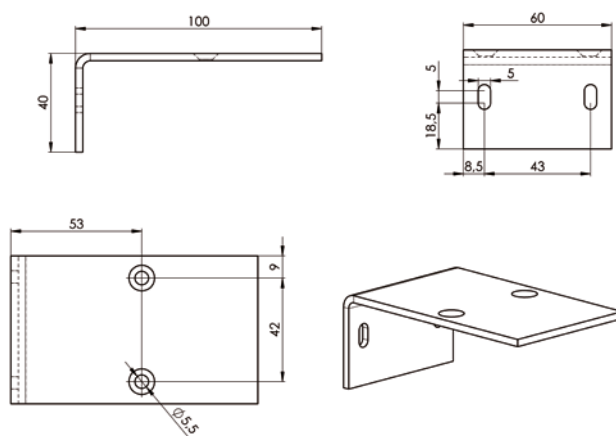
Supporto del profilo superiore

(3-03058-PU11)



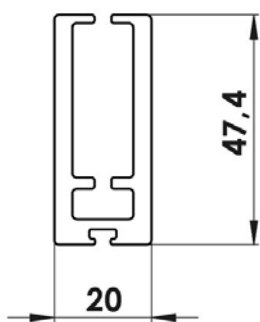
Consolle L

(RO-018, 7-302233)



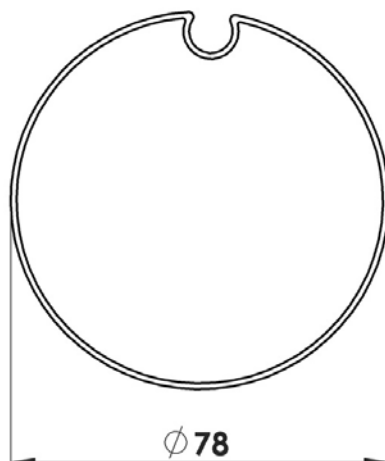
Profilo inferiore FZ 47

(3-03058-PU11)



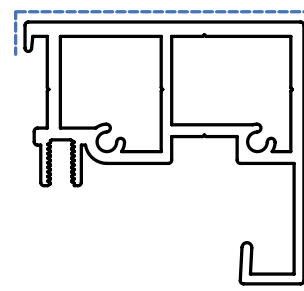
Cilindro d'avvolgimento

(6-011084)



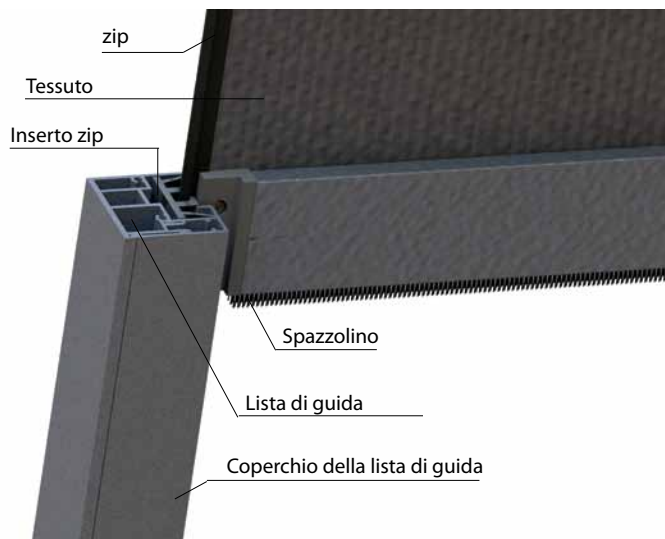
Lista di guida GS 40

(7-303770-0000)



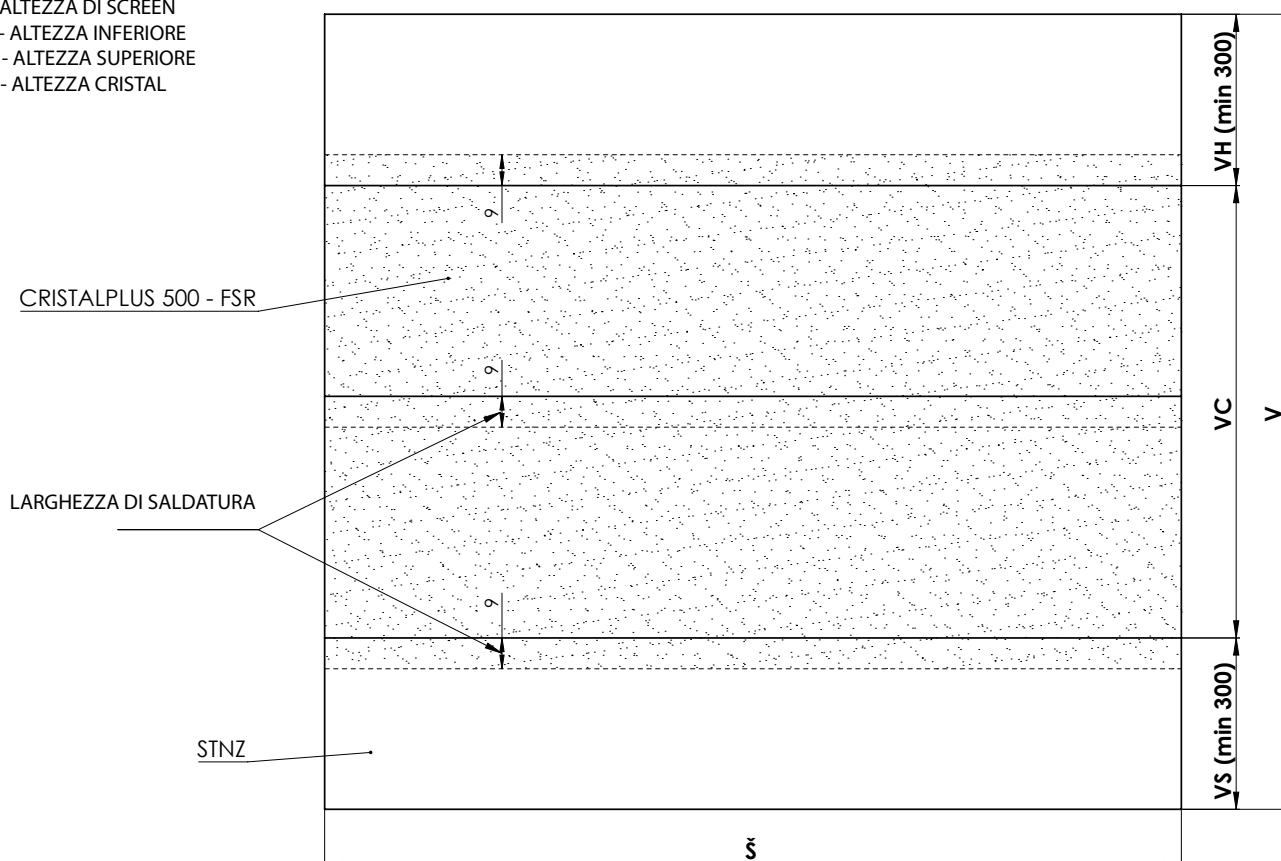
- GS40 Binario di guida non forato
- GS40c forato anteriore
- GS40b forato lateralmente

sistema ZIP



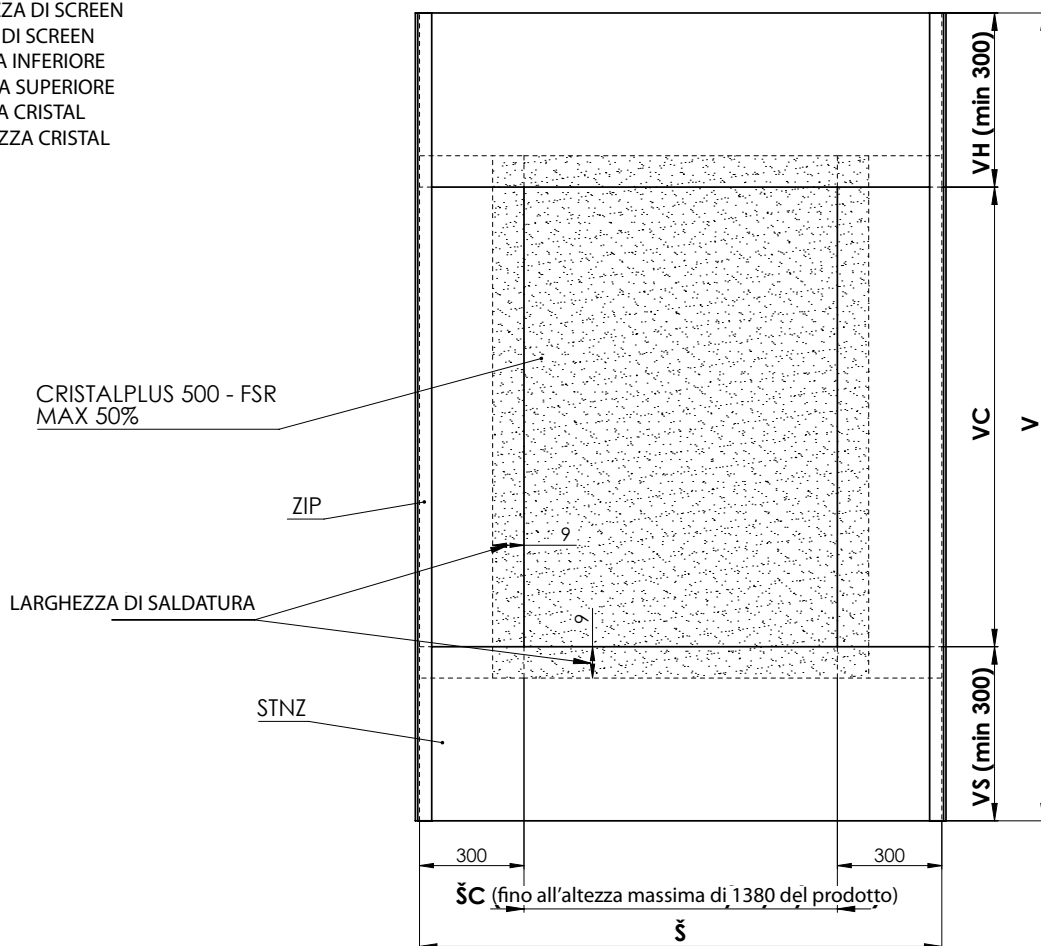
Tessuto Cristal è orlato da un nastro di tessuto STNZ:

Š - LARGHEZZA DI SCREEN
V - ALTEZZA DI SCREEN
VS - ALTEZZA INFERIORE
VH - ALTEZZA SUPERIORE
VC - ALTEZZA CRISTAL



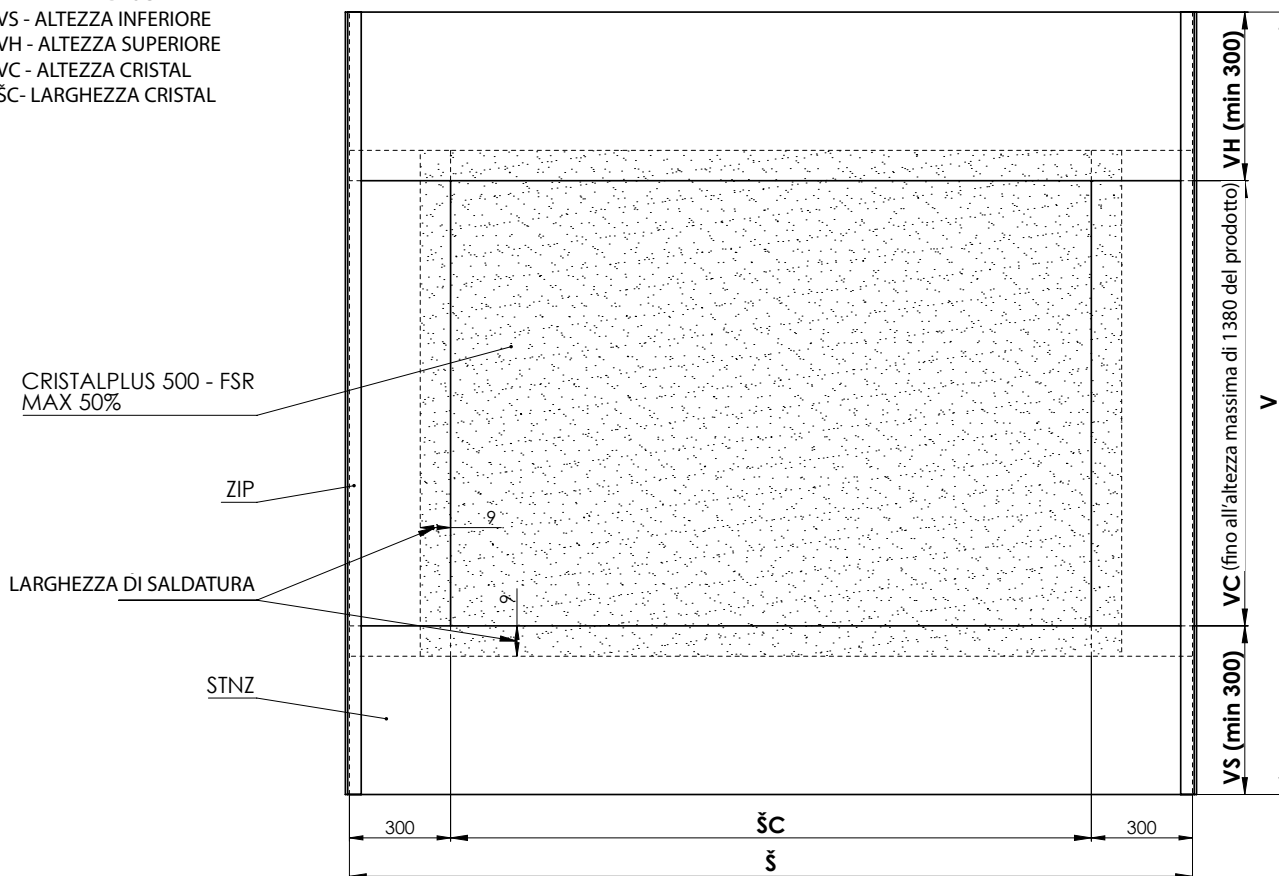
VERSIONE DEL TESSUTO CRISTAL NEL PRODOTTO GW E LITE

Š - LARGHEZZA DI SCREEN
 V - ALTEZZA DI SCREEN
 VS - ALTEZZA INFERIORE
 VH - ALTEZZA SUPERIORE
 VC - ALTEZZA CRISTAL
 ŠC - LARGHEZZA CRISTAL



VERSIONE VERTICALE DEL TESSUTO CRISTAL NEL PRODOTTO SCREEN ZIP E SCREEN ZIP ECONOMY

Š - LARGHEZZA DI SCREEN
 V - ALTEZZA DI SCREEN
 VS - ALTEZZA INFERIORE
 VH - ALTEZZA SUPERIORE
 VC - ALTEZZA CRISTAL
 ŠC - LARGHEZZA CRISTAL



VERSIONE ORIZZONTALE DEL TESSUTO CRISTAL NEL PRODOTTO SCREEN ZIP E SCREEN ZIP ECONOMY

SCREEN ZIP

Istruzioni per la misurazione

Istruzioni per la misurazione

Le tende a rullo SCREEN ZIP si possono collocare sia nel vano della finestra, sia davanti ad esso, con il montaggio al soffitto o alla parete.

La larghezza e l'altezza della tende a rullo vanno misurate in modo seguente:

š (larghezza)

a) attacco nel vano della finestra

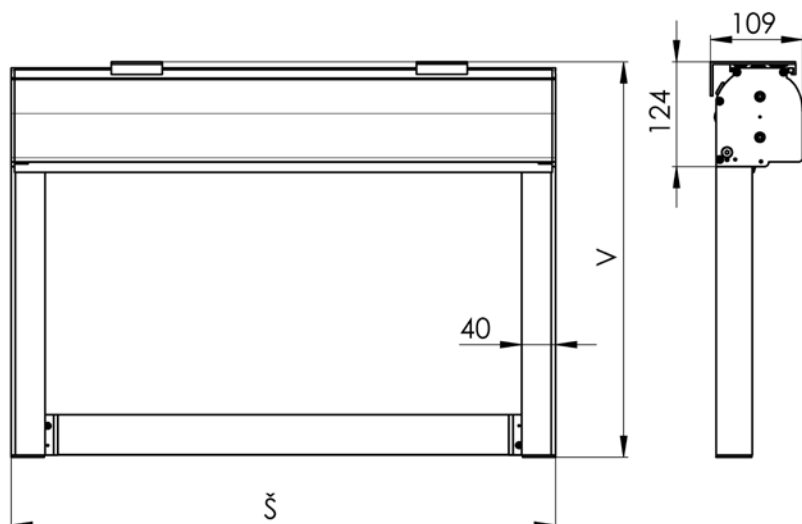
Si misura la reale larghezza del vano, e in particolare in tre punti; nel modulo d'ordine si indica il minore valore reale misurato.

b) attacco sul vano

Nel modulo d'ordine va indicata di regola la larghezza del vano che dovrebbe essere oscurato dalla tende a rullo + 2 x 40 mm. Le dimensioni al di fuori dei limiti stabiliti vanno consultate con il produttore.

v (altezza)

Si misura l'altezza totale, compresi il profilo superiore e il supporto della tende a rullo.



Le dimensioni al di fuori dei limiti stabiliti vanno consultate con il produttore.

Maggiori informazioni nel documento separato **Istruzioni di misurazione e montaggio**.

SCREEN ZIP

Montaggio

Montaggio

Il montaggio delle tende a rullo va effettuato soltanto dal personale qualificato capace di osservare regolarmente le istruzioni indicate sotto con rispetto alla sicurezza propria e degli altri.

Le attività principali sono le seguenti:

- 1) preparazione delle pareti, dei soffitti, delle finestre o di altre costruzioni per il montaggio delle tende a rullo, con l'uso dei trapani e delle cacciaviti mobili;
- 2) montaggio della tende a rullo alla parete o al soffitto;
- 3) connessione all'alimentazione elettrica;
- 4) aggiustamento (di arresti finali / interruttori finali del motore, ecc.) e test della tende a rullo.

Preparazione del montaggio della tende a rullo

Prima del montaggio della tende a rullo verificare se la superficie dell'area da montaggio non sia danneggiata e se sia adatta per il montaggio. Scegliere le viti di fissaggio adeguate (tipo e dimensioni) corrispondenti al tipo della costruzione, sulla quale la tende a rullo sarà montata (legno, cemento, mattone ecc.).

Attenzione: Installazione scorretta può causare incidenti. Osservare le istruzioni per il corretto montaggio della tende a rullo al fine di impedire il rischio di separazione della tende a rullo dalla parete o dalla finestra. La società ISOTRA a.s. non ha nessuna responsabilità per i guasti causati dal montaggio scorretto.

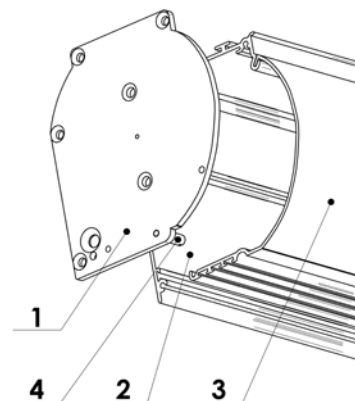
Montaggio della tende a rullo

La tende a rullo si può montare in due modi:

1. montaggio diretto alle liste di guida con il montaggio al soffitto o alla parete
2. montaggio al soffitto o montaggio frontale con aiuto di speciali consolle di attacco;

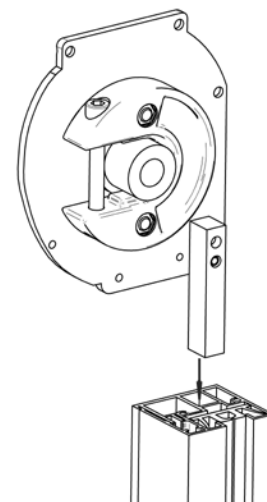
Montaggio della cassetta superiore

La cassetta superiore si compone di tre parti: sponda (1), parte fissa (2) e parte staccabile (3). Se ci fosse bisogno di estrarre il cilindro d'avvolgimento, l'accesso dentro la cassetta superiore è possibile con l'estrazione di due viti (4) (una da ciascuna parte) e la rimozione della parte staccabile della cassetta.



Montaggio diretto nella lista di guida

Inserire il perno rettangolare di ottone sporgente da sotto sponda nella lista di guida, secondo la figura. Non servono le viti.



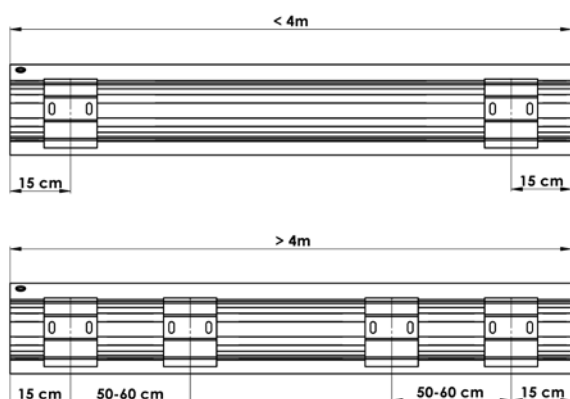
SCREEN ZIP

Montaggio al soffitto

Montaggio al soffitto

Segnare la posizione dei fori da trapanare e prendere in considerazione i seguenti fattori:

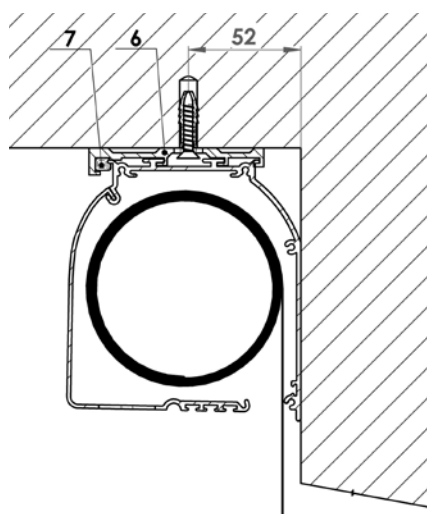
- nel caso delle cassette superiori dalla larghezza di 4,0 m bastano due consolle che vanno montate a distanza di circa 15–20 cm da ogni fine;
- nel caso di tende a rullo più larghe servono quattro consolle, sempre una a 15–20 cm da ogni fine e altra a 50–60 cm da quell'altra;



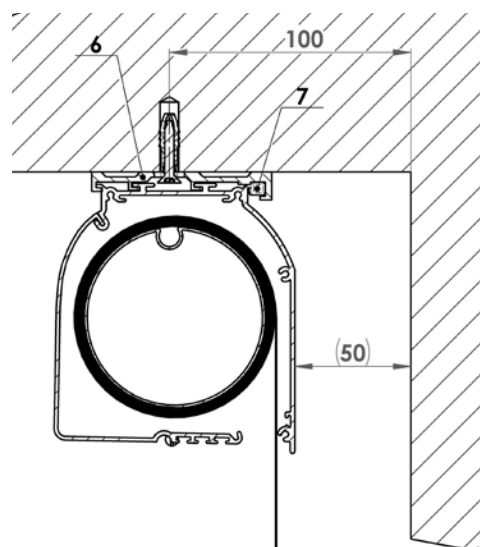
- se ciò è possibile, la distanza dalla parete dipende dal modo in cui la consolle viene montata, e quindi anche dalla posizione dei cunei:
 - cuneo davanti: **52 mm**
 - cuneo dietro: **100 mm**

Bisogna tenere in mente le seguenti realtà:

- il montaggio della consolle con cunei orientati verso la stanza minimizza la distanza tra la cassetta superiore e la parete posteriore, ma la consolle rimane appesa e non dà un buon effetto estetico;
- il montaggio della consolle con cunei indietro è esteticamente più adeguata, ma richiede uno spazio di almeno 5 cm tra la parete posteriore e la cassetta superiore.



Montare le consolle (6) con aiuto di viti e pezzi adeguati per il tipo della costruzione alla quale si montano (costruzione di metallo, il telaio della finestra, la parete o un altro materiale) Nei casi in cui si usano tre o più pezzi di consolle, assicurare che le consolle siano perfettamente bilanciate ± 1 mm; ciò si può verificare, muovendo la cassetta lungo gli incavi prima di serrare le viti di fissaggio.



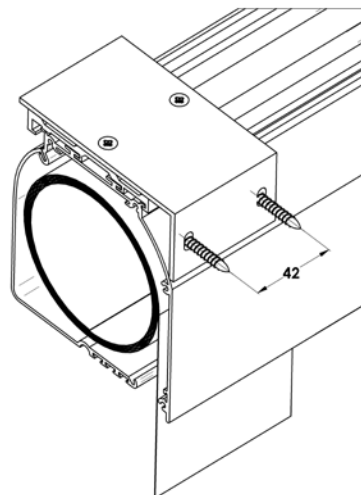
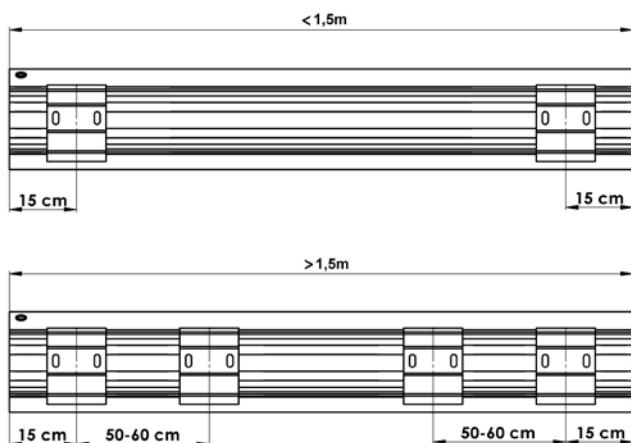
Inserire la cassetta superiore alle consolle e muoverla longitudinalmente finché sia centrata nell'ambito dell'anta della finestra, e premere i cunei (7) per assicurare la cassetta al suo posto.

SCREEN ZIP

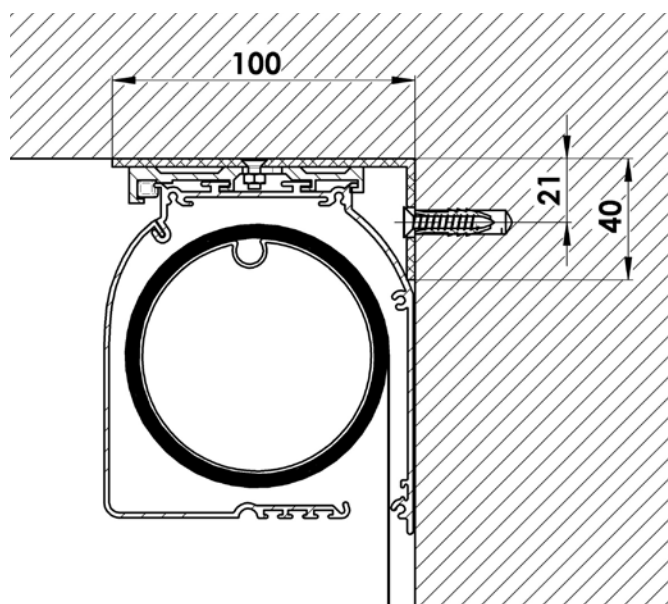
Montaggio alla parete

Montaggio alla parete

Segnare la posizione delle consolle „L” e dei fori da trapanare. Nel caso delle cassette superiori dalla larghezza di **1,5 m** bastano due consolle che vanno montate a distanza di circa 15–20 cm da ogni fine. Nel caso di tende a rullo più larghe, servono altre consolle, sempre una a 15–20 cm da ogni fine e altra a 50–60 cm dalla prima.



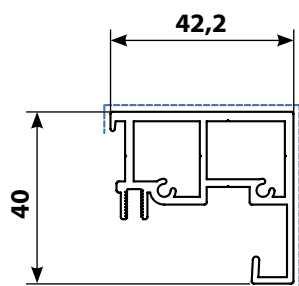
I fori di montaggio devono essere fatti almeno a 21 mm dal soffitto o da un qualunque ostacolo eccedente la cassetta. Montare le consolle con aiuto di viti e pezzi adeguati al tipo della costruzione alla quale si montano (costruzione di metallo, telaio della finestra, la parete o un altro materiale). Nei casi in cui si usano quattro consolle, assicurare che le consolle siano perfettamente bilanciate ± 1 mm; ciò è possibile verificare, muovendo la cassetta lungo gli incavi prima di serrare le viti di fissaggio. Montare la cassetta alle consolle e mouverla longitudinalmente, finché sia centrata nell'ambito dell'anta della finestra.



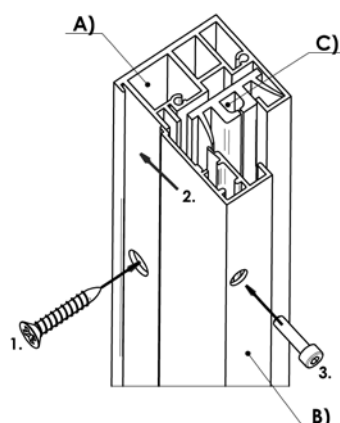
SCREEN ZIP

Montaggio delle liste di guida

Montaggio delle liste di guida



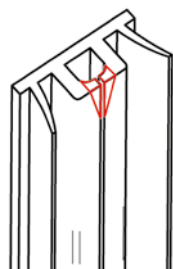
Il corretto modo di montare le liste di guida alla cassetta dipende dal modello della cassetta usato e dal fatto se la cassetta si monta al soffitto, alla parete o se è attaccata direttamente alle liste di guida. Disponibile è un solo modello di liste di guida GS40.



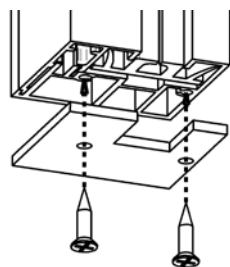
Le liste di guida ZIP si compongono di tre parti: due rotaie in alluminio e una rotaia interna in plastica nella quale si muove ZIP.

- A - lista di guida in alluminio
- B - coperchio della rotaia in alluminio,
- C - rotaia di guida in plastica.

1. Prima si attacca la lista di guida in alluminio A) alla parete
2. Si inserisce in essa la rotaia di guida in plastica C) e il profilo si chiude con il coperchio in alluminio B)
3. Con aiuto di viti a brugola allegati, il coperchio si avvita alla lista di guida

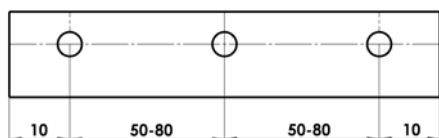


La lista di guida va ritagliata longitudinalmente così che il bordo sia perfettamente rettangolare. Dopo il ritaglio della lista interna in plastica, ambedue i bordi superiori del profilo dovrebbero essere bisellati così, come si vede nella figura, il che impedisce che il tessuto si bruchi sul bordo affilato durante l'uso.



Se le liste di guida non stanno con il loro bordo al davanzale della finestra o sul pavimento, si devono usare i tappi terminali. Prima del passo seguente del montaggio, attaccare i tappi terminali con aiuto delle viti consegnate.

Montaggio della lista di guida GS40

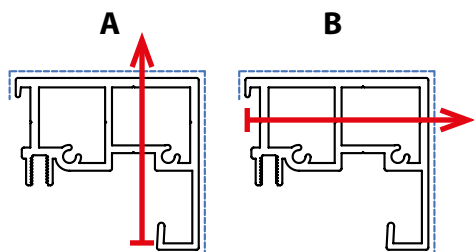


Nel modello ZIP, disponibile è un solo modello delle liste di guida, e cioè il tipo GS40.

La lista si consegna con fori pretrapanati, secondo l'ordine, dalla fronte o dal fianco.

I fori sono distribuiti sempre in modo seguente:

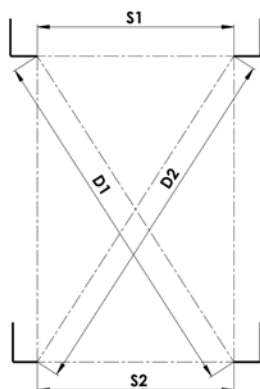
- i fori esterni si trovano a circa 10cm dal bordo della lista
- i fori interni si trovano in modo regolare a ogni 50-80cm lungo tutta la lista di guida



La linea rossa segnata indica l'asse verticale per le viti di montaggio. Usare le liste di guida trapanate come sagoma per la trasmissione della posizione dei fori alla parete dell'anta della finestra. Avvitare le liste di guida alla parete con aiuto delle viti e delle parti adatte al tipo della costruzione alla quale si montano (costruzione di metallo, cemento, muratura, ecc.).

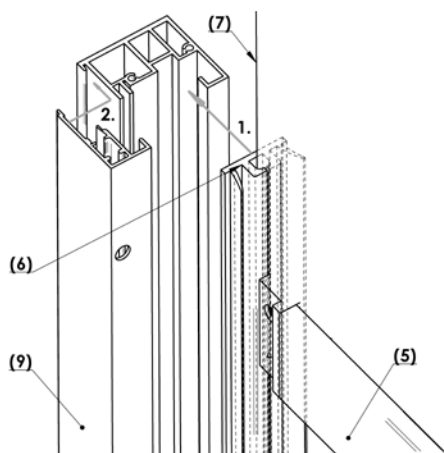
A - versione standard

B - il montaggio B va indicato in forma di nota nel modulo d'ordine



Finito il montaggio, verificare se le liste di guida siano parallele e rettangolari. Ciò è possibile, misurando le due distanze "S1" e "S2" o delle diagonali „D1" e „D2". Le dimensioni devono essere uguali $\pm 2\text{mm}$. Il corretto collocamento delle liste di guida è necessario, altrimenti può essere intaccata la funzione della tende a rullo. Nel caso del montaggio frontale della lista di guida, vengono consegnati i tappi autoadesivi per coprire i fori delle viti di fissaggio.

Montaggio dei pezzi in plastica



Manipolando con prudenza la tende a rullo, tirare giù il tessuto di 20 cm.

Muovere il profilo inferiore (5) verso il fianco così che il tessuto esca da una parte dalla caletta laterale. Dopo, inserire la rotaia interna (6) al tessuto e premere in esso lo zip (7).

1. Premere la rotaia interna direttamente nella caletta laterale della lista di guida, dove essa si raddrizza da sola. La rotaia interna sta sul pavimento o sul terminale e perciò non bisogna attaccarla in nessun modo.

2. Inserire il coperchio della lista di guida (9) sotto l'angolo, il suo scopo è quello di assicurare la rotaia di guida (6) nella lista di guida. Con una leggera pressione va chiuso a scatto in corretta posizione e fissato con le viti. Iniziare dall'alto e, pian piano, continuare verso il basso lungo la lista di guida.

SCREEN ZIP

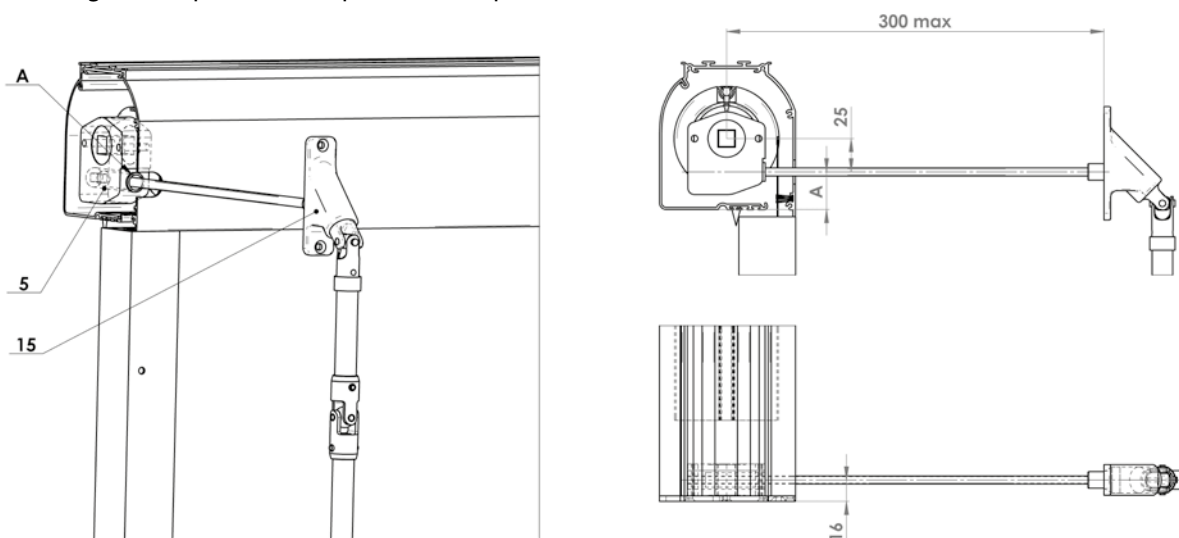
Montaggio della manovella

Montaggio della manovella attraverso la parete

Manovella – variante con isolatore passante (pezzi)

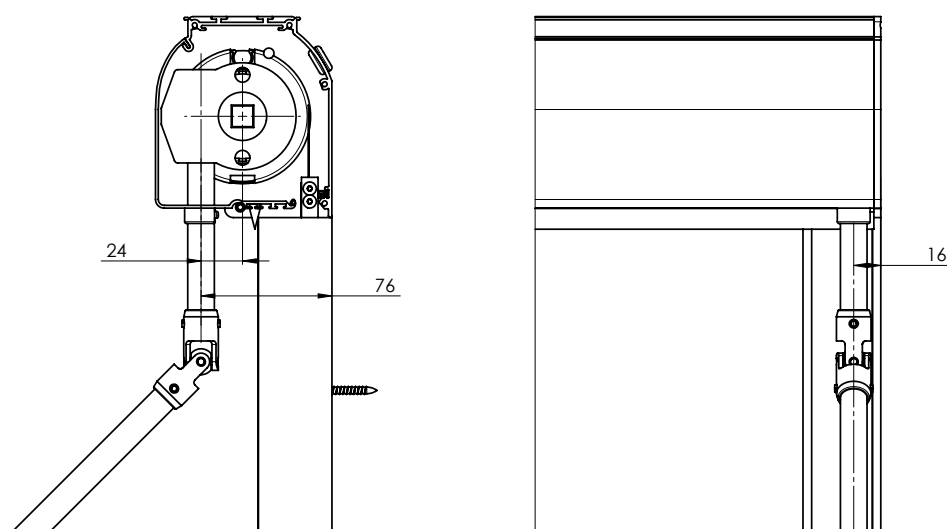
Nel caso della tende a rullo esterna montata con l'isolatore passante attraverso la parete e l'asta a manovella negli interni bisogna prima calcolare attentamente la posizione del foro per l'asta quadrata dalla lunghezza di 30 cm (15).

- Montare le consolle alla parete o al soffitto e installare la tende a rullo al suo posto. Segnare con una matita la posizione dell'angolo inferiore della cassetta alla parete o al telaio della finestra. Estrarre la tende a rullo dalle consolle di montaggio e misurare la distanza dall'angolo inferiore della cassetta al centro del foro (A) nella parte posteriore della cassetta (che serve a inserire l'asta quadrata per il comando del sistema della trasmissione). Segnare la stessa distanza alla parete, definendo così il centro del foro da trapanare.
- Trapanare con prudenza il foro attraverso la parete, con aiuto di punta dal diametro di 8 mm. E' importante che il foro sia il più orizzontale possibile.
- Reinstallare la tende a rullo e inserire, dagli interni, attraverso la parete, l'isolatore passante, al fine di verificare la corretta posizione del foro. Dopo, l'asta quadrata va tagliata tramite un seghetto alla corretta lunghezza. La sua lunghezza dipende dallo spessore della parete.



Manovella – variante diretta (K)

Manovella collegata con la manovella già a consegna



SCREEN ZIP ECONOMY

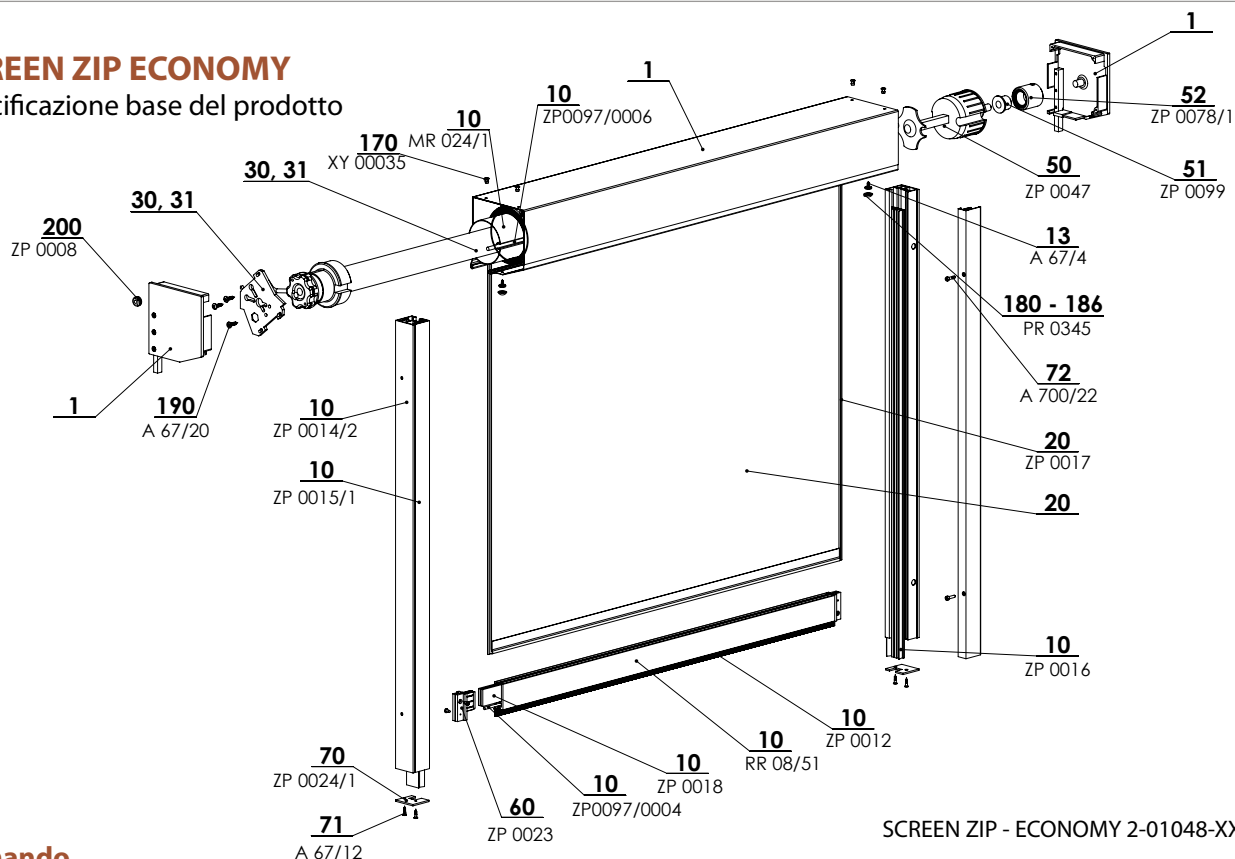


- ▲ Un elemento di oscuramento moderno per gli esterni e gli interni degli edifici,
- ▲ penetrazione di luce minima grazie al distendimento del tessuto assoluto,
- ▲ Classe resistenza al vento 3,
- ▲ effetto termoregolatore,
- ▲ protezione dagli insetti in posizione chiusa,
- ▲ variante a prezzo accessibile per il modello SCREEN ZIP
- ▲ comando a motore.

ISOTRA *Quality*

SCREEN ZIP ECONOMY

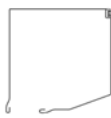


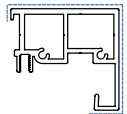
Specificazione base del prodotto

**Comando**

Serve a tirare la tende a rullo screen su e giù.

Motore - possibilità di comando tramite il sensore sole / vento, eventualmente con il telecomando o l'interruttore.

Specificazione

	Profilo superiore		Profilo inferiore	Guida laterale lista di guida	Montaggio
	box	cilindro d'avvolgimento			
Denominazione commerciale	PR0001	MR 024/1	FZ 47	GS40	alla parete (davanti al vano della finestra)
Dimensioni (mm)	128x129	Ø 78 mm	20x47,4	40x42,2	
Materiale	Al	Fe	Al	Al	
					
Colore	Standard: RAL 9006 alluminio brillante RAL 9007 alluminio grigiastro RAL 9010 bianco puro		RAL 7016 grigio antracite RAL 7016 grigio antracite struttura RAL 8014 marrone seppia altri colori RAL su richiesta*		

*eccetto i pezzi in plastica.

Versioni atipiche non si producono.

Dimensioni standard

Versione	Larghezza (mm)		Altezza (mm)		Area garantita (m ²)
	min.	max.	min.	max.	
motore	800	4000	500	3000	12

Tessuti di tipo Blackout:

In ogni tipo di montaggio, lo strato non trasparente viene posto dalla parte della finestra. Nel caso di montaggio fuori, un forte vento può causare un leggero sollevamento della lista inferiore e del tessuto, e perciò non è sempre possibile garantire l'oscuramento al 100 %. Nel caso dei tessuti Blackout gli zip vengono attaccati da parte della vista, e non dallo strato non trasparente, e perciò è possibile che con un forte vento o una vista di traverso sulla lista di guida si vedrà un pezzo di tessuto del nastro zip, ma ciò ha soltanto una piccola importanza in confronto alla vista o alla tenuta del tessuto (riduzione dell'ondulazione).

Fenomeni comuni di tessuti tecnici

Un'increspatura del tessuto può apparire intorno alle saldature o nel centro del tessuto perché durante l'uso agiscono sul tessuto varie forze e perciò tale fenomeno è comune. Ne fa parte anche il cosiddetto "effetto da abete" quando il tessuto è increspato nella zona di cuciture. Dei visibili segni di pressione da parte del cilindro sul tessuto spariscono con temperature superiori, quando il tessuto si ripiana.

La lista inferiore non arriva fino al box.

Screen ZIP Economy (2-01048-0000)

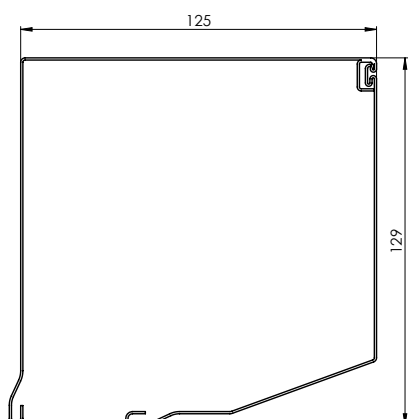
posizione	denominazione item	Denominazione commerciale	numero del disegno
1	Cassetta cilindrata, GOT 125 - incolore	PR0025	6-001699-0000
1	Cassetta cilindrata, inclinazione 20°, GUTS 125 - incolore	PR0001	6-001701-0000
1	Sponda-pezzo colato premente, inclinazione 20° BKS 125 -COPPIA	PR0059/01	6-001755-0000
1	Lista da facciata PS-V 20°	PR0077	6-001852-0000
1	Cassetta estrusa, inclinazione 20°, RK 125, inferiore	PR0049	6-001684-0000
1	Box, pezzo superiore, 125 mm, 20°	PR0054	7-302262-0000
1	Perno	PR0647	3-02956-0000
1	Vite	A700/26	6-003184-0000
10	Cilindro d'avvolgimento della tenda da sole diam. 78mm - 6m	MR 024/1	6-011084-0078
10	Asta in plastica 6,0mm PVC	ZP0097/0006	6-016911-0006
10	Lista inferiore Al - FZ 47	RR 08/5	6-008623-0000
10	Carico di acciaio 4x30 mm FeZn	ZP0018	6-008715-0000
10	Asta in plastica 3,8 mm	ZP0037	6-009163-0000
10	Spazzola largh.4.8 x v.12mm	ZP0012	6-009148-0000
10	Inserto ZIP per GS 40	ZP0016	6-008707-0001
10	Lista di guida Al - GS 40	ZP0014/2	7-303770-0000
10	Lista di guida chiusura Al - GS 40	ZP0015/1	7-302972-0000
13	Vite 3,5x9,5, DIN 7504 M, Zn, con testa emisferica a croce	A 67/4	6-003096-0000
20	Tessuto SCREEN		vedi il campionario SCREEN
20	ZIP	ZP0017	6-008709-0000
30	Motori (SOMFY, BECKER) SCREEN		vedi Comando
50	Tappo del cilindro diam. 78	ZP0047	6-009210-0078
51	Cuscinetto a sfera per ZipTex 28x12	ZP0080	6-012325-0001
52	Adattatore	ZP0078/1	2-01315-0000
60	Terminale della lista inferiore FZ 47 SET	ZP0023	6-008949-0503
70	Terminale lista di guida	ZP0024	6-008951-0000
71	Vite 3,5x16 DIN 7997	A 67/12	6-009093-0000
80	Vite a brugola M4x16, DIN 912, 8.8,	A 700/22	6-002280-0000
170	Rivetto staccabile Al 4x8 DIN 7337 A	XY 00035	6-011342-0000
180	Coperchio della vite in due pezzi PVC	PR0345	6-002073-0001
190	Vite 5x20 Zn con testa emisferica-a croce	A 67/20	6-003060-0001
200	Isolatore passante del cavo DI GOMMA 11/7	ZP0008	6-009196-0000

SCREEN ZIP ECONOMY

Specificazione tecnica di base

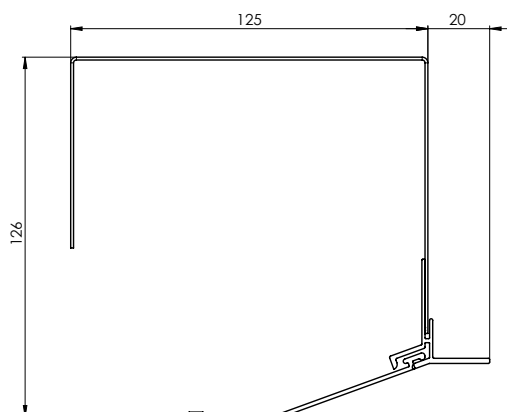
Box scoperto

(PR0025 + PR0001)



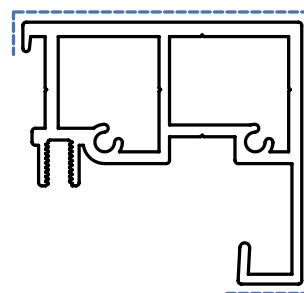
Box per intonacatura

(PR0054 + PR0077 + PR0647)



Lista di guida GS 40

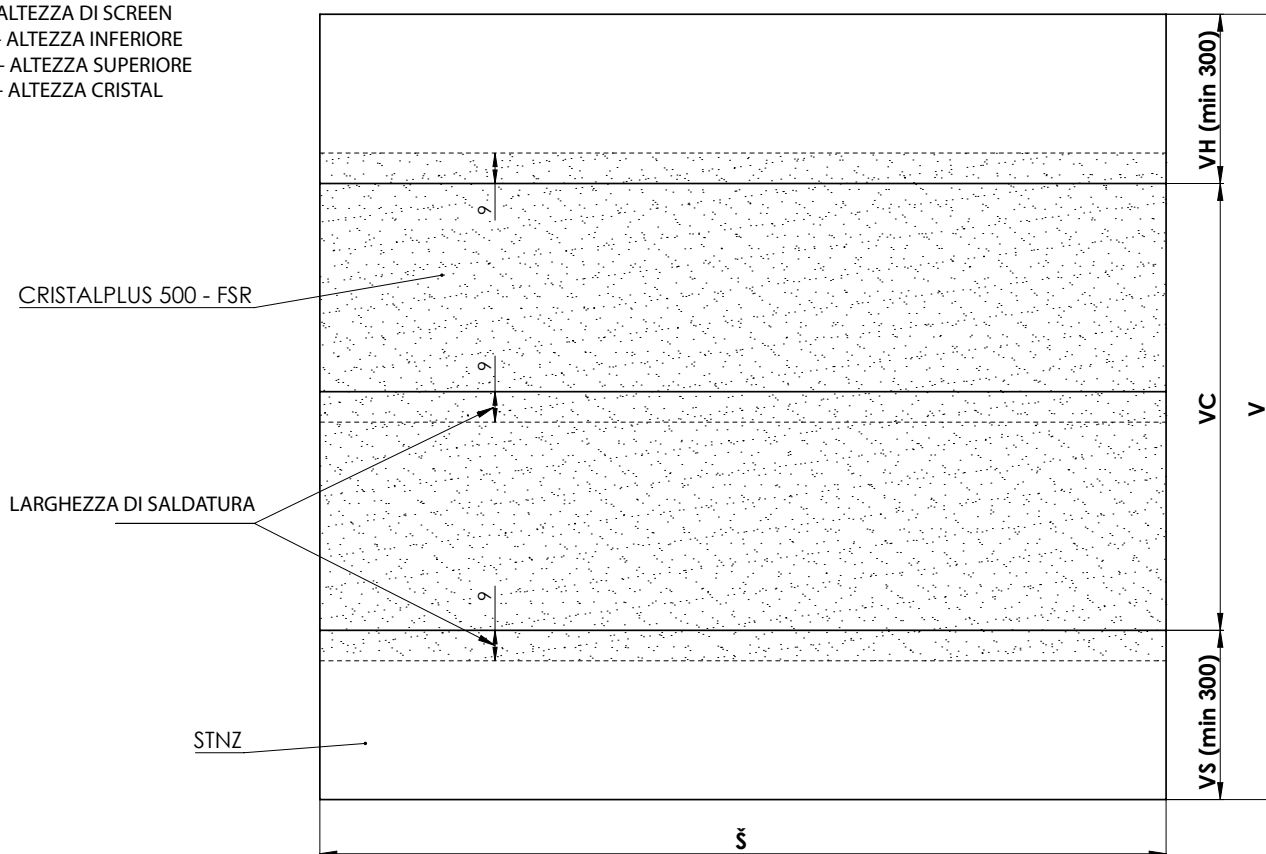
(7-303770-0000)



- GS40 Binario di guida non forato
- GS40c forato anteriore
- GS40b forato lateralmente

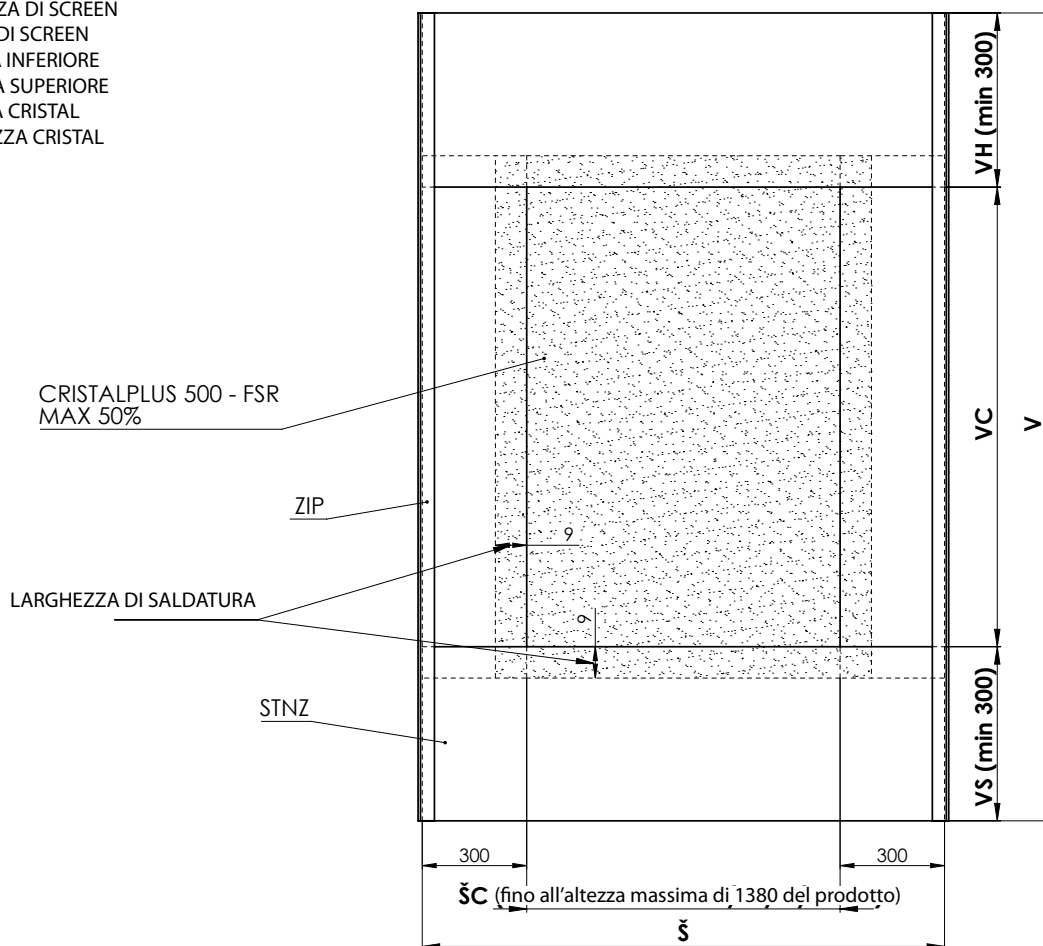
Il tessuto Cristal è orlato da un nastro di tessuto STNZ:

- Š - LARGHEZZA DI SCREEN
- V - ALTEZZA DI SCREEN
- VS - ALTEZZA INFERIORE
- VH - ALTEZZA SUPERIORE
- VC - ALTEZZA CRISTAL



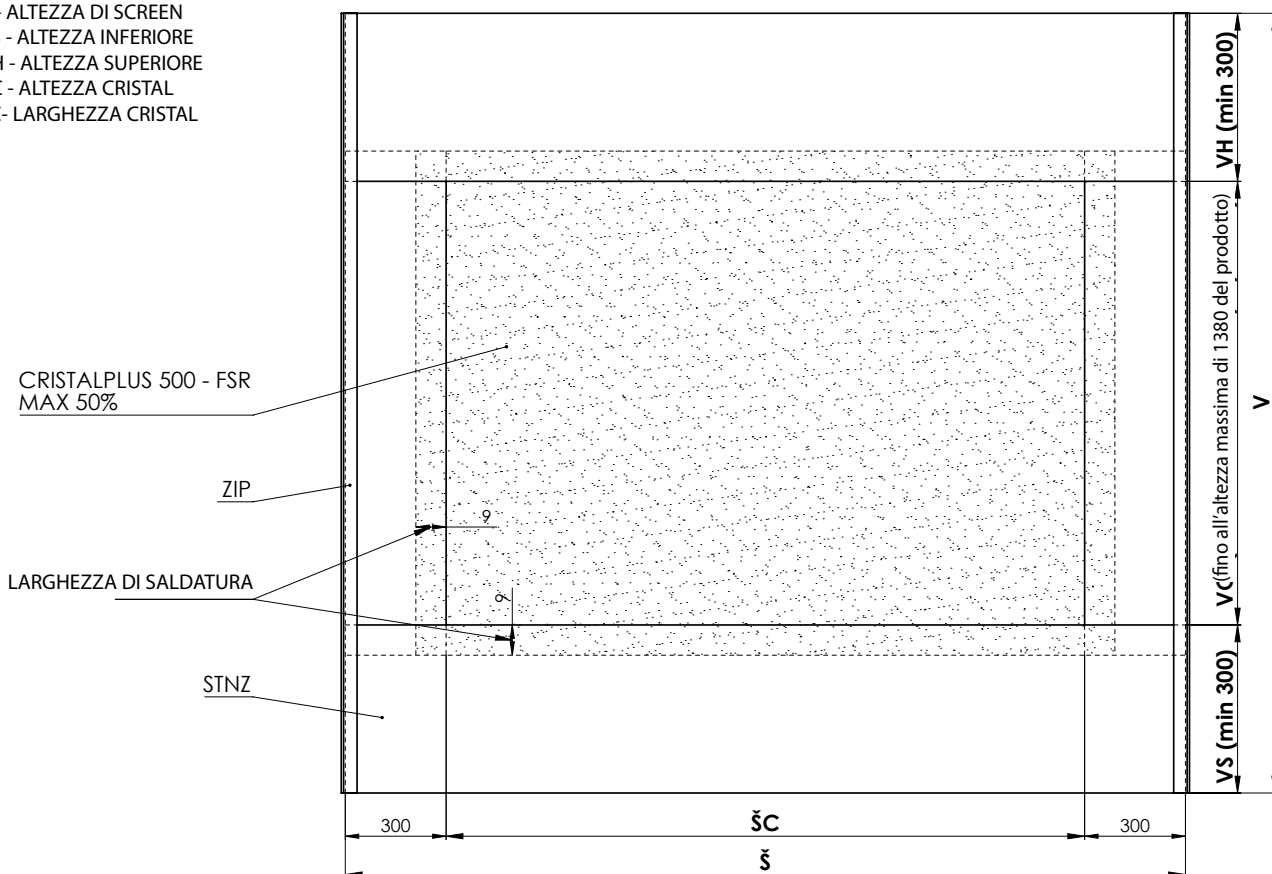
VERSIONE DEL TESSUTO CRISTAL NEL PRODOTTO GW E LITE

Š - LARGHEZZA DI SCREEN
 V - ALTEZZA DI SCREEN
 VS - ALTEZZA INFERIORE
 VH - ALTEZZA SUPERIORE
 VC - ALTEZZA CRISTAL
 ŠC - LARGHEZZA CRISTAL



VERSIONE VERTICALE DEL TESSUTO CRISTAL NEL PRODOTTO SCREEN ZIP E SCREEN ZIP ECONOMY

Š - LARGHEZZA DI SCREEN
 V - ALTEZZA DI SCREEN
 VS - ALTEZZA INFERIORE
 VH - ALTEZZA SUPERIORE
 VC - ALTEZZA CRISTAL
 ŠC - LARGHEZZA CRISTAL



VERSIONE ORIZZONTALE DEL TESSUTO CRISTAL NEL PRODOTTO SCREEN ZIP E SCREEN ZIP ECONOMY

SCREEN ZIP ECONOMY

Istruzioni per la misurazione

1. Misurazione

Le tende a rullo SCREEN ZIP ECO si possono collocare sia nel vano della finestra sia davanti ad esso, con il montaggio alla parete.

La larghezza e l'altezza della tende a rullo vanno misurate in modo seguente:

Š (larghezza)

a) attacco nel vano

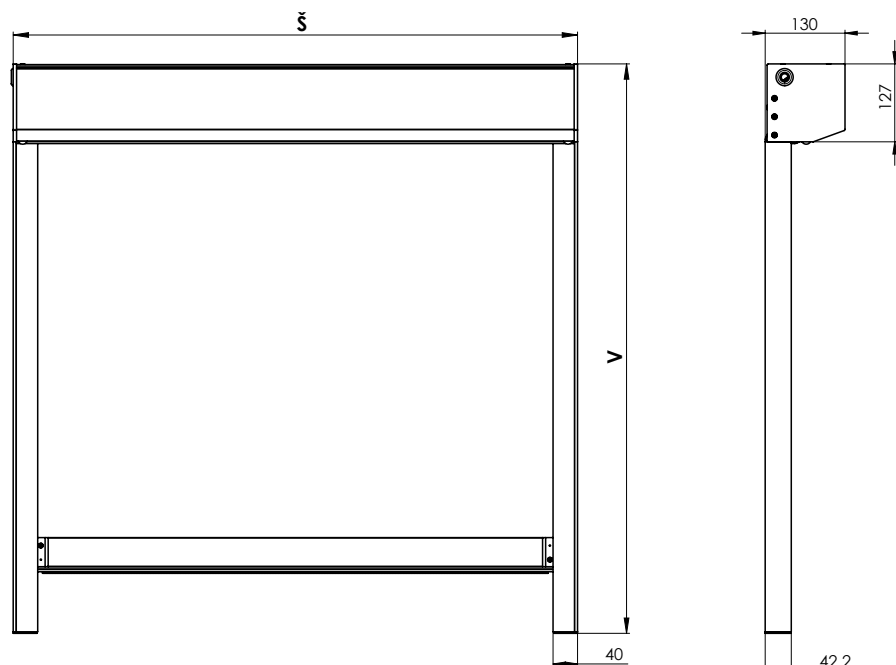
Si misura la reale larghezza del vano della finestra, e in particolare in tre punti; nel modulo d'ordine va indicato il minore valore reale misurato.

b) attacco sul vano

Nel modulo d'ordine si indica la larghezza del vano che dovrà essere oscurato dalla tende a rullo „+ 2 x 40 mm“. Le dimensioni al di fuori dei limiti stabiliti vanno consultate con il produttore.

V (altezza)

Si misura l'altezza totale, compresi il profilo superiore e il supporto della tende a rullo.

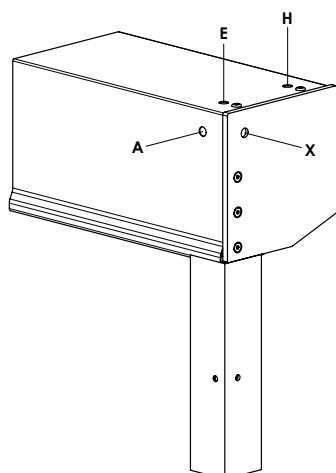


Le dimensioni al di fuori dei limiti stabiliti vanno consultate con il produttore.

Maggiori informazioni nel documento separato Istruzioni di misurazione e montaggio.

Possibilità di scegliere la posizione del cavo

A sinistra, uscita A
A sinistra, uscita E
A sinistra, uscita H
A sinistra, uscita X (Std)



a destra, uscita A
a destra, uscita E
a destra, uscita H
a destra, uscita X(Std)

SCREEN ZIP ECONOMY

Montaggio

Il montaggio delle tende a rullo può essere eseguito soltanto dal personale qualificato capace di osservare ammodo le istruzioni indicate sotto con rispetto alla sicurezza propria e degli altri.

Le principali attività sono le seguenti:

- 1) preparazione delle pareti, dei soffitti, delle finestre o di un'altra costruzione per il montaggio della tende a rullo con uso dei trapani e cacciaviti portatili;
- 2) montaggio della tende a rullo alla parete;
- 3) collegamento all'alimentazione elettrica;
- 4) aggiustamento (degli arresti terminali / degli interruttori del motore, ecc.) e test della tende a rullo.

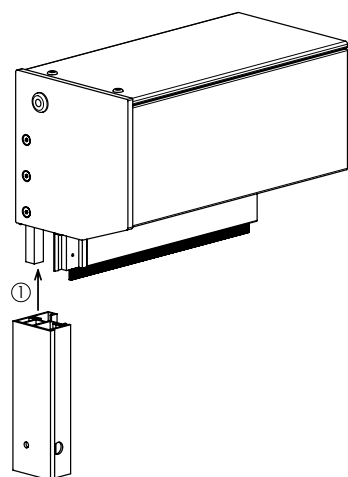
MONTAGGIO DELLA TENDE A RULLO

Montaggio diretto delle liste di guida alla parete.

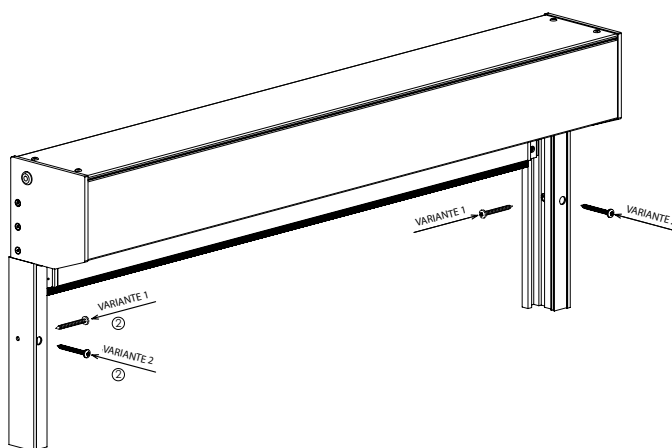
MONTAGGIO DELLA CASSETTA E DELLA LISTA DI GUIDA

Inserire la lista di guida alla punta della sponda. Non servono viti. Durante l'inserimento infilare lo zip nell'inserto di guida.

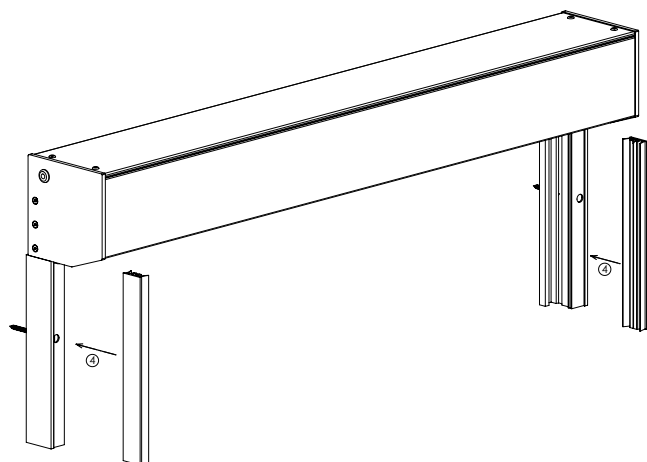
Unire le liste di guida con il box



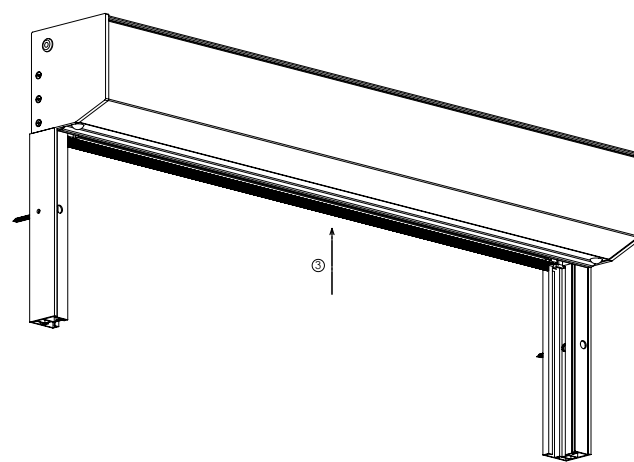
Collocare la tende a rullo al suo posto e avvitarlo



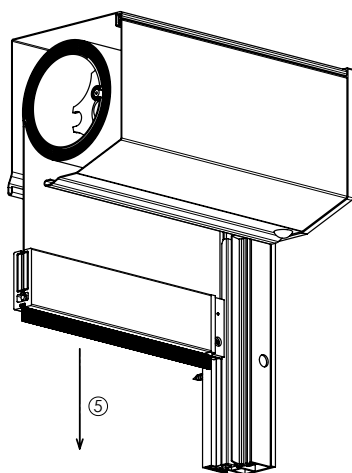
Avvolgere il tessuto al più alto possibile



Inserire le rotaie di guida in plastica



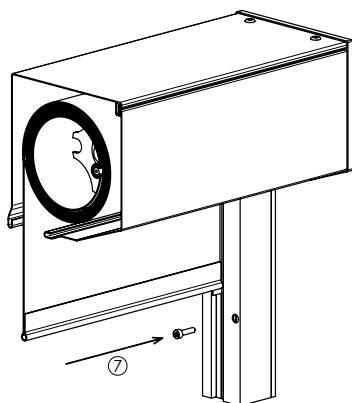
Infilare il tessuto nelle rotaie



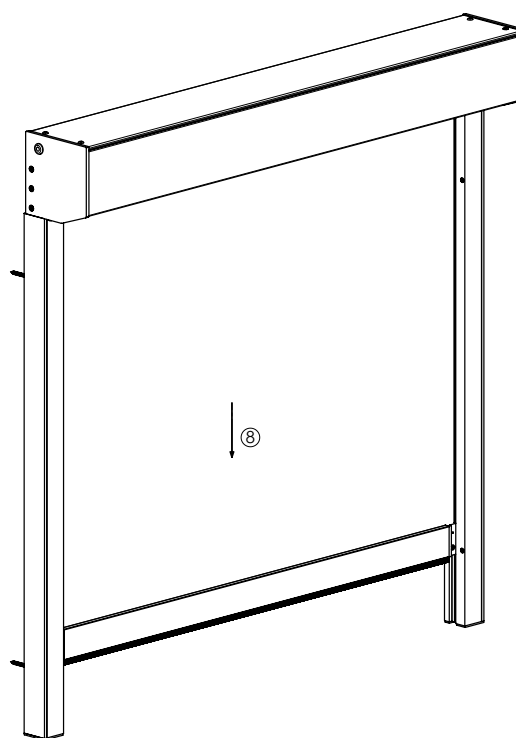
Inserire il coperchio della lista di guida



Assicurare la lista di protezione con la vite



Verificare la funzionalità



SCREEN GW

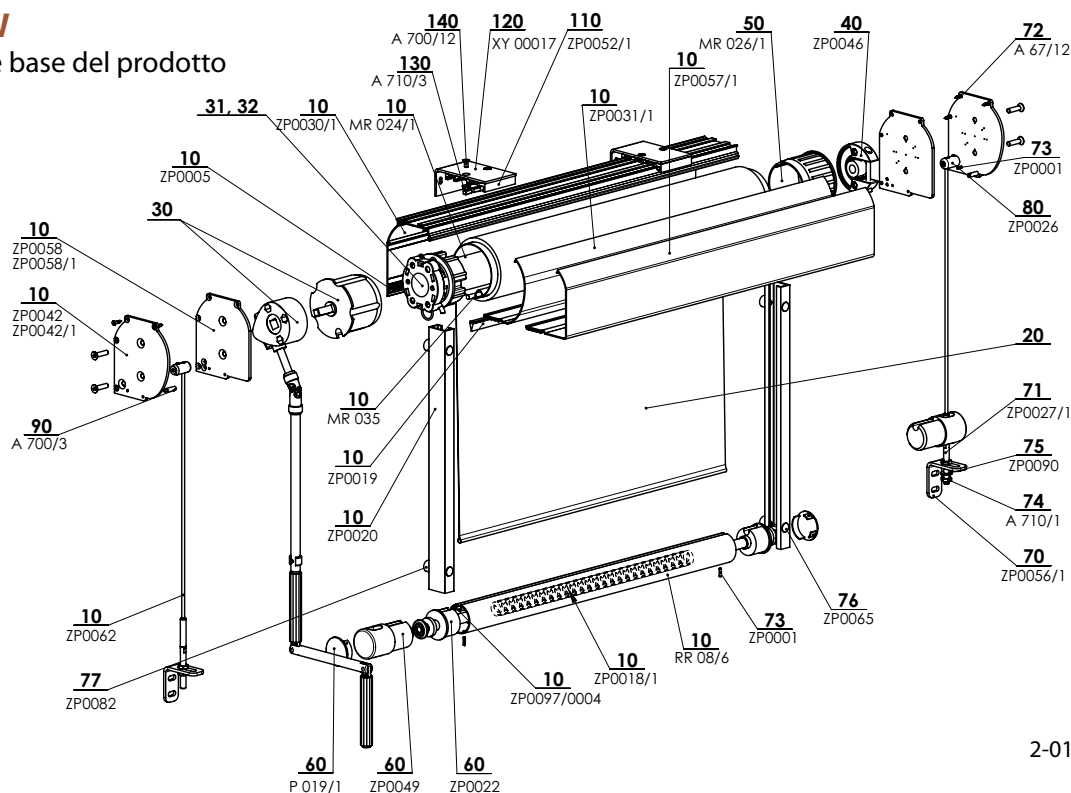


- ▲ Aspetto semplice, moderno e di stile,
- ▲ oscuramento delle aree interne ed esterne,
- ▲ guida laterale tramite un cavetto o una lista,
- ▲ possibilità di comando elettrico,
- ▲ versione cromatica secondo il campionario RAL,
- ▲ Classe resistenza al vento 3.

ISOTRA *Quality*

SCREEN GW

Specificazione base del prodotto



2-01396-0000-A

Comando

Serve a tirare la tende a rullo screen su e giù.

Manovella - l'inserimento del meccanismo di comando ad asta negli interni va eseguito sotto l'angolazione tra 45° e 90° con aiuto dell'isolatore passante e dell'asta esagonale. (Versione cromatica: grigio / elox)

Motore - possibilità di comando con aiuto del sensore sole / vento, eventualmente con il telecomando o l'interruttore.

Specificazione

	Profilo superiore			Profilo inferiore	Guida laterale		Montaggio
	tubo	box	box		lista di guida	cavetto	
Denominazione commerciale	MR 024/1	CT 105	C 105	FD 42	GC 20	ZP0062	al soffitto (nel vano della finestra) alla parete (davanti al vano della finestra)
Dimensioni (mm)	Ø 78 mm	104,5x116,5	103x116,5	Ø 42 mm	33x19 mm	Ø 4 mm	
Materiale	Fe	Al	Al	Al	Al	Fe	
Colore	grigio	Standard: RAL 9006 alluminio brillante RAL 9007 alluminio grigiastro RAL 9010 bianco puro		RAL 7016 grigio antracite RAL 7016 grigio antracite struttura RAL 8014 marrone seppia altri colori RAL su richiesta*		grigio	

* eccetto i pezzi in plastica, larghezza massima 4000 mm

Versioni atipiche non si producono.

Dimensioni standard

Versione	Larghezza (mm)		Altezza (mm)		Area garantita (m ²)
	min.	max.	min.	max.	max.
manovella	500	4000	500	3800	15,2
motore	800	4500	500	3800	18

Fenomeni comuni di tessuti tecnici

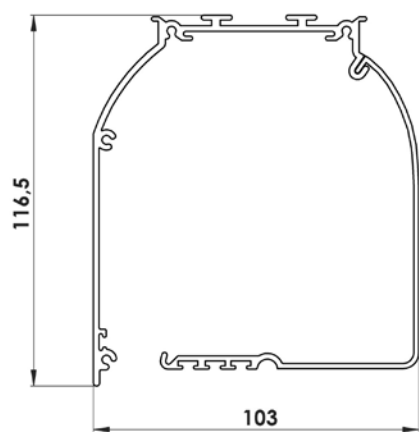
Un'increspatura del tessuto pu  apparire intorno alle saldature o nel centro del tessuto perch  durante l'uso agiscono sul tessuto varie forze e perci  tale fenomeno   comune. Ne fa parte anche il cosiddetto "effetto da abete" quando il tessuto   increspato nella zona di cuciture. Dei visibili segni di pressione da parte del cilindro sul tessuto spariscono con temperature superiori, quando il tessuto si ripiana. La lista inferiore non arriva fino al box.

Screen GW (2-00849-0020)

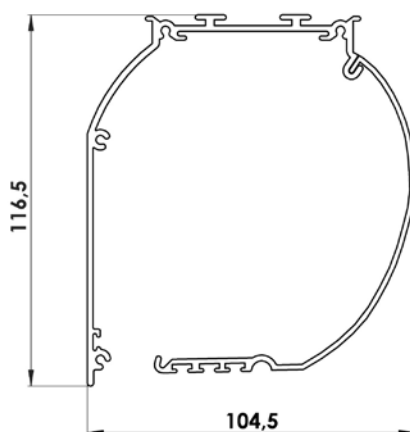
posizione	denominazione item	Denominazione commerciale	numero del disegno
10	Lista inferiore Al - FD 42 grezzo	RR 08/6	6-009147-0000
10	Carico screen rotondo (zinco resistente a caldo)	ZP0018/1	3-02880-PU27
10	Spazzola largh.4.8 x alt. 7mm nera	ZP0005	6-009219-0000
10	Asta in plastica 4,0 mm PVC	ZP0097/0004	6-016911-0004
10	Coperchio Al. - CT105 superiore, solido, grezzo	ZP0030/1	7-302968-0000
10	Coperchio Al. - CT105 inferiore, di revisione, rotondo, grezzo	ZP0031/1	7-302969-0000
10	Coperchio Al. - CT105 inferiore, di revisione, quadrato, grezzo	ZP0057/1	7-302971-0000
10	Coperchio laterale elox, CZ105 rotondo, grezzo - coppia	ZP0042	6-009194-0002
10	Coperchio laterale rotondo - coppia	ZP0042/1	2-01007-0000
10	Coperchio laterale elox, CZ105 quadrato, grezzo - coppia	ZP0058	6-011456-0000
10	Coperchio laterale quadrato - coppia	ZP0058/1	2-01008-0000
10	Guarnizione PVC 5,5 x 12 mm	ZP0019	6-008716-0000
10	Cilindro d'avvolgimento della tenda da sole diam. 78 mm - 6 m	MR 024/1	6-011084-0078
10	Asta in plastica 6,0mm PVC	ZP0097/0006	6-016911-0006
10	Cavetto in acciaio 4mm	ZP0062	6-011492-0000
10	Lista di guida GC20 grezza	ZP0020	6-008727-0000
20	Tessuto screen		vedi il campionario SCREEN
30	Motori (SOMFY, BECKER) screen		vedi Comando
31,32	Motori (SOMFY, BECKER) screen < 800 + campioni		vedi Comando
40	Supporto Al con boccola set per il motore	ZP0046	6-009209-0000
50	Tappo del cilindro diam. 78mm con perno	MR 026/1	6-011086-0078
60	Terminale della lista inferiore FD 42 (lista di guida) nero	ZP0022	6-008736-0030
60	Terminale screen nero	ZP0049	3-02208-9004
60	Coperchio della lista di guida diam. 40	P 019/1	3-01849-9006
70	Squadretta del cavetto tenditore - INOX, non verniciato	ZP0056/1	3-02431-0000
71	Vite tenditrice	ZP0027/1	3-02430-0000
72	Vite 3,5x16 DIN 7997	A 67/12	6-009093-0000
73	Cavicchio elastico 3x12 DIN 7346	ZP0001	6-009807-0000
74	Dado basso M8 in acciaio inossidabile DIN 439B A2	A 710/1	6-010705-0000
75	Rondella M8, DIN 125-A1, A2	ZP0090	6-009997-0002
76	Tappo autoadesivo 606-172-13 alluminio brillante RAL9006	ZP0065	6-011520-0000
77	Rondella di montaggio - Profilo di guida GC20	ZP0082	7-302422-0000
80	Tenditore del cavetto - Z105 per il coperchio superiore	ZP0026	6-009056-0000
90	Vite di fissaggio del coperchio M4	A 700/3	7-303030-0000
110	Profilo - supporto fisso per Screen	ZP0052/1	3-03058-PU11
120	Squadretta Fe piegata 100/40	XY 00017	3-02233-PU22
130	Dado M5 DIN 6923 con anello dentato	A 710/3	6-011882-0000
140	Vite M5x10 Zn DIN 965-H	A 700/12	6-003186-0000

SCREEN GW

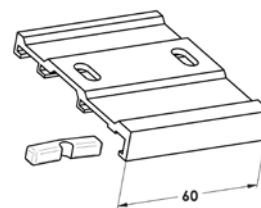
Profilo superiore C 105



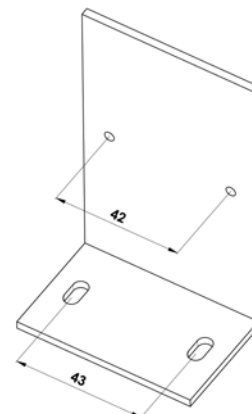
Profilo superiore CT 105



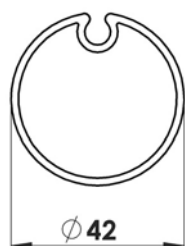
Supporto del profilo superiore
(6-009232)



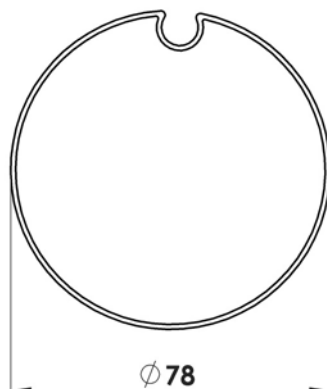
Consolle L
(7-302233)



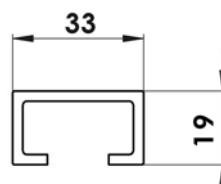
Profilo inferiore FD 42
(RR 08/6, 6-009147)



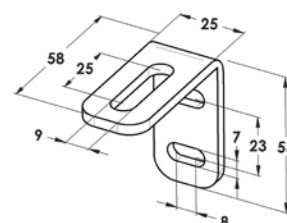
Cilindro d'avvolgimento
(6-011084)



Lista di guida GC 20
(6-008727)



Supporto del cavetto in acciaio
(302431)



Varianti della guida laterale



SCREEN GW

Istruzioni per la misurazione

Istruzioni per la misurazione

Le tende a rullo SCREEN GW si possono collocare sia nel vano della finestra sia davanti ad esso, con il montaggio al soffitto o alla parete.

La larghezza e l'altezza della tende a rullo screen vanno misurate in modo seguente:

Š (larghezza)

a) attacco nel vano della finestra

Si misura la reale larghezza del vano, e in particolare in tre punti; nel modulo d'ordine va indicato il minore valore misurato.

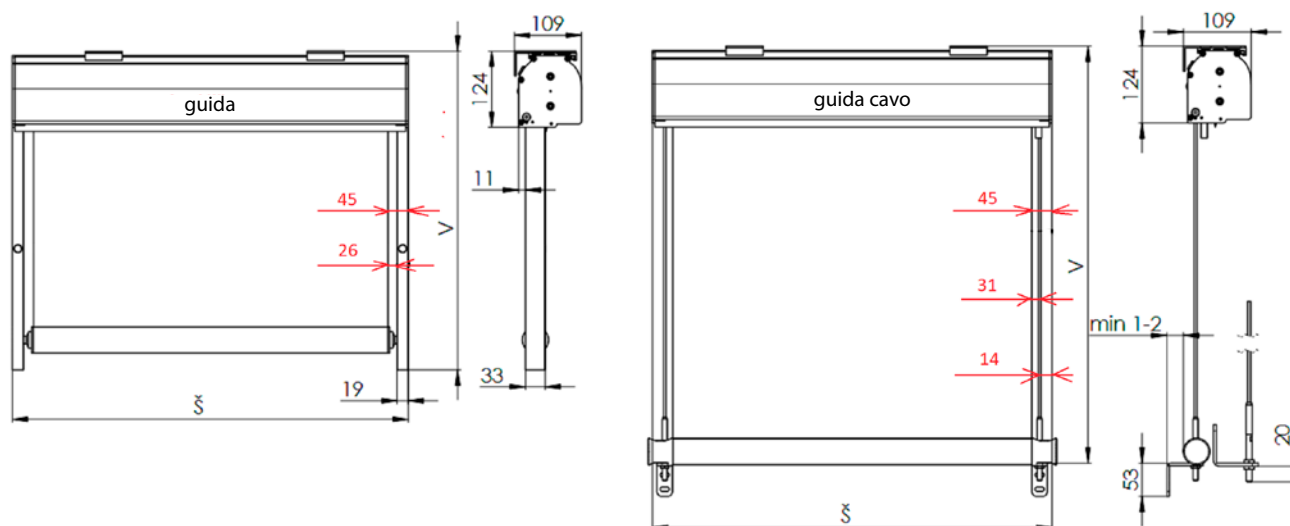
b) attacco al vano

Nel modulo d'ordine si indica di regola la larghezza del vano che dovrà essere oscurato dalla tende a rullo. Le dimensioni al di fuori dei limiti stabiliti vanno consultate con il produttore.

V (altezza)

Si misura l'altezza totale, compresi il profilo superiore e il supporto della tende a rullo.

Screen GW – distanza tra guida e tessuto – valida per motore e manovella



Le dimensioni al di fuori dei limiti stabiliti vanno consultate con il produttore.

Maggiori informazioni nel documento separato **Istruzioni di misurazione e montaggio.**

SCREEN GW

Montaggio

Montaggio

Il montaggio delle tende a rullo può essere eseguito soltanto dal personale qualificato capace di osservare le istruzioni indicate sotto con riguardo alla sicurezza propria e degli altri.

Le attività principali sono le seguenti:

- 1) preparazione delle pareti, dei soffitti, delle finestre o di un'altra costruzione per il montaggio delle tende a rullo con uso dei trapani e cacciaviti portatili;
- 2) montaggio della tende a rullo alla parete o al soffitto;
- 3) collegamento all'alimentazione elettrica;
- 4) aggiustamento (degli arresti terminali / interruttori terminali dei motori, ecc.) e test della tende a rullo.

Preparazione del montaggio della tende a rullo

Prima del montaggio della tende a rullo, verificare se la superficie dell'area di montaggio non sia danneggiata e se sia adeguata per il montaggio. Scegliere le viti di fissaggio adeguate (tipo e dimensioni) corrispondenti al tipo della costruzione alla quale la tende a rullo verrà montata (legno, cemento, mattone).

Attenzione: L'installazione scorretta può comportare incidenti. Osservare le istruzioni per il corretto montaggio della tende a rullo al fine di prevenire il rischio che la tende a rullo si stacchi dalla parete o dalla finestra. La società ISOTRA a.s. non ha nessuna responsabilità per i guasti causati dallo scorretto montaggio.

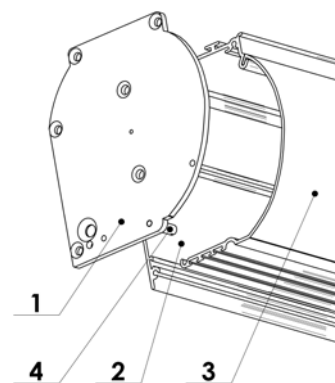
Montaggio della tende a rullo

Il procedimento del montaggio dipende dal tipo della tende a rullo:

- a) Cassetta fissa con cavetti: prima montare la cassetta alla parete o al soffitto e poi stendere i cavetti e attaccarli.
 - b) Cassetta fissa con lista di guida GC20: prima montare la cassetta alla parete o al soffitto e poi attaccare le liste di guida.
- La cassetta con la tende a rullo si possono montare al soffitto o con il montaggio frontale tramite speciali consolle di attacco.

Montaggio della cassetta superiore

La cassetta superiore si compone di tre parti: sponda (1), parte fissa (2) e parte staccabile (3). Se sarà necessario estrarre il cilindro d'avvolgimento, l'accesso dentro la cassetta superiore è possibile togliendo due viti (4) - una da ogni parte ed estraendo la parte staccabile della cassetta.



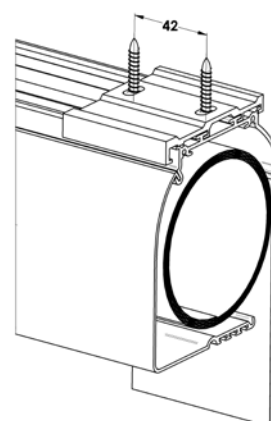
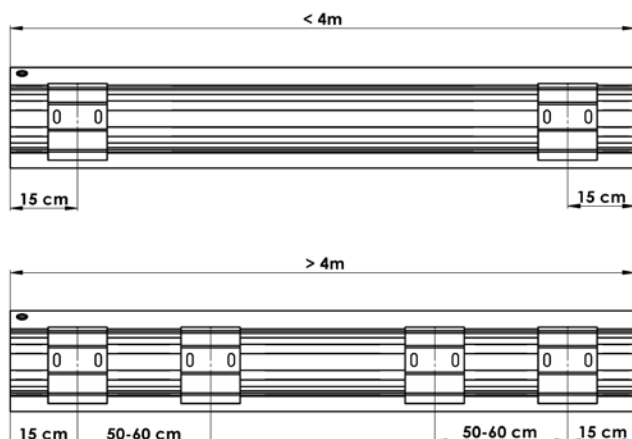
SCREEN GW

Montaggio al soffitto

Montaggio al soffitto

Segnare la posizione dei fori da trapanare, prendendo in considerazione i fattori seguenti:

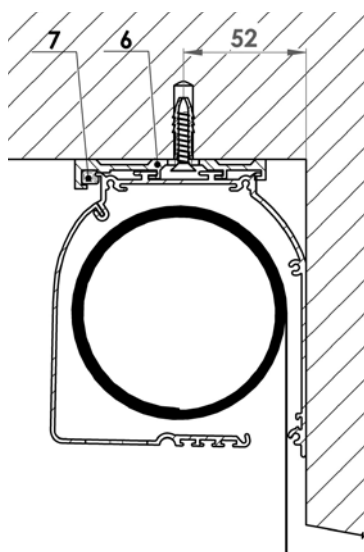
- nelle cassette superiori dalla larghezza di fino a 4,0 m bastano due consolle (6), che vanno montate a distanza di circa 15 - 20 cm da ogni estremità.
- nel caso di tende a rullo più larghe servono quattro consolle, sempre una a 15-20 cm da ogni estremità e l'altra a 20-60 cm da quella precedente.



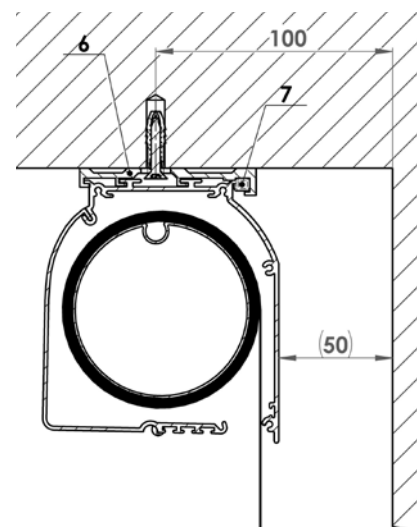
- se possibile, la distanza dalla parete dipende dal modo in cui la consolle viene montata, e cioè anche dalla posizione dei cunei (7):
 - cuneo davanti: **52 mm**
 - cuneo dietro: **100 mm**

Bisogna tenere in mente i seguenti fatti:

- il montaggio della consolle con viti / cunei di fissaggio orientati verso la stanza minimizza la distanza tra la cassetta superiore e la parete posteriore, ma la consolle rimane visibile e non ha un bell'effetto estetico;
- il montaggio della consolle con viti / cunei di fissaggio indietro è esteticamente più adeguato, ma richiede uno spazio di almeno 5 cm tra la parete posteriore e la cassetta superiore.



Montare le consolle (6) con aiuto di viti e pezzi adeguati per il tipo della costruzione alla quale si montano (costruzione di metallo, telaio della finestra o un altro materiale). Nei casi in cui si usano quattro consolle, garantire che le consolle siano perfettamente equilibrate ± 1 mm; ciò si può verificare, muovendo la cassetta lungo gli incavi prima di serrare le viti di fissaggio.



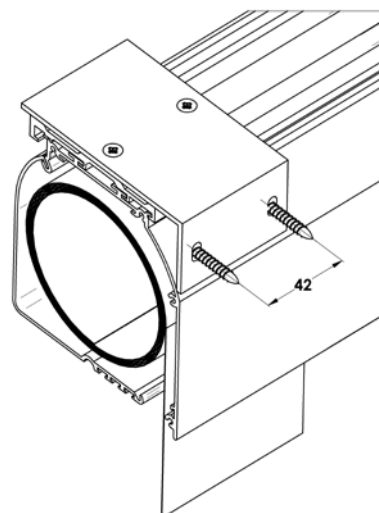
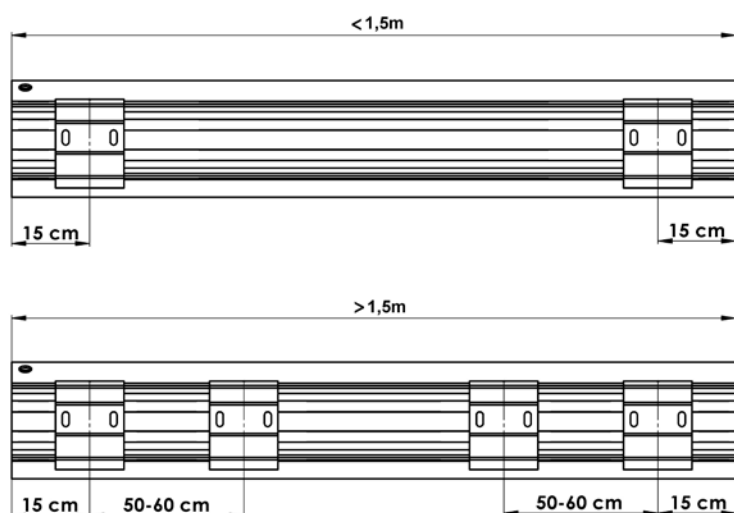
Inserire la cassetta superiore alle consolle (6) e muoverla longitudinalmente fino a centrarla nell'ambito dell'anta della finestra, e premere i cunei (7) per assicurare la cassetta nel suo posto.

SCREEN GW

Montaggio alla parete

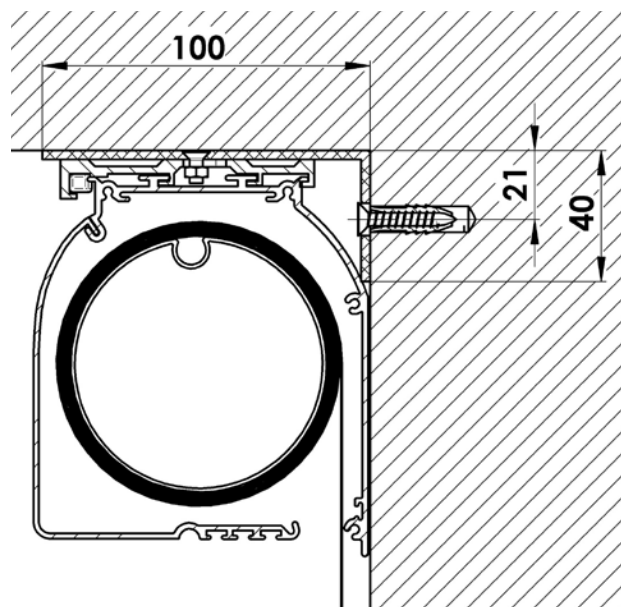
Montaggio alla parete

Segnare la posizione delle consolle „L” e dei fori da trapanare. Nel caso delle cassette superiori dalla larghezza di fino a **1,5 m** bastano due consolle che vanno montate a distanze di circa 15–20 cm da ogni estremità. Nel caso di tende a rullo più larghe servono altre consolle, sempre una a 15–20 cm da ogni estremità e l'altra a 50–60 cm da quella precedente.



Montare le consolle con aiuto delle viti e dei pezzi adeguati per il tipo della costruzione alla quale si montano (costruzione di metallo, telaio della finestra o un altro materiale) Nei casi

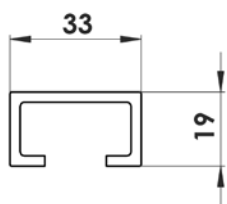
in cui si usano quattro consolle, garantire che le consolle siano perfettamente equilibrate ± 1 mm; ciò è possibile verificando, muovendo la cassetta lungo gli incavi prima di serrare le viti di fissaggio. Montare la cassetta alle consolle e muoverla longitudinalmente fino a centrarla nell'ambito dell'anta della finestra e premere i cunei per assicurare la cassetta nel suo posto.



SCREEN GW

Montaggio delle liste di guida

Montaggio delle liste di guida

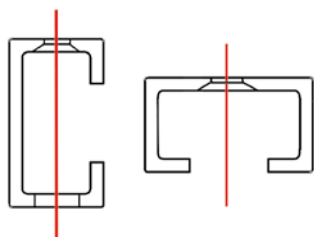


Prima montare la cassetta al soffitto / alla parete, poi montare le liste di guida.
Nel caso del modello GW è disponibile un solo modello delle liste di guida, e cioè il tipo GC20.

La lista si consegna con fori pretrapanati, secondo l'ordine, dalla fronte o dal lato.

I fori sono distribuiti sempre in questo modo:

- i fori esterni si trovano sempre a cca 10 cm dal bordo della lista
- i fori interni si trovano a ogni 50–80 cm parallelamente, lungo l'intera lista di guida

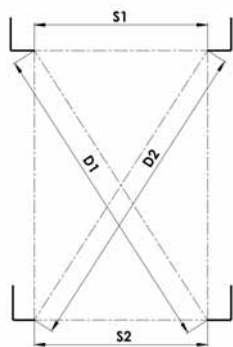


La linea rossa segnata indica l'asse verticale per le viti di montaggio. Usare le liste di guida pretrapanate come sagoma per la trasposizione della posizione dei fori alla parete dell'anta della finestra.

Avvitare le liste di guida alla parete con aiuto di viti e pezzi adeguati per il tipo della costruzione, alla quale si montano (costruzione di metallo, cemento, muratura, ecc.).

Finito il montaggio, verificare se le liste di guida siano parallele e rettangolari. Ciò si può fare misurando due distanze „S1” e „S2” o le diagonali „D1” e „D2”. Le dimensioni devono essere uguali $\pm 2\text{mm}$. La posizione corretta delle liste di guida è indispensabile, altrimenti può essere danneggiata la funzione della tende a rullo.

Nel caso del montaggio frontale della lista di guida vengono consegnati i coperchi autoadesivi per coprire i fori delle viti di fissaggio.

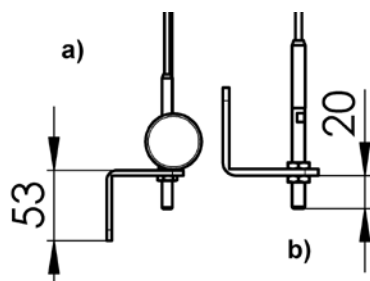


SCREEN GW

Montaggio dei cavetti

Montaggio dei cavetti

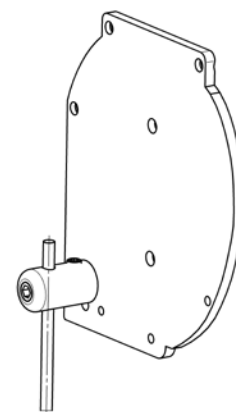
I cavetti in acciaio di $\varnothing 4$ mm vengono consegnati tagliati a lunghezza corrispondente con il terminale filettato prestampato. La configurazione precisa dei cavetti si può distinguere, secondo il progetto concreto. Montata la cassetta superiore, infilare il cavetto tramite il cilindretto di fissaggio alla sponda e serrare con la vite.



Le consolle inferiori possono essere montate ai lati o dalla fronte, mentre il profilo „L” può essere orientato verso il basso (a) o verso l’alto (b).

NB: La scelta del punto di montaggio per le consolle deve essere fatta ancora prima di ordinare le tende a rullo perché tale posizione determina la lunghezza del cavetto.

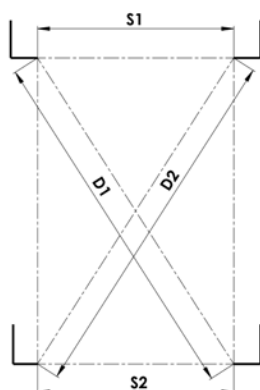
Se si montano le consolle in direzione verso l’alto (b), lasciare almeno 20 mm tra la consolle e il pavimento o il davanzale della finestra.



Avvitare le consolle alla parete con aiuto di viti e pezzi adeguati per il tipo della costruzione, alla quale si montano (costruzione di metallo, cemento, muratura, ecc.). Se necessario, ingrandire la rientranza della consolle dalla parete con aiuto di rondelle. Il cavetto va sempre disteso e tenuto affinché non si contorca.

NOTA

Verificare se i quattro punti di fissaggio dei cavetti siano paralleli e rettangolari. Ciò si può fare misurando le due distanze „S1” e „S2” o le due diagonali „D1” e „D2”. Le dimensioni devono essere uguali ± 1 mm.



SCREEN GW

Montaggio della manovella

Montaggio della manovella attraverso la parete

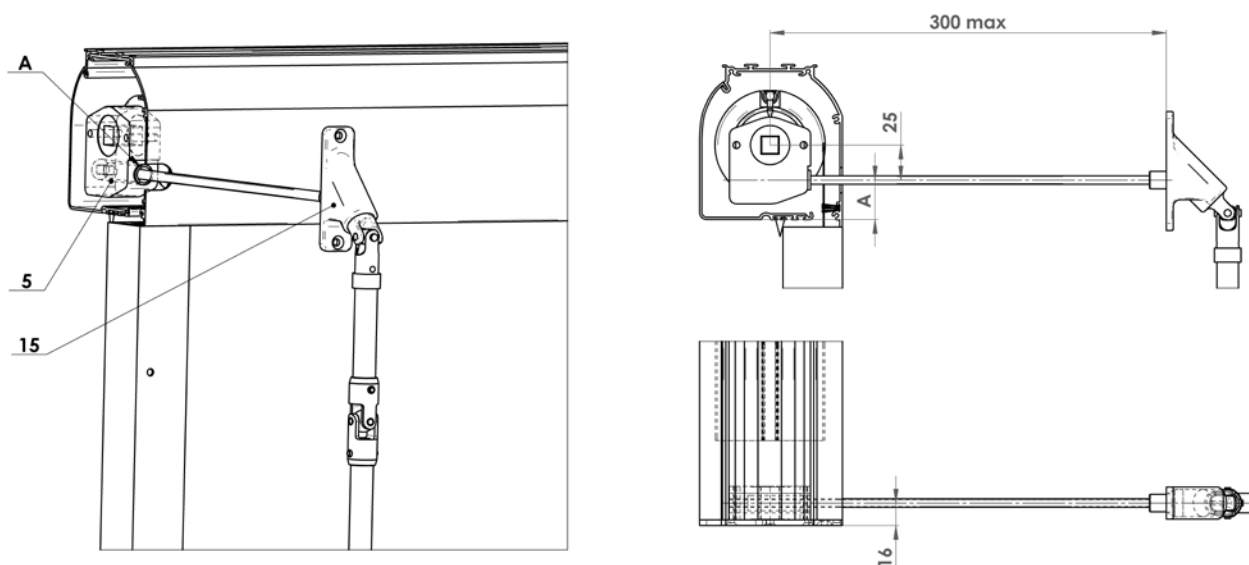
Manovella – variante con l'isolatore passante (pezzi)

Nel caso della tende a rullo esterna montata con l'isolatore passante attraverso la parete e l'asta di manovella negli interni bisogna prima calcolare attentamente la posizione del foro per l'asta quadrata dalla lunghezza di 30 cm (15).

Montare le consolle alla parete o al soffitto e installare la tende a rullo al suo posto. Segnare con la matita la posizione dell'angolo inferiore della cassetta alla parete o al telaio della finestra. Estrarre la tende a rullo dalle consolle di montaggio e misurare la distanza dall'angolo inferiore della cassetta al centro del foro (A) nella parte posteriore della cassetta (che serve a inserire l'asta quadrata per il comando del sistema della trasmissione). Segnare la stessa distanza alla parete, definendo così il centro del foro da trapanare.

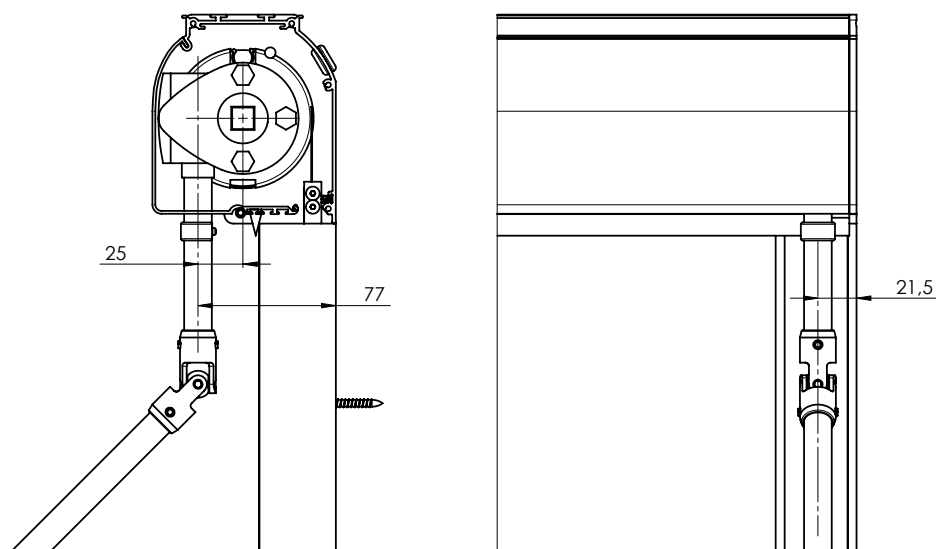
Trapanare con prudenza il foro attraverso la parete, con aiuto della punta dal diametro di 8 mm. E' importante che il foro sia il più orizzontale possibile.

Reinstallare la tende a rullo e inserire dagli interni, attraverso la parete, l'isolatore passante, al fine di verificare la corretta posizione del foro. Poi l'asta quadrata va tagliata con una seghetta alla corretta lunghezza. La sua lunghezza dipende dallo spessore della parete.

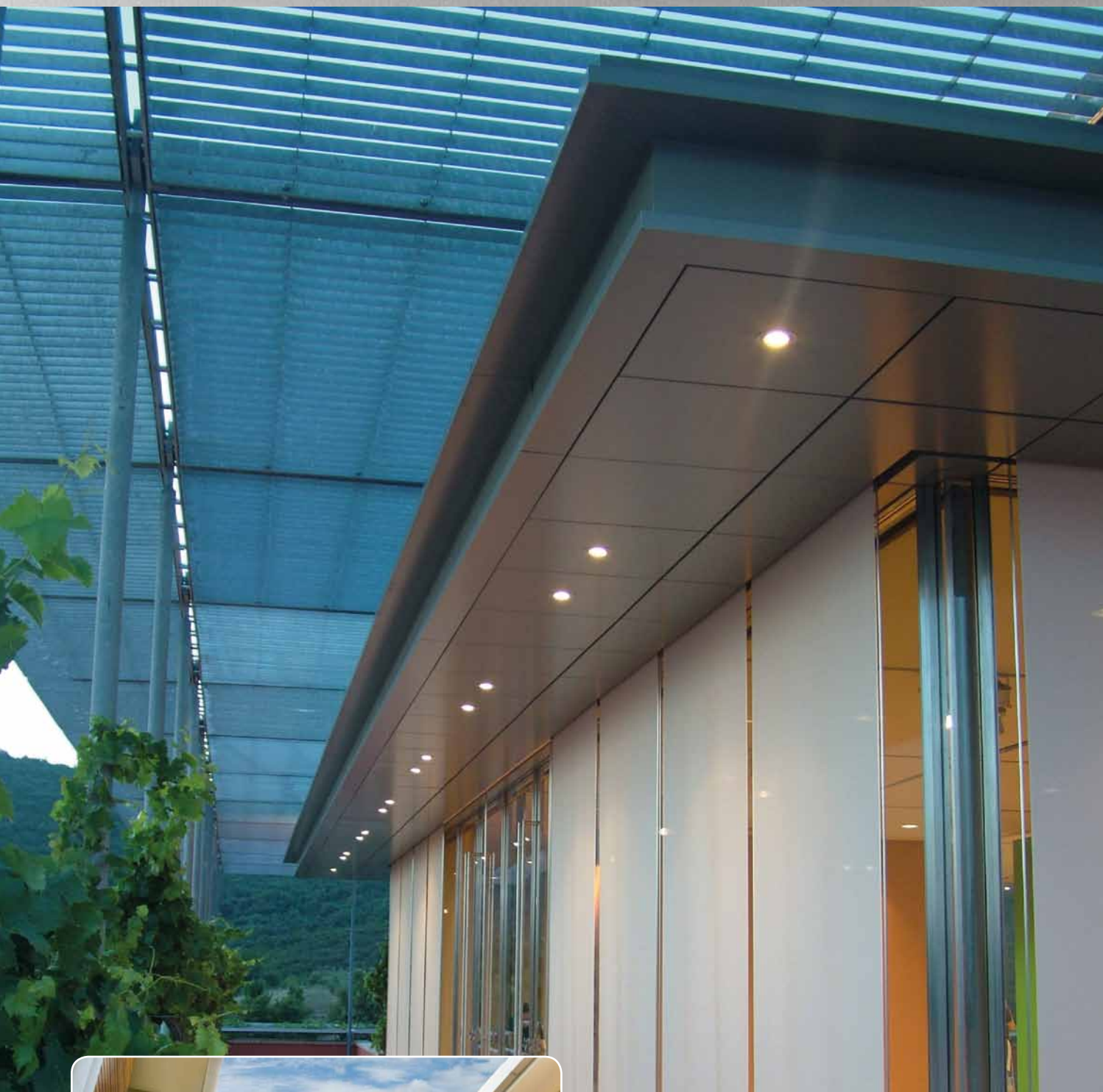


Manovella – variante diretta (K)

Manovella collegata con la tende a rullo già a consegna



SCREEN LITE

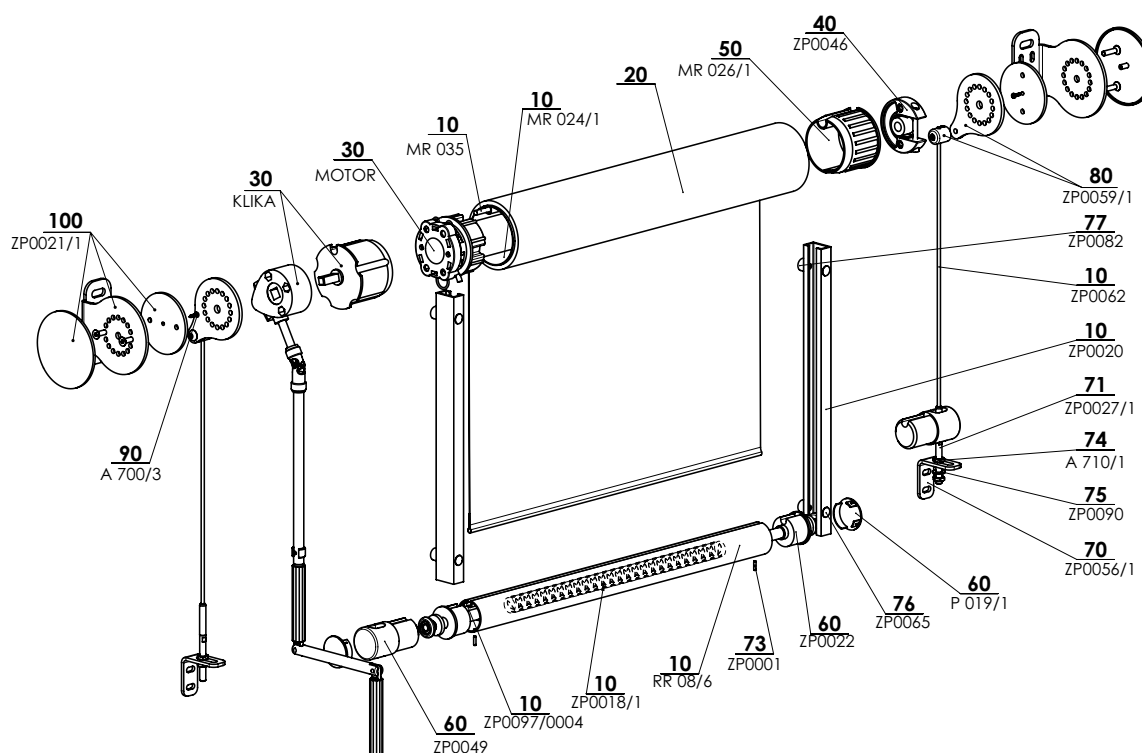


- ▲ Variante alleggerita senza il profilo di protezione,
- ▲ alternativa di prezzo accessibile per i modelli SCREEN ZIP e SCREEN GW,
- ▲ oscuramento delle superfici interne ed esterne,
- ▲ guida laterale tramite il cavetto o la lista di guida,
- ▲ possibilità di comando elettrico,
- ▲ Classe resistenza al vento 3.

ISOTRA *Quality*

SCREEN LITE

Specificazione base del prodotto



Comando




2-01395-0000-A

Serve a tirare la tende a rullo screen su e giù.

Manovella - l'inserimento del meccanismo di comando ad asta negli interni si fa sotto l'angolazione tra 45° e 90° con aiuto dell'isolatore passante e l'asta esagonale. (Versione cromatica: grigio / elox)

Motore - possibilità di comando con aiuto del sensore sole / vento, eventualmente tramite il telecomando o l'interruttore.

Specificazione

	Tubo	Profilo inferiore	Guida laterale		Montaggio
			lista di guida	cavetto	
Denominazione commerciale	MR 024/1	FD 42	GC20	ZP0062	al soffitto (al vano della finestra) alla parete (davanti al vano della finestra)
Dimensioni (mm)	Ø 78 mm	Ø 42 mm	33x19 mm	Ø 4 mm	
Materiale	Fe	Al	Al	Fe	
					
Colore	grigio	Standard: RAL 9006 alluminio brillante RAL 9007 alluminio grigiastro RAL 9010 bianco puro	RAL 7016 grigio antracite RAL 7016 grigio antracite struttura RAL 8014 marrone seppia altri colori RAL su richiesta*	grigio	

*eccetto i pezzi in plastica, larghezza massima 4000 mm

Versioni atipiche non si producono.

Dimensioni standard

Versione	Larghezza (mm)		Altezza (mm)		Area garantita (m ²)
	min.	max.	min.	max.	
manovella	500	4000	500	3800	15,2
motore	800	4500	500	4000	18

Fenomeni comuni di tessuti tecnici

Un'increspatura del tessuto pu  apparire intorno alle saldature o nel centro del tessuto perch  durante l'uso agiscono sul tessuto varie forze e perci  tale fenomeno   comune. Ne fa parte anche il cosiddetto "effetto da abete" quando il tessuto   increspato nella zona di cuciture. Dei visibili segni di pressione da parte del cilindro sul tessuto spariscono con temperature superiori, quando il tessuto si ripiana.

La lista inferiore non arriva fino al box.

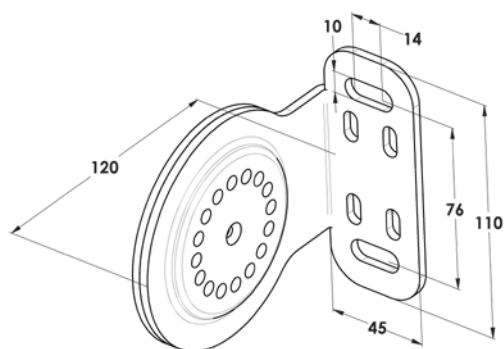
SCREEN LITE (2-01395-0000)

posizione	denominazione item	Denominazione commerciale	numero del disegno
10	Lista inferiore Al - FD 42 grezzo	RR 08/6	6-009147-0000
10	Carico screen rotondo (zinco resistente al caldo)	ZP0018/1	3-02880-PU27
10	Asta in plastica 4,0 mm PVC	ZP0097/0004	6-016911-0004
10	Cilindro d'avvolgimento della tenda da sole diam. 78 mm - 6 m	MR 024/1	6-011084-0078
10	Asta in plastica 6,0mm PVC	ZP0097/0006	6-016911-0006
10	Cavetto in acciaio 4mm	ZP0062	6-011492-0000
10	Lista di guida GC20 grezza	ZP0020	6-008727-0000
20	Tessuto screen		vedi il campionario SCREEN
30	Motori (SOMFY, BECKER) screen		vedi Comando
30	La trasmissione + manovella per screen		vedi Comando
40	Supporto Al con boccola set per il motore	ZP0046	6-009209-0000
50	Tappo del cilindro diam. 78mm con perno	MR 026/1	6-011086-0078
60	Terminale della lista inferiore FD 42 (lista di guida) nero	ZP0022	6-008736-0030
60	Terminale screen nero	ZP0049	3-02208-9004
60	Coperchio della lista di guida diam. 40	P 019/1	3-01849-9006
70	Squadretta del cavetto tenditore - INOX, non verniciato	ZP0056/1	3-02431-0000
71	Vite tenditrice	ZP0027/1	3-02430-0000
73	Cavicchio elastico 3x12 DIN 7346	ZP0001	6-009807-0000
74	Dado basso M8 in acciaio inossidabile DIN 439B A2	A 710/1	6-010705-0000
75	Rondella M8, DIN 125-A1, A2	ZP0090	6-009997-0002
76	Coperchio autoadesivo 606-172-13 alluminio brillante RAL9006	ZP0065	6-011520-0000
77	Rondella di montaggio - profilo di guida GC20	ZP0082	7-302422-0000
80	Supporto del cavetto per consolle rotonda - set + coppia RAL	ZP0059/1	2-01009-PU11
90	Vite di fissaggio del coperchio M4	A 700/3	7-303030-0000
100	Consolle rotonda - set + coppia RAL	ZP0021/1	2-01002-PU11

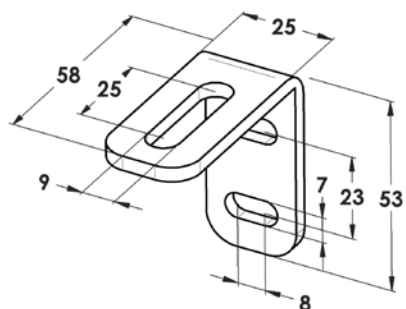
SCREEN LITE

Specificazione tecnica

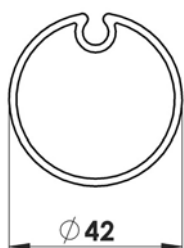
Consolle (2-01002)



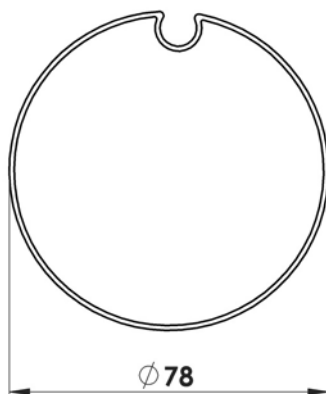
Supporto del cavetto in acciaio (3-02431) - INOX, non verniciato



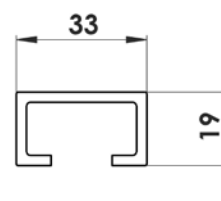
Profilo inferiore FD 42 (RR 08/6, 6-009147)



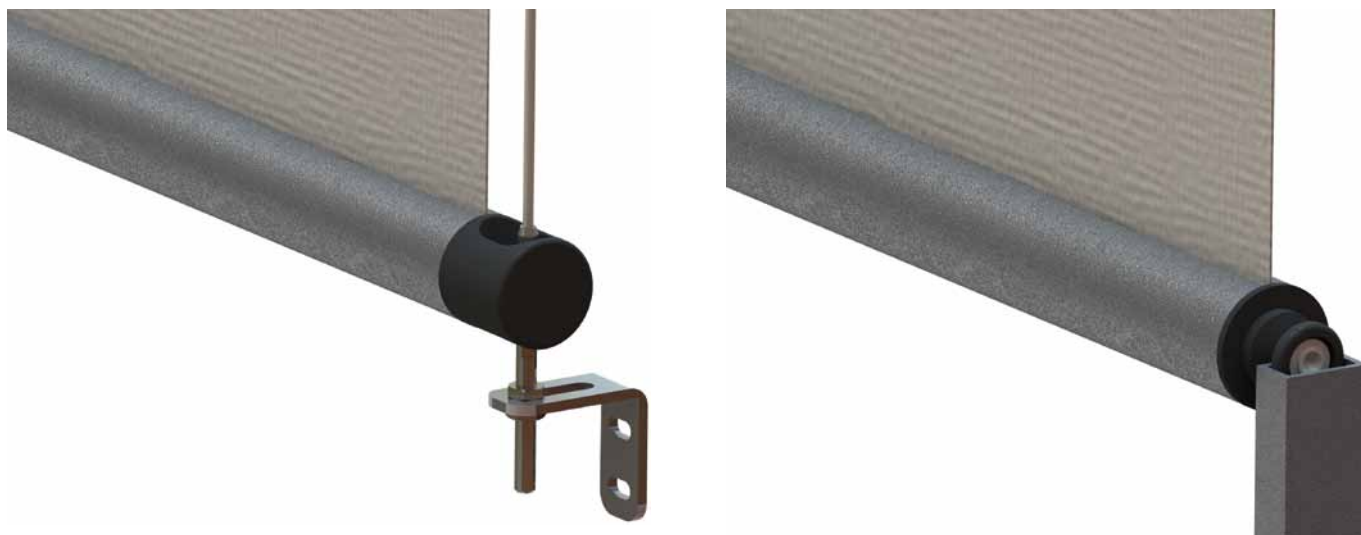
Cilindro d'avvolgimento (6-011084)



Lista di guida GC 20 (6-008727)



Varianti della guida laterale



SCREEN LITE

Misurazione e montaggio

Istruzioni per la misurazione

Le tende a rullo SCREEN LITE si possono collocare sia nel vano della finestra sia davanti ad esso, con il montaggio al soffitto o alla parete.

La larghezza e l'altezza della tende a rullo screen vanno misurate in modo seguente:

Š (larghezza)

a) attacco nel vano

Si misura la reale larghezza del vano della finestra, e in particolare in tre punti; nel modulo d'ordine va indicato il minimo valore misurato.

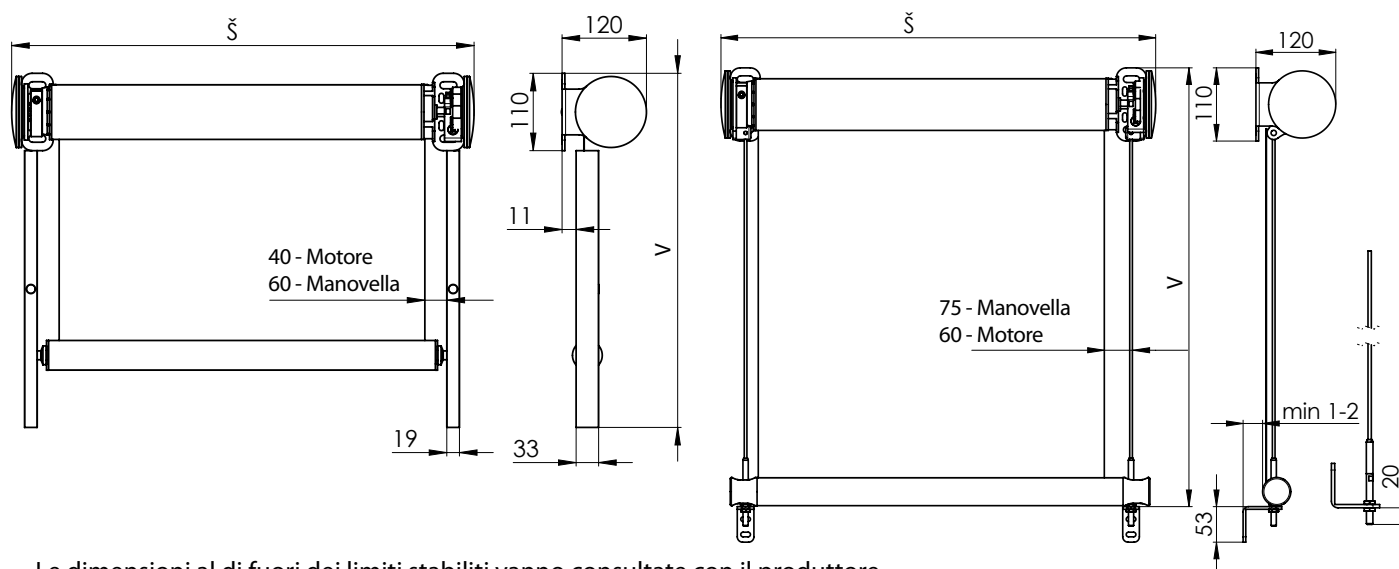
b) attacco al vano

Nel modulo d'ordine si indica di regola la larghezza del vano che dovrà essere oscurato dalla tende a rullo.

Le dimensioni al di fuori dei limiti stabiliti vanno consultate con il produttore.

V (altezza)

Si misura l'altezza totale, compresi il profilo superiore e il supporto della tende a rullo.



Le dimensioni al di fuori dei limiti stabiliti vanno consultate con il produttore.

Maggiori informazioni nel documento separato **Istruzioni di misurazione e montaggio**.

Montaggio

Il montaggio delle tende a rullo può essere effettuato soltanto dal personale qualificato capace di osservare debitamente le istruzioni indicate sotto con riguardo alla sicurezza propria e degli altri.

Le principali attività sono le seguenti:

- 1) preparazione delle pareti, dei soffitti o di un'altra costruzione per il montaggio delle tende a rullo con uso dei trapani e cacciaviti portatili;
- 2) montaggio della tende a rullo alla parete o al soffitto;
- 3) collegamento all'alimentazione elettrica;
- 4) aggiustamento (degli arresti terminali / interruttori terminali del motore ecc.) e test della tende a rullo.

Preparazione del montaggio della tende a rullo

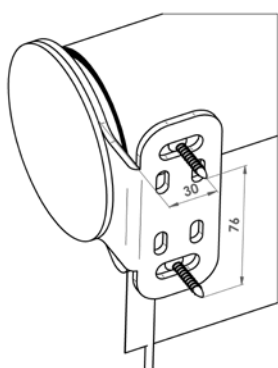
Prima del montaggio della tende a rullo verificare se la superficie dell'area di montaggio non sia danneggiata e se è adeguata per il montaggio. Scegliere le viti di fissaggio adeguate (tipo e dimensioni) corrispondenti al tipo della costruzione, alla quale la tende a rullo verrà montata (legno, cemento, mattone ecc.).

Attenzione: La scorretta installazione può comportare incidenti. Rispettate le istruzioni per il corretto montaggio della tende a rullo, al fine di prevenire il rischio che la tende a rullo si stacchi dalla parete o dalla finestra. La società ISOTRA a.s. non ha nessuna responsabilità per i guasti causati dal montaggio scorretto.

SCREEN LITE

Montaggio

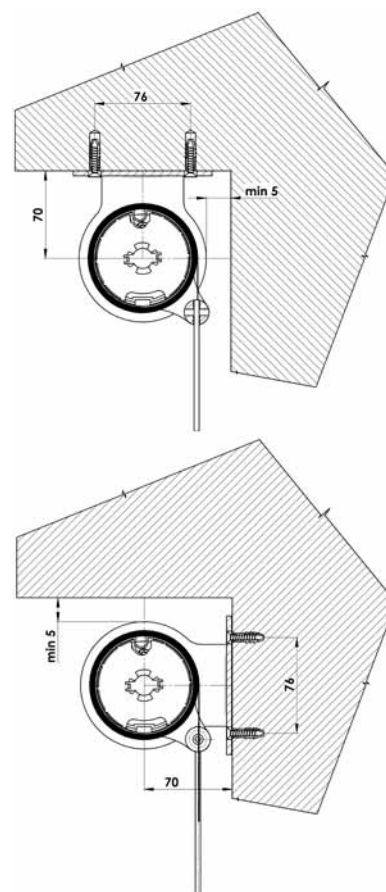
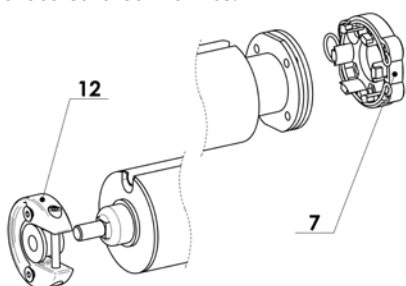
Montaggio della tende a rullo al soffitto o alla parete



Il montaggio della tende a rullo screen al soffitto va iniziato con la misurazione della posizione dei fori di attacco delle consolle portanti.

La distanza delle viti dal bordo della tende a rullo dovrebbe essere di 30 mm. La spaziatura tra le viti è di 76 mm. Tra la parete o il soffitto e la consolle portante bisogna lasciare uno spazio di almeno 5 mm così come si vede nella figura. La correttezza della misurazione può essere ancora riverificata prima di trapanare, accostando la tende a rullo in stato assemblato. I fori vanno trapanati e poi va montata la consolle portante. Inserire alle consolle attaccate la massa avvolta della tende a rullo e fissare.

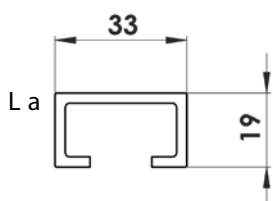
La massa avvolta si inserisce dalla parte del motore nel supporto HiPro (7) e si assicura con un fermaglio e, dalla parte opposta, si inserisce nella boccola di plastica (12) e si assicura con la vite.



SCREEN LITE

Montaggio delle liste di guida

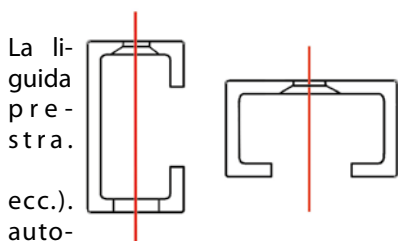
Montaggio delle liste di guida



Prima montare la cassetta al soffitto / alla parete, dopo vanno montate le liste di guida. Nel caso del modello SCREEN LITE è disponibile un solo modello delle liste di guida, e cioè il tipo GC20. lista si consegna con fori pretrapanati, secondo l'ordine, dalla fronte o ai lati.

I fori vengono sempre distribuiti in questo modo:

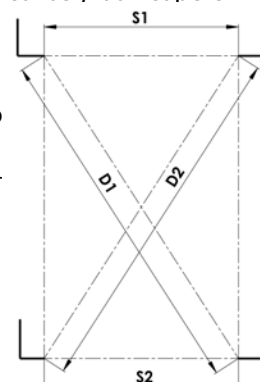
- i fori esterni si trovano a cca 10cm dal bordo della lista
- i fori interni si trovano a ogni 50-80cm parallelamente lungo l'intera lista di guida



nea rossa segnata indica l'asse verticale per le viti di montaggio. Usare le liste di

trapanate come sagoma per la trasposizione dei fori alla parete dell'anta della fine- Avvitare le liste di guida alla parete con aiuto di viti e pezzi adeguati per il tipo della costruzione, alla quale si montano (costruzione di metallo, cemento, muratura, Nel caso del montaggio frontale della lista di guida vengono consegnati i coperchi adesivi per coprire i fori delle viti di fissaggio.

Finito il montaggio, verificare se le liste di guida siano parallele e rettangolari. Ciò si può fare misurando le due distanze „S1” e „S2” o le diagonali „D1” e „D2”. Le dimensioni devono essere uguali ± 2 mm. La corretta posizione delle liste di guida è indispensabile, altrimenti può essere danneggiata la funzionalità della tende a rullo.

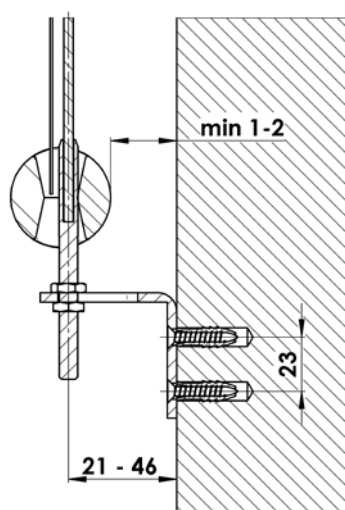
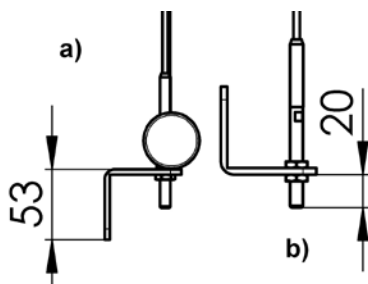


SCREEN LITE

Montaggio dei cavetti

Montaggio dei cavetti

I cavetti in acciaio di $\varnothing 4$ mm vengono consegnati tagliati alla lunghezza corrispondente con il terminale filettato prestampato. La configurazione precisa dei cavetti si può distinguere secondo il concreto progetto. Montate le consolle portanti, infilare il cavetto tramite il cilindretto di fissaggio alla sponda e assicurare con la vite.



Le consolle inferiori possono essere montate ai lati o dalla fronte, mentre il profilo „L” può essere orientato verso il basso (a) o verso l'alto (b).

NB: La scelta del punto per il montaggio delle consolle deve essere effettuata ancora prima di ordinare le tende a rullo, perché tale posizione definisce la lunghezza del cavetto.

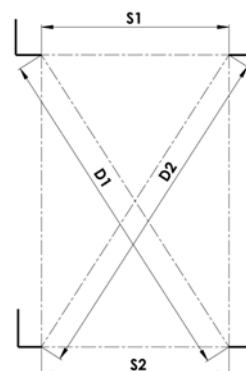
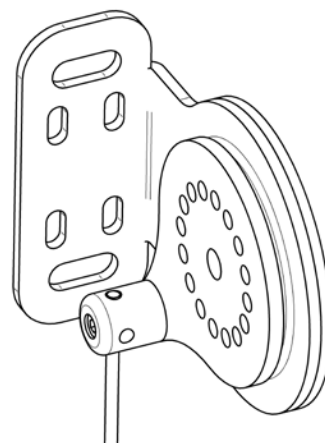
Se le consolle vengono montate in direzione verso l'alto (b), bisogna lasciare uno spazio di almeno 20 mm tra la consolle e il pavimento o il davanzale della finestra.

Avvitare le consolle alla parete con aiuto delle viti e dei pezzi adeguati per il tipo della costruzione alla quale si montano (costruzione di metallo, cemento, muratura, ecc.).

Il profilo inferiore dovrebbe essere spaziato dalla parete o dalla finestra di almeno 1-2mm, affinché non avvenga un reciproco danneggiamento durante l'andamento. Se necessario, ingrandire la rientranza della consolle dalla parete, con aiuto di rondelle. Durante il distendimento, il cavetto va sempre tenuto al fine di non contorcersi.

NOTA

Verificare se i quattro punti di fissaggio dei cavetti siano paralleli e rettangolari. Ciò si può fare, misurando le due distanze „S1” e „S2” o le diagonali „D1” e „D2”. Le dimensioni devono essere uguali ± 1 mm.



SCREEN LITE

Montaggio della manovella

Montaggio della manovella attraverso la parete

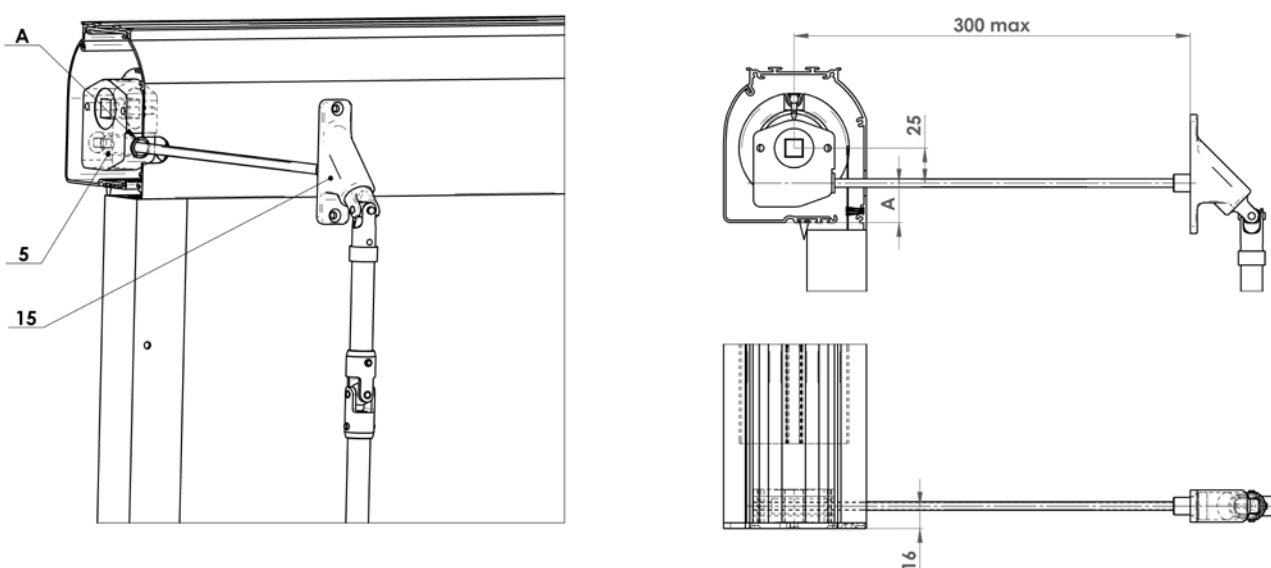
Manovella – variante con l'isolatore passante (pezzi)

Nel caso della tende a rullo esterna montata con l'isolatore passante attraverso la parete e l'asta della manovella negli interni bisogna prima calcolare attentamente la posizione del foro per l'asta quadrata dalla lunghezza di 30 cm (15).

Montare le consolle alla parete o al soffitto e installare la tende a rullo al suo posto. Segnare con una matita la posizione dell'angolo inferiore della cassetta alla parete o al telaio della finestra. Estrarre la tende a rullo dalle consolle di montaggio e misurare la distanza dall'angolo inferiore della cassetta al centro del foro (A) nella parte posteriore della cassetta (che serve a inserire l'asta quadrata per il comando del sistema della trasmissione). Segnare la stessa distanza alla parete, definendo così il centro del foro da trapanare.

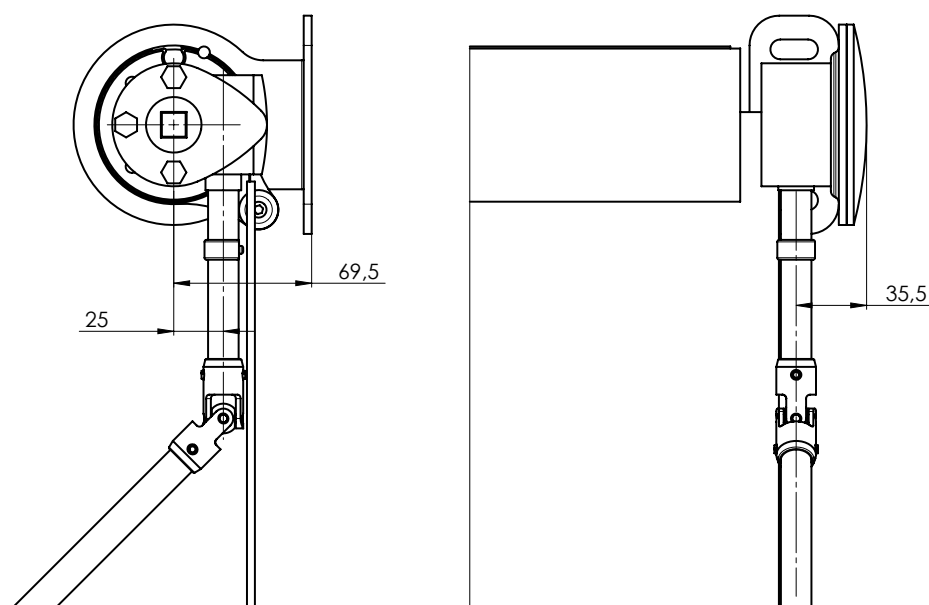
Trapanare con prudenza il foro attraverso la parete con aiuto della punta dal diametro di 8 mm. E' importante che il foro sia il più orizzontale possibile.

Reinstallare la tende a rullo e inserire dagli interni, attraverso la parete, l'isolatore passante, al fine di verificare la corretta posizione del foro. Dopo l'asta quadrata va tagliata con una seghetta alla corretta lunghezza. La sua lunghezza dipende dallo spessore della parete.



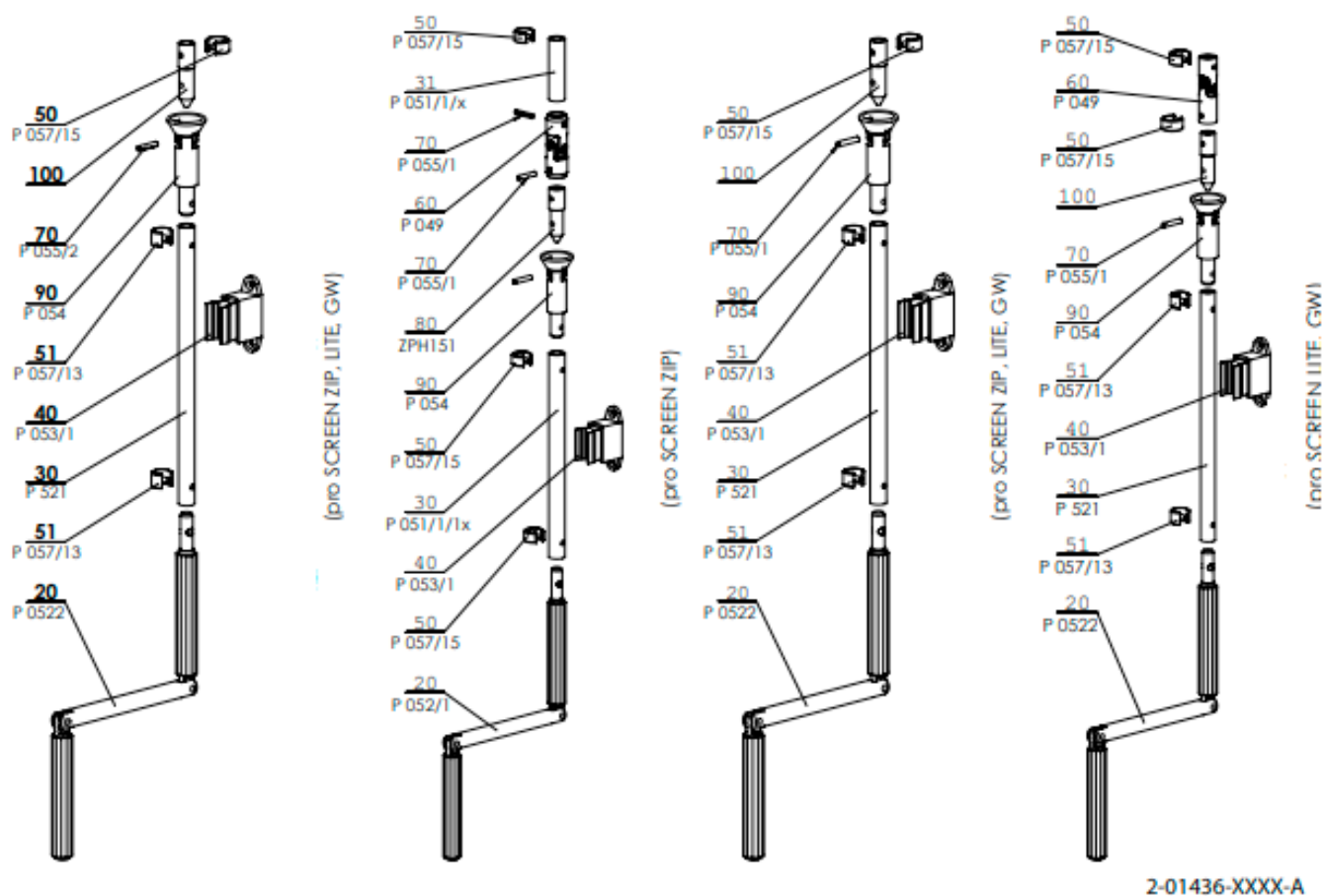
Manovella – variante diretta (K)

Manovella collegata con la tende a rullo già a consegna



SCREEN ZIP, GW, LITE

Comando a manovella



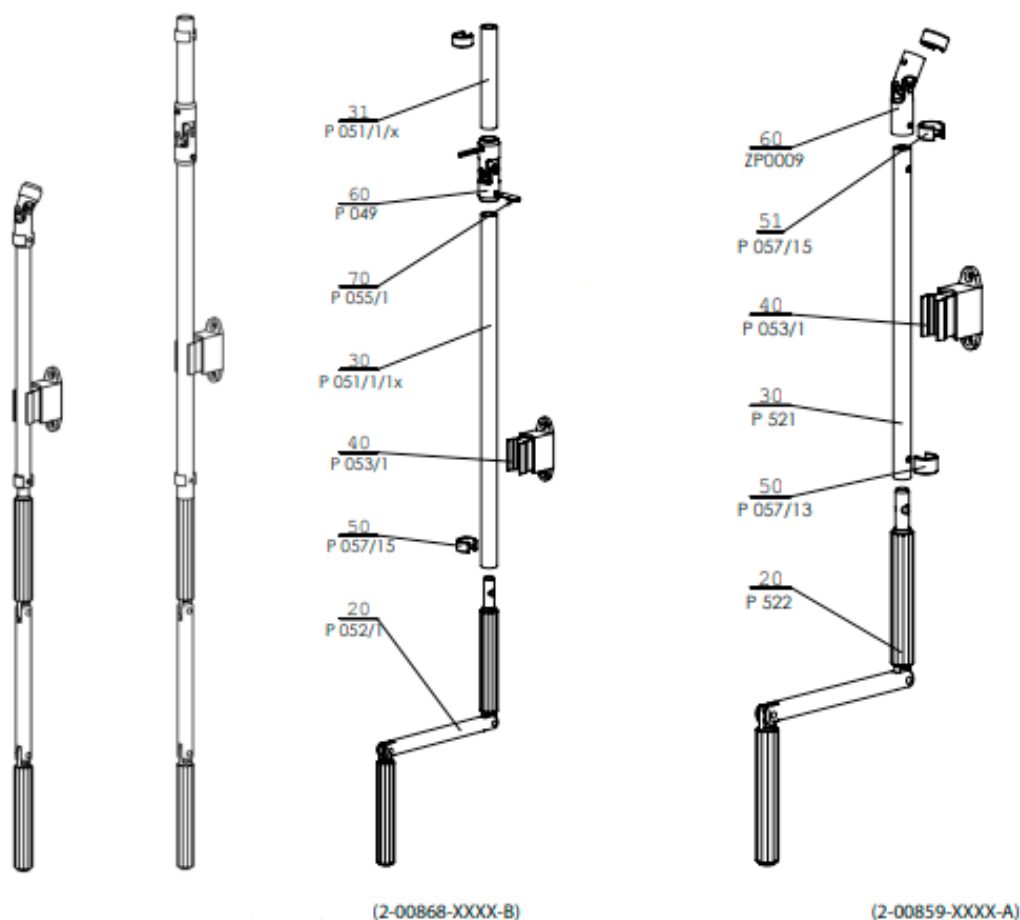
2-01436-XXXX-A

Manovella completa staccabile per SCREEN (2-01436-XXXX-0)

posizione	denominazione item	Denominazione commerciale	numero del disegno
20	Manovella piegante Al – diametro 12 mm grigia	P 052/1	6-006682-0000
20	Manovella piegante Al – diametro 10 mm grigia	P 522	6-001255-0000
30,31	Tubo di manovella Al – diametro 15 mm elox	P 051/1/X	7-301797-PU52
30	Tubo di manovella Al – diametro 13 mm elox	P 521	6-001254-0000
40	Supporto della manovella – universale grigio	P 053/1	6-006683-7045
50	Anello di fissaggio con perno 15 mm grigio	P 057/15	6-006467-7035
53	Anello di fissaggio con perno 13 mm grigio	P 057/13	6-006468-7035
60	Cardano del tubo di collegamento 15 mm	P 049	6-001182-0000
70	Cavicchio elastico 4x22 Din 1481	P 055/1	6-004581-0000
80	Adattamento – cardano	ZPH151	6-014318-0000
90	Imbuto della manovella quadrangolare	P 054	6-001190-0000
100	Perno per la manovella		3-03287-0000

SCREEN ZIP

Comando a manovella

**Manovella completa per SCREEN ZIP (2-00868-XXXX-B)**

posizione	denominazione item	Denominazione commerciale	numero del disegno
20	Manovella piegante Al – diametro 12 mm grigia	P 052/1	6-006682-0000
30,31	Tubo di manovella Al – diametro 15 mm elox	P 051/1/X	7-301797-PU52
40	Supporto della manovella – universale grigio	P 053/1	6-006683-7045
50	Anello di fissaggio con perno 15 mm grigio	P 057/15	6-006467-7035
60	Cardano del tubo di collegamento 15 mm	P 049	6-001182-0000
70	Cavicchio elastico 4x22 Din 1481	P 055/1	6-004581-0000

Manovella completa per SCREEN GW, LITE (2-00859-XXXX-A)

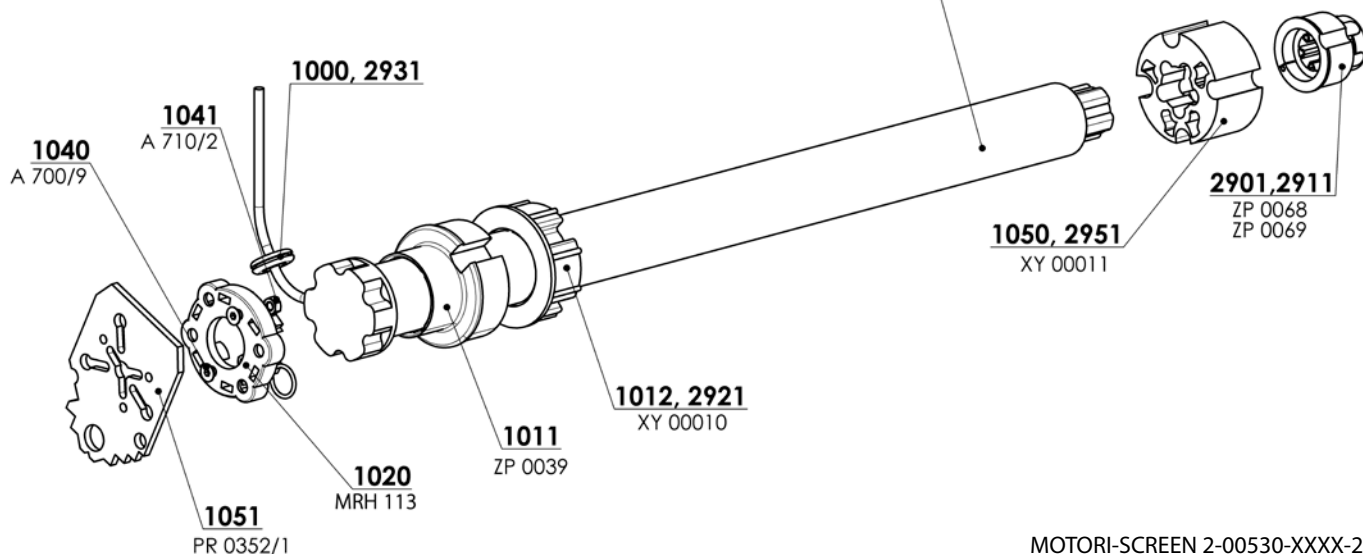
posizione	denominazione item	Denominazione commerciale	numero del disegno
20	Manovella piegante Al – diametro 10 mm grigia	P 522	6-001255-0000
30	Tubo di manovella Al – diametro 13 mm elox	P 521	6-001254-0000
40	Supporto della manovella – universale grigio	P 053/1	6-006683-7045
50	Anello di fissaggio con perno 13 mm grigio	P 057/13	6-006468-7035
51	Anello di fissaggio con perno 15 mm grigio	P 057/15	6-006467-7035
60	Giunto della manovella a croce 13 mm	ZP0009	6-009181-0000
70	Cavicchio elastico 4x22 Din 1481	P 055/1	6-004581-0000

SCREEN ZIP, ZIP ECONOMY, GW, LITE

Comando a motore

30, 101 - 803, 2501 - 2601

MOTORE



MOTORI-SCREEN 2-00530-XXXX-2

posizione	denominazione item	Denominazione commerciale	numero del disegno
1	Motore ALTUS 50 RTS 06/17	MR 091/06	6-011170-0006
102	Motore ALTUS 50 RTS 10/17	MR 091/10	6-011170-0010
103	Motore ALTUS 50 RTS 15/17	MR 091/15	6-011170-0015
201	Motore Sunea 50 Screen io 06/17	ZP0084	6-012559-0617
202	Motore Sunea 50 Screen io 10/17	ZP0085	6-012559-1017
203	Motore Sunea 50 Screen io 15/17	ZP0086	6-012559-1517
301	Motore MAESTRIA +50 IO 06/17 VVF5M	ZP0084/1	6-012538-0617
302	Motore MAESTRIA +50 IO 10/17 VVF5M	ZP0085/1	6-012538-1017
303	Motore MAESTRIA +50 IO 15/17 VVF5M	ZP0086/1	6-012538-1517
401	Motor MAESTRIA WT+50 WT 06/17	ZP0093/06	6-015258-0617
402	Motor MAESTRIA WT+50 WT 10/17	ZP0093/10	6-015258-1017
403	Motor MAESTRIA WT+50 WT 15/17	ZP0093/15	6-015258-1517
1011	Adattatore del motore diam. 78 ZIP	ZP0039	3-03084-0000
1020	Supporto del motore	MRH 113	6-013871-0000
1040	Vite a brugola con testa accecata M6x12 Zn DIN 7991	A 700/9	6-003511-0000
1041	Dado M6 DIN 934, 8,8, Zn	A 710/2	6-003188-0005
1050	Trascinatore LT50 pro DS78	XY 00011	6-009120-0002
1051	Attacco del motore SCREEN	PR0352/1	3-02962-0000
1052	Vite M5x16 Zn DIN 965-H, 4,8, accecata-a croce	A 700/10	6-003595-0000
1053	Vite a brugola con testa accecata M6x22 A2 DIN 7991		6-013675-0000
2901	Riduzione LS40/LT50	ZP0068	6-001594-0000
2911	Riduzione della testa della propulsione LS40/LT50	ZP0069	6-001595-0000
2921	Adattatore LT50 per DS78	XY 00010	6-009120-0001
2931	Isolatore passante del cavo in plastica, nero		6-017078-0000

Motori (Becker) Screen ALFA-ZIP (6-015258 / 6-012538 / 6-002624 / 6-014483)

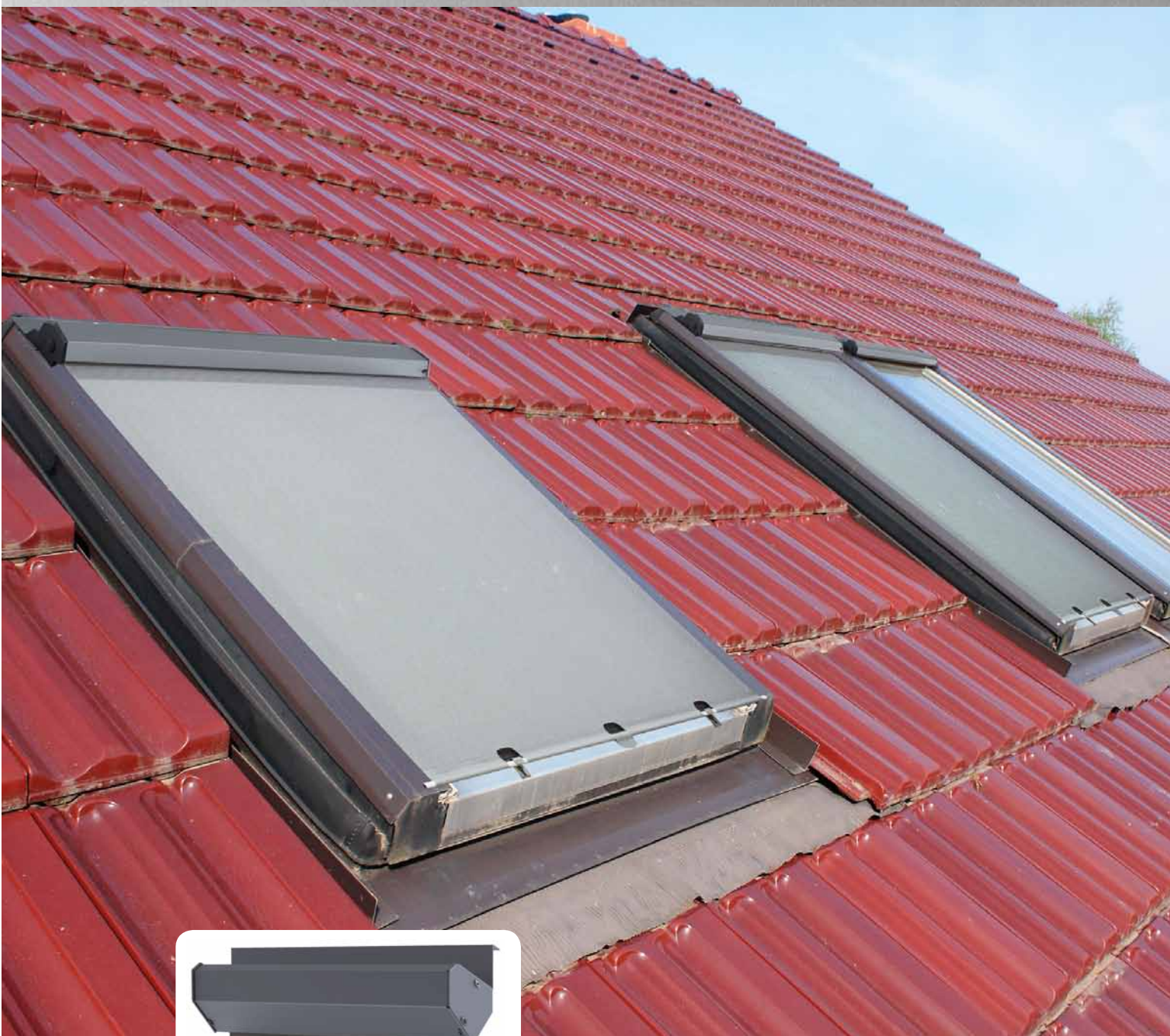
posizione	denominazione item	Denominazione commerciale	numero del disegno
30	Motore BECKER 50 E 08/17	X.2010/1301590	6-017861-0008
30	Motore BECKER 50 E 12/17	X.2010/1301600	6-017861-0012
30	Motore BECKER 50 E 20/17	X.2010/1301450	6-017861-0020
500	Motore BECKER 50 Screen C 08/17PLUS	X.2010/1302170	6-018761-0008
500	Motore BECKER 50 Screen C 12/17PLUS	X.2010/1302180	6-018761-0012
500	Motore BECKER 50 Screen C 20/17PLUS	X.2020/1301860	6-018761-0020

* Nota: E = elettronico motore / C = radio motore

Motori (ISOTRA BASIC) SCREEN ZIP, GW, LITE, ZIP ECONOMY

posizione	denominazione item	Denominazione commerciale	numero del disegno
600	Motore ISOTRA BASIC, 10Nm/17, con ricevitore integrato, SC zip	X.AM45 10/17S	6-019173-0010
600	Motore ISOTRA BASIC, 15Nm/17, con ricevitore integrato, SC zip	X.AM45 15/17S	6-019173-0015
600	Motore ISOTRA BASIC, 20Nm/17, con ricevitore integrato, SC zip	X.AM45 20/17S	6-019173-0020

SCREEN SKY

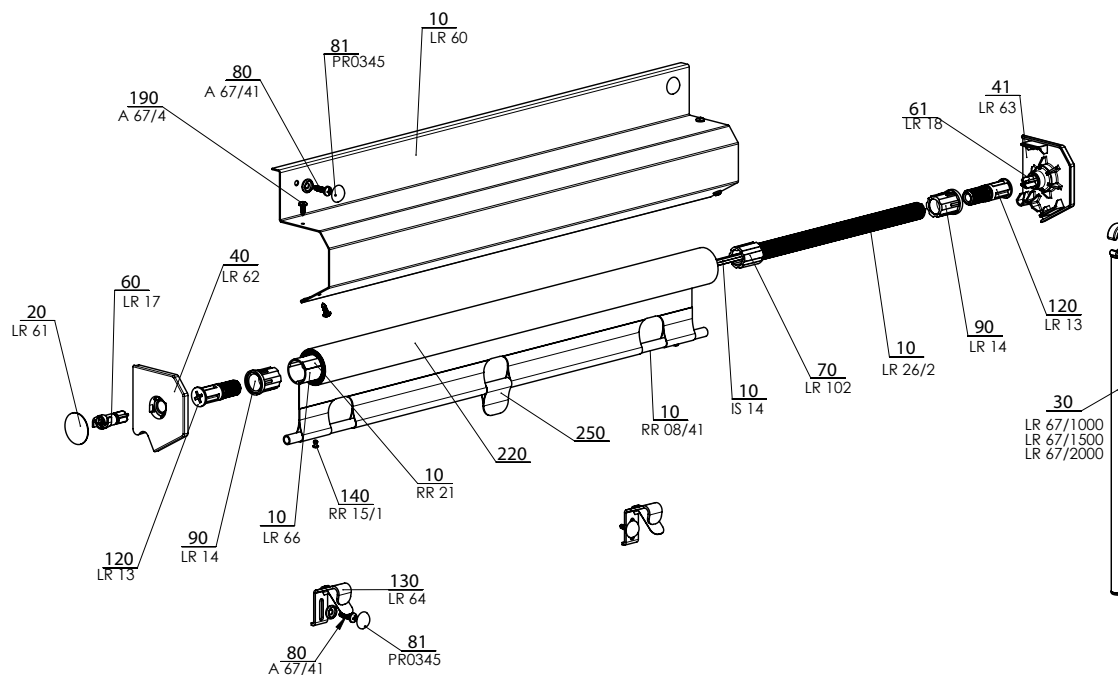


- ▲ Protezione efficace dai raggi solari e dal caldo,
- ▲ protezione contro le condizioni atmosferiche e la rumorosità esterna,
- ▲ piena funzionalità in qualsiasi posizione dell'anta della finestra,
- ▲ una larga scala di tessuti con vari gradi di permeabilità della luce,
- ▲ Classe resistenza al vento 2.

ISOTRA *Quality*

SCREEN SKY

Specificazione base del prodotto



Comando

Manuale - serve a tirare la tende a rullo da tetto su e giù

2-01013-XXXX-B

Specificazione

	Profilo di protezione	Cilindro d'avvolgimento	Montaggio
Denominazione commerciale	LR 60	RR 15/1	per placcare il telaio superiore della finestra del tetto
Dimensioni (mm)		Ø 22 mm	
Materiale	Al	Al	
Colore	Standard: RAL 9006 alluminio brillante RAL 9007 alluminio grigiastro RAL 9010 bianco puro RAL 7016 grigio antracite RAL 7016 grigio antracite struttura RAL 8014 marrone seppia gli altri colori RAL su richiesta	Grigio	

*eccetto i pezzi in plastica.

Versioni atipiche non si producono.

Dimensioni standard

Versione	Larghezza (mm)		Altezza (mm)		Area garantita (m ²)
	min.	max.	min.	max.	
madlo	400	1200	500	1600	1,9

Nota:

Lo strato oscurante della tenda a rullo schermante per finestre per tetti deve essere sempre orientata verso il sole. In caso di montaggio all'esterno, il vento forte potrebbe causare un leggero sollevamento del profilo inferiore e del tessuto. Con la tenda a rullo aperta, il profilo inferiore (tirante) è fissato con i ganci.

Fenomeni comuni di tessuti tecnici

Un'increspatura del tessuto pu  apparire intorno alle saldature o nel centro del tessuto perch  durante l'uso agiscono sul tessuto varie forze e perci  tale fenomeno   comune. Ne fa parte anche il cosiddetto "effetto da abete" quando il tessuto   increspato nella zona di cuciture. Dei visibili segni di pressione da parte del cilindro sul tessuto spariscono con temperature superiori, quando il tessuto si ripiana.

La lista inferiore non arriva fino al box.

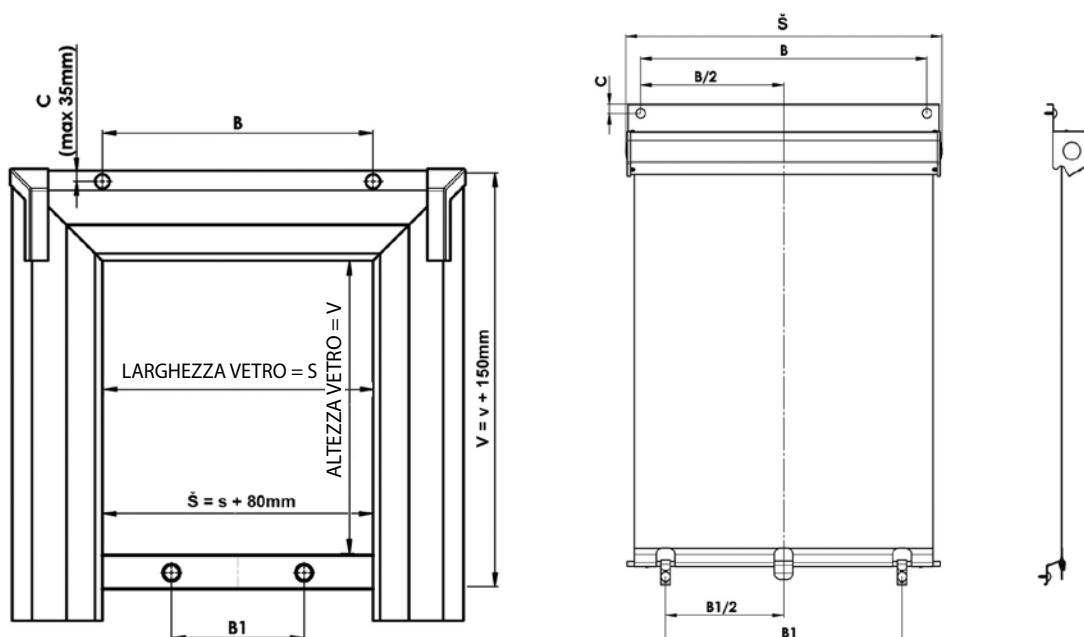
Screen Sky (2-01013-0000)

posizione	denominazione item	Denominazione commerciale	numero del disegno
10	Profili divisi - SCREEN - SKY		vedi Profili divisi
10/1	Coperchio screen - S	LR 60	3-02443-0000
10/30	Tube (D/N) Al - elox	RR 08/41	6-011163-PU52
10/102	Molla SINISTRA l=600/1,3	LR 26/2	7-301254-0000
10/110	Filo triangolare	IS 14	7-300050-0000
10/120	Nastro adesivo bipartito	RR 21	6-001310-0000
20	Coperchio del tenditore	LR 61 XXXX	3-02489-XXXX
30	L'asta di comando per Screen SKY - 1000 mm	LR 67/1000	2-01400-1000
30	L'asta di comando per Screen SKY - 1500 mm	LR 67/1500	2-01400-1500
30	L'asta di comando per Screen SKY - 2000 mm	LR 67/2000	2-01400-2000
40	Sponda in plastica D	LR 62 XXXX	3-02487-XXXX
41	Sponda in plastica S	LR 63 XXXX	3-02488-XXXX
60	Perno della tende a rullo - DESTRO	LR 17	3-00609-0000
61	Perno della tende a rullo - SINISTRO	LR 18	3-00610-0000
70	Vite interna	LR 102	3-01203-0000
80	Vite autofilettante ST 4,2x16	A 67/4	6-012661-0000
81	Coperchio della vite di due pezzi PVC - nero/marrone/grigio	PR0345/XX	6-002073-XXXX
90	Boccola	LR 14	3-00650-0000
120	Perno della molla	LR 13	3-00608-0000
130	Gancio	LR 64	7-302447-0000
140	Rivetto staccabile Al 4x6 DIN 7337 A	SC 142 0000	6-009908-0000
190	Vite 3,5x9,5 DIN 7504 M, Zn, con testa emisferica a croce	A 67/4	6-003096-0000
220	Tessuto screen		vedi il campionario SCREEN
250	Tirante SCREEN-S		3-02445-0000



BOX NA STŘEŠNÍ SCREEN 3-02443-XXXX-A

TENDE A RULLO DA TETTO SCREEN SKY



1. MISURAZIONE DELLA FINESTRA

Si raccomanda di eseguire la misurazione dalla parte esterna della finestra da tetto, e in particolare sulla placca. Se la finestra è dotata della targhetta di tipo, poi, nel modulo d'ordine, nella nota, potete indicare il nome e il tipo precisi della finestra da tetto per la verifica della correttezza dei valori misurati.

LARGHEZZA E LA POSIZIONE DEI GANCI INFERIORI DELLA TENDE A RULLO VANNO MISURATI IN MODO SEGUENTE: Larghezza (\hat{S}):

Misuriamo il diametro interno dell'anta della finestra (dimensioni del vetro v) e raccomandiamo di aggiungere al valore misurato al minimo 80mm per la sovrapposizione. **Il dato misurato totale (L) deve prendere in considerazione la forma e le dimensioni della placca della finestra da tetto misurata.** Il dato così misurato va inserito nel modulo d'ordine della tende a rullo. La larghezza della tende a rullo viene prodotta con precisione in millimetri, a partire dalla larghezza di 400 mm fino alla larghezza di 1200 mm.

NB: La larghezza del tessuto (l'area realmente oscurata) è minore di 22 mm del valore totale misurato della tende a rullo.

Se nel punto di attacco del box superiore, la finestra da tetto è dotata di viti di fissaggio attraverso la placcatura, misuriamo la spaziatura tra queste viti (B) e la distanza dal bordo superiore (C). Se la finestra da tetto non è dotata di queste viti di fissaggio, questo dato non va indicato.

Le dimensioni al di fuori dei limiti stabiliti vanno consultate con il produttore.

Altezza:

Misuriamo il diametro interno dell'anta della finestra (dimensioni della finestra v) e, al valore misurato, si consiglia di aggiungere al minimo 150mm per la copertura. **Il totale valore misurato (V) deve prendere in considerazione la forma e le dimensioni della placcatura della finestra da tetto misurata.**

Altezza massima dell'oscuramento è di 1600 mm.

Le dimensioni al di fuori dei limiti stabiliti vanno consultate con il produttore.

Posizione dei ganci inferiori:

Se la finestra da tetto, nella parte inferiore dell'anta, è dotata di viti di fissaggio attraverso la placcatura, misuriamo la spaziatura tra queste viti ($B1$). Se la finestra da tetto non è dotata di tali viti, poi questo dato non si indica e verrà aggiunto durante la produzione della tende a rullo.

NB: Se la finestra da tetto, nella parte inferiore dell'anta, è dotata di viti di fissaggio, la spaziatura tra queste viti va sempre indicata!

NEL MODULO D'ORDINE BISOGNA SPECIFICARE:

1. tutte le dimensioni consigliate
2. versione cromatica e il tipo di tessuto scelto
3. Denominazione + tipo della finestra + numero d'identificazione della finestra (nella nota del modulo d'ordine)

2. MONTAGGIO

Il montaggio va effettuato esclusivamente secondo le presenti istruzioni, così si evitano inutili errori di montaggio, eventualmente altri problemi a ciò legati.

ACCESSORI PER IL MONTAGGIO:

- trapano accumulatore
- cacciavite a croce PH 2
- coltello, forbici, tenaglie

Controllo:

- prima del montaggio si consiglia effettuare un controllo di tutti i pezzi alla consegna della merce, evitando così possibili problemi. Gli eventuali difetti, o obiezioni concernenti il montaggio oppure la tende a rullo stessa vanno comunicati al produttore.
- rimuovere dalla finestra da tetto tutti gli ostacoli che potrebbero impedire il montaggio.

MONTAGGIO STESSO:

- aprire la finestra da tetto in tale posizione che sia possibile effettuare il montaggio dagli esterni
- se la finestra da tetto è dotata di viti di fissaggio nel punto di attacco del box superiore della tende a rullo, poi tali viti vanno smontate (se la finestra non è dotata di tali viti di fissaggio, continuare con il passo seguente)
- accostare il box superiore della tende a rullo, assicurandolo al bordo superiore della placcatura e poi centrarlo all'asse della finestra
- avvitare il box della tende a rullo attraverso la rondella di plastica alla placcatura superiore del telaio della finestra con le viti consegnate (nel caso dei tipi delle finestre con le viti rimosse, usare esclusivamente questi fori e viti per l'attacco)
- alle rondelle di plastica degli elementi di ancoraggio, mettere i cappellini di copertura

ATTACCO DEI GANCI INFERIORI:

- se la finestra è dotata di viti di fissaggio nel punto di attacco dei ganci di fissaggio, poi tali viti vanno smontate
- se la finestra non è dotata di queste viti, misurare la spaziatura dei fori nella parte inferiore del tessuto della tende a rullo
- trasporre questa spaziatura alle ante placcate, in dipendenza dall'asse della finestra
- avvitare i ganci attraverso la rondella di plastica
- mettere i cappellini di copertura alle rondelle di plastica degli elementi di ancoraggio

COMPLETAMENTO:

- aprire la finestra da tetto in posizione massima e assicurare il profilo inferiore della tende a rullo con i ganci montati
- durante la chiusura della finestra, la tende a rullo si tirerà giù automaticamente.
- La tende a rullo è pronta all'uso.



ISOTRA a.s.

Bílovecká 2411/1, 746 01 Opava

Tel.: **+420 553 685 111**

E-mail: isotra@isotra.cz

www.isotra.it

Edizione: 06/2026

ISOTRA Partner



... proteggono la Vostra privacy.